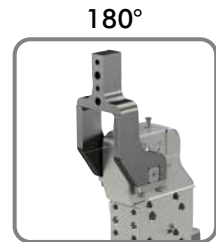
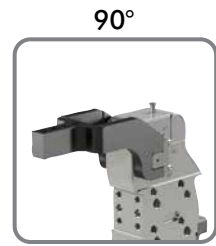
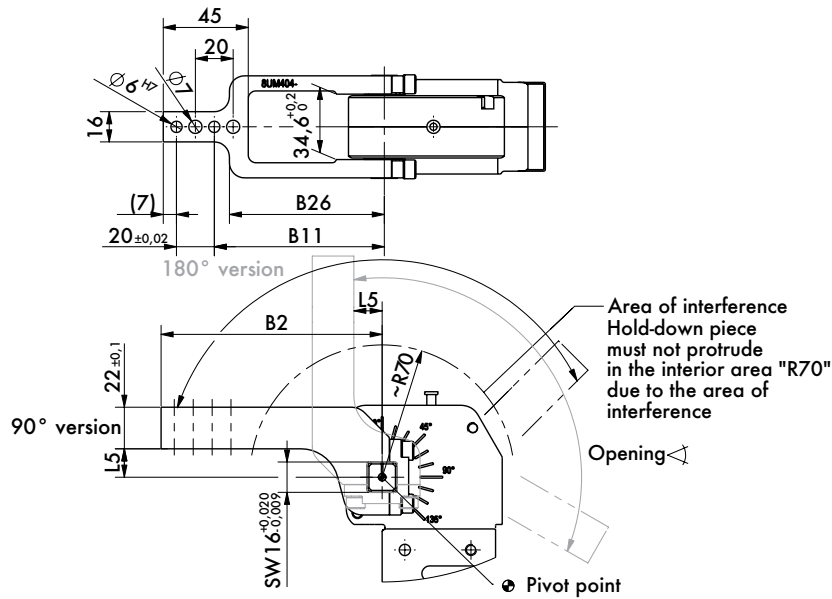


U-ARMS CENTER (ALUMINUM)

Enclosed Pneumatic Power Clamps | Heavy-Duty Modular | Dimensions and Technical Specifications

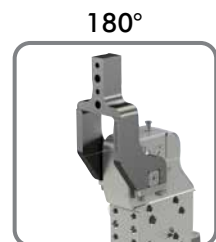
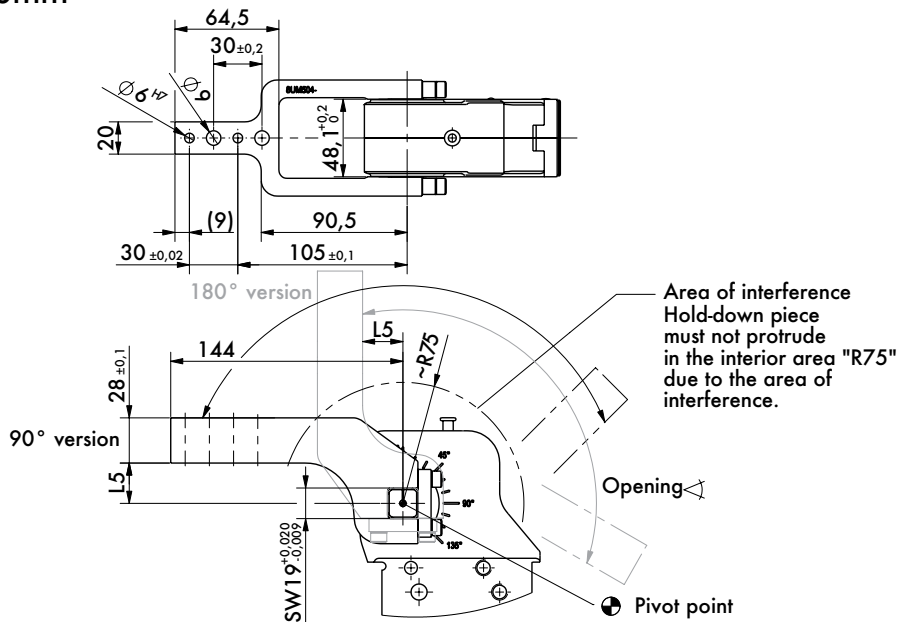
For Size 40mm



8UM404-00-117
8UM404-15-117
8UM404-25-117
8UM404-45-107

| Arm Model No. | Max. Opening 90° Version | Max. Opening 180° Version | Weight (kg) | B2 | B11 ±0,1 | B26 | L5 |
|---------------|--------------------------|---------------------------|-------------|-----|----------|-----|----|
| 8UM404-00-117 | | 105° | 0,23 | | | | 0 |
| 8UM404-15-117 | 135° | 120° | 0,24 | 117 | 90 | 82 | 15 |
| 8UM404-25-117 | | | 0,25 | | | | 25 |
| 8UM404-45-107 | 130° | 135° | 0,24 | 107 | 80 | 72 | 45 |

For Size 50mm



8UM504-15-144
8UM504-25-144
8UM504-45-144

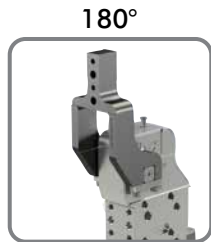
| Arm Model No. | Max. Opening 90° Version | Max. Opening 180° Version | Weight (kg) | L5 |
|---------------|--------------------------|---------------------------|-------------|----|
| 8UM504-15-144 | | 105° | 0,44 | 15 |
| 8UM504-25-144 | 135° | 120° | 0,45 | 25 |
| 8UM504-45-144 | | 135° | 0,48 | 45 |

U-ARMS CENTER (ALUMINUM)

Enclosed Pneumatic Power Clamps | Heavy-Duty Modular | Dimensions and Technical Specifications

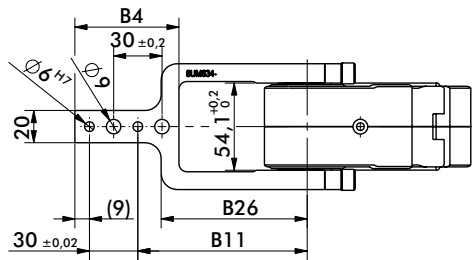


90°

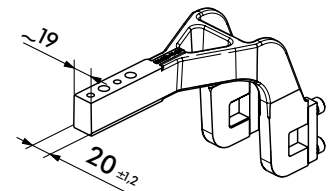


180°

8UM634-15-144
8UM634-25-144
8UM634-45-144
8UM631-75-204

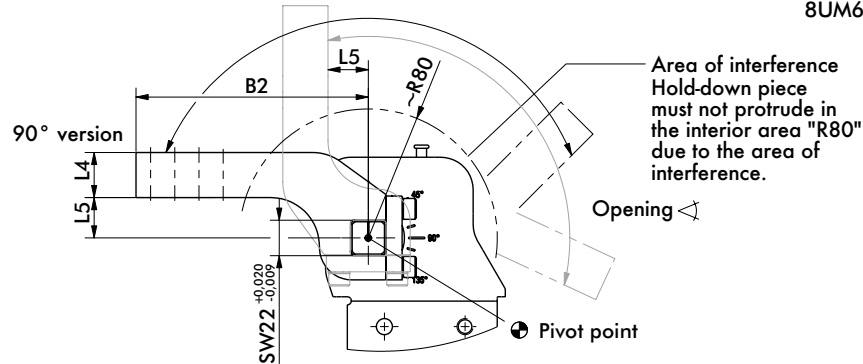


180° version



For Size 63mm

Dimensions are only for 8UM631-75-204

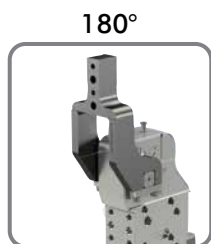


| Arm Model No. | Max. Opening 90° Version | Max. Opening 180° Version | Weight (kg) | B2 | B4 | B11 ±0,1 | B26 | L4 ±0,1 | L5 |
|----------------|--------------------------|---------------------------|-------------|-----|------|----------|------|---------|----|
| 8UM634-15-144 | 135° | 105° | 0,50 | | | | | | 15 |
| 8UM634-25-144 | | 120° | 0,53 | 144 | 64,5 | 105 | 90,5 | 28 | 25 |
| 8UM634-45-144 | | 135° | 0,56 | | | | | | 45 |
| 8UM631-75-204* | | 1,7 | 204 | 82 | 165 | 107 | 30 | 75 | |

* only steel version available.

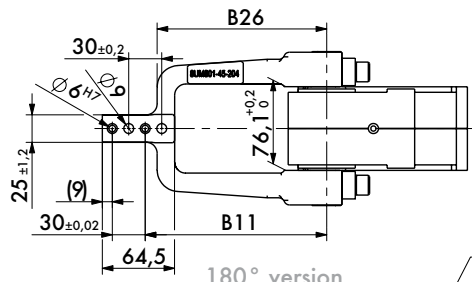


90°



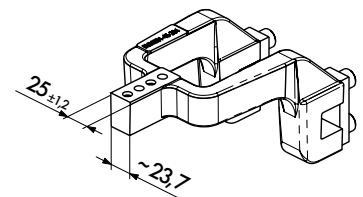
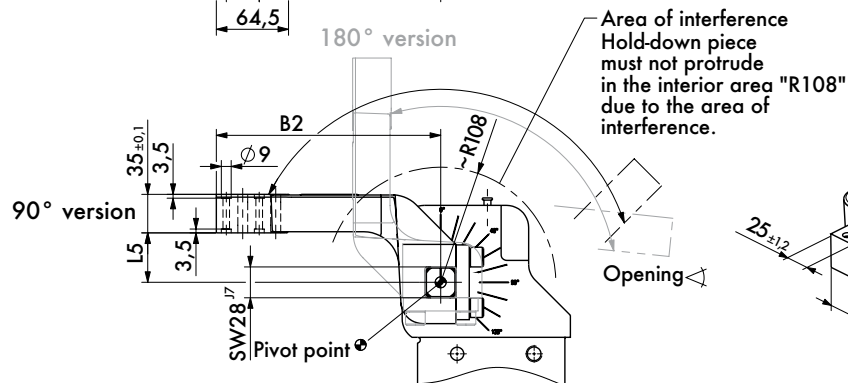
180°

8JG-169-2-01
8UM801-45-204



180° version

For Size 80mm



| Arm Model No. | Max. Opening 90° Version | Max. Opening 180° Version | Weight (kg) | B2 | B11 ±0,1 | B26 | L5** ±0,2 |
|----------------|--------------------------|---------------------------|-------------|-----|----------|-----|-----------|
| 8JG-169-2-01 | 135° | 105° | 3,5 | 179 | 140 | 129 | 20 |
| 8UM801-45-204* | | 135° | 4,1 | 204 | 165 | 154 | 45 |

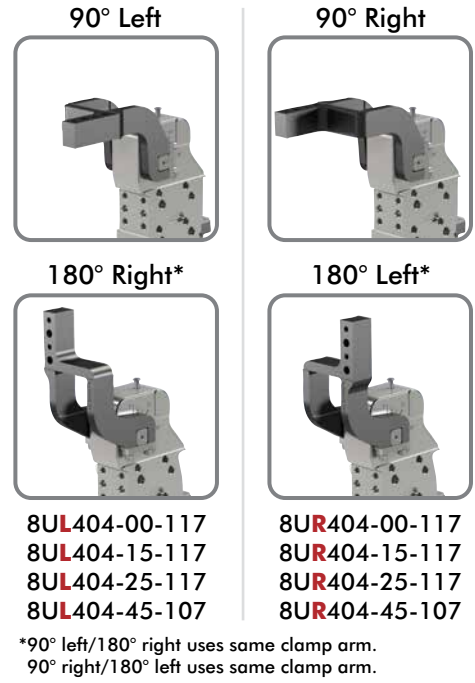
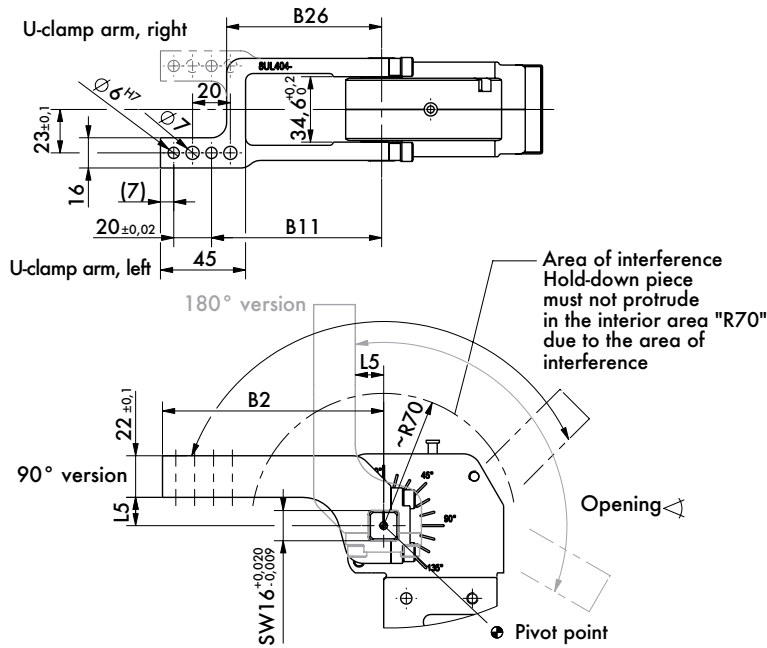
*only steel version available.

** Tolerance measured 80mm from pivot point.

U-ARMS OFFSET (ALUMINUM)

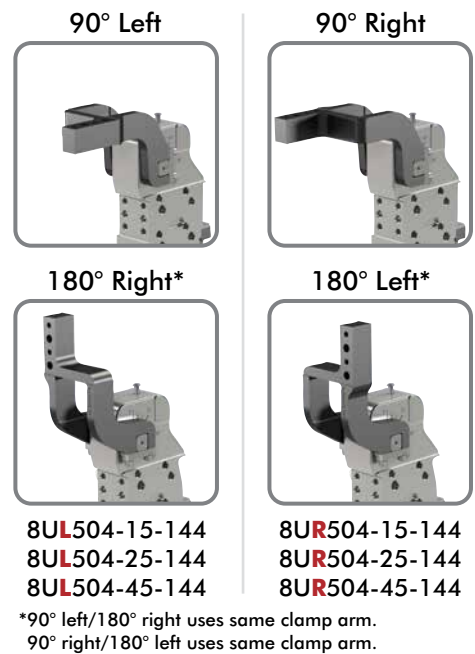
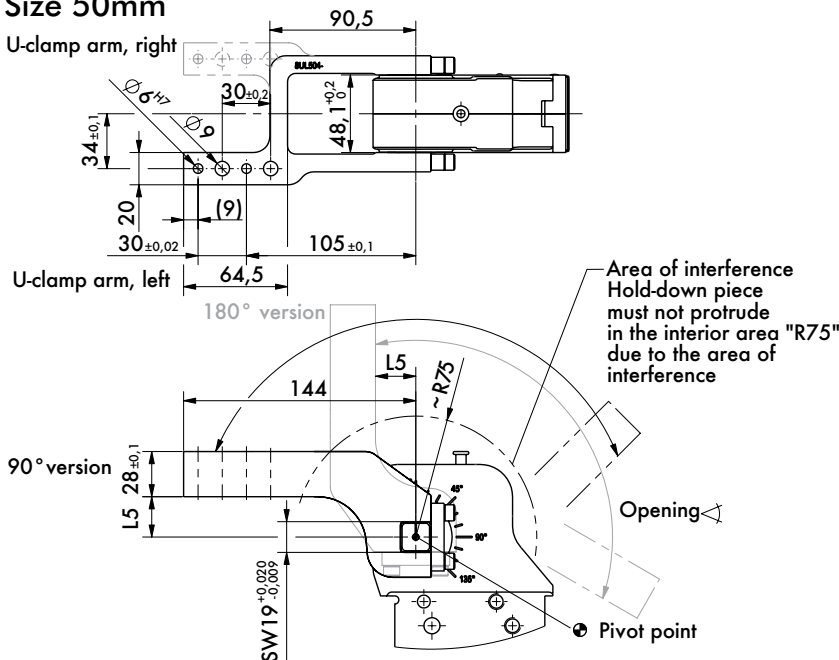
Enclosed Pneumatic Power Clamps | Heavy-Duty Modular | Dimensions and Technical Specifications

For Size 40mm



| Arm Model No. | Max. Opening 90° Version | Max. Opening 180° Version | Weight (kg) | B2 | B11 ±0,1 | B26 | L5 |
|-----------------|--------------------------|---------------------------|-------------|-----|----------|-----|----|
| 8U(•)404-00-117 | | 105° | 0,23 | | | | 0 |
| 8U(•)404-15-117 | 135° | 120° | 0,24 | 117 | 90 | 82 | 15 |
| 8U(•)404-25-117 | | 135° | 0,25 | | | | 25 |
| 8U(•)404-45-107 | 130° | | 0,25 | 107 | 80 | 72 | 45 |

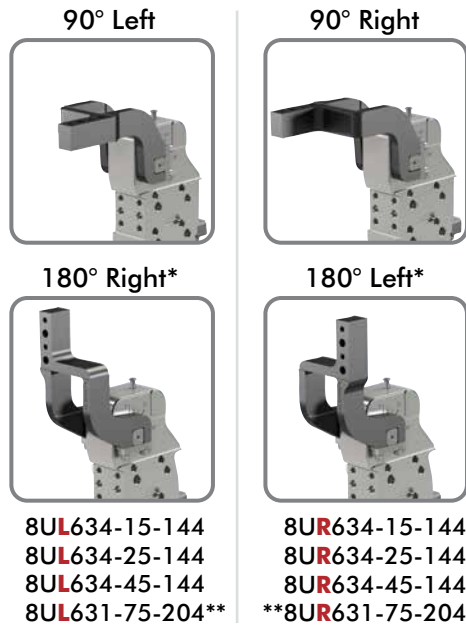
For Size 50mm



| Arm Model No. | Max. Opening 90° Version | Max. Opening 180° Version | Weight (kg) | L5 |
|-----------------|--------------------------|---------------------------|-------------|----|
| 8U(•)504-15-144 | | 105° | 0,45 | 15 |
| 8U(•)504-25-144 | 135° | 120° | 0,46 | 25 |
| 8U(•)504-45-144 | | 135° | 0,49 | 45 |

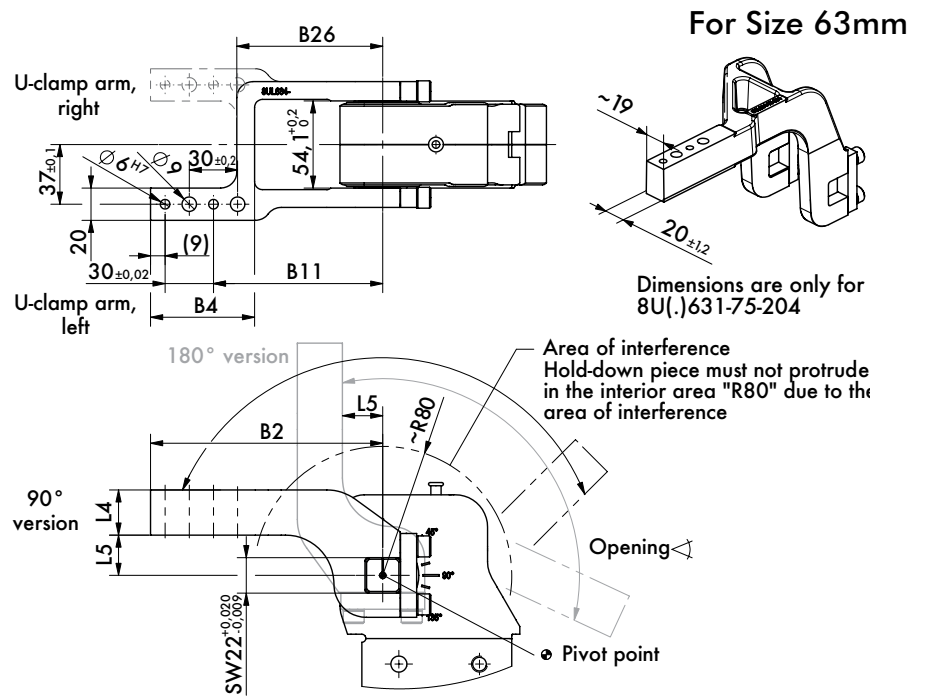
U-ARMS OFFSET (ALUMINUM)

Enclosed Pneumatic Power Clamps | Heavy-Duty Modular | Dimensions and Technical Specifications



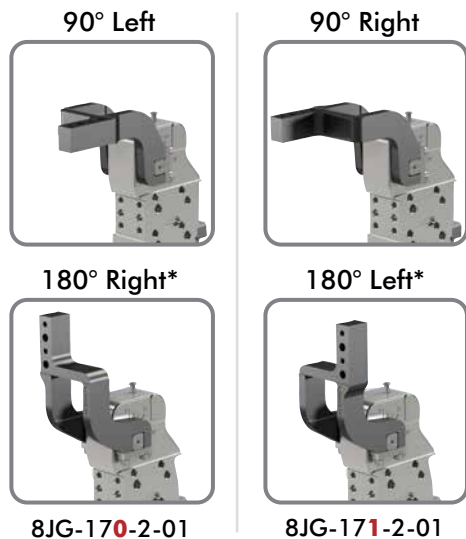
8UL634-15-144 **8UR634-15-144**
8UL634-25-144 **8UR634-25-144**
8UL634-45-144 **8UR634-45-144**
8UL631-75-204** ***8UR631-75-204**

*90° left/180° right uses same clamp arm.
90° right/180° left uses same clamp arm.



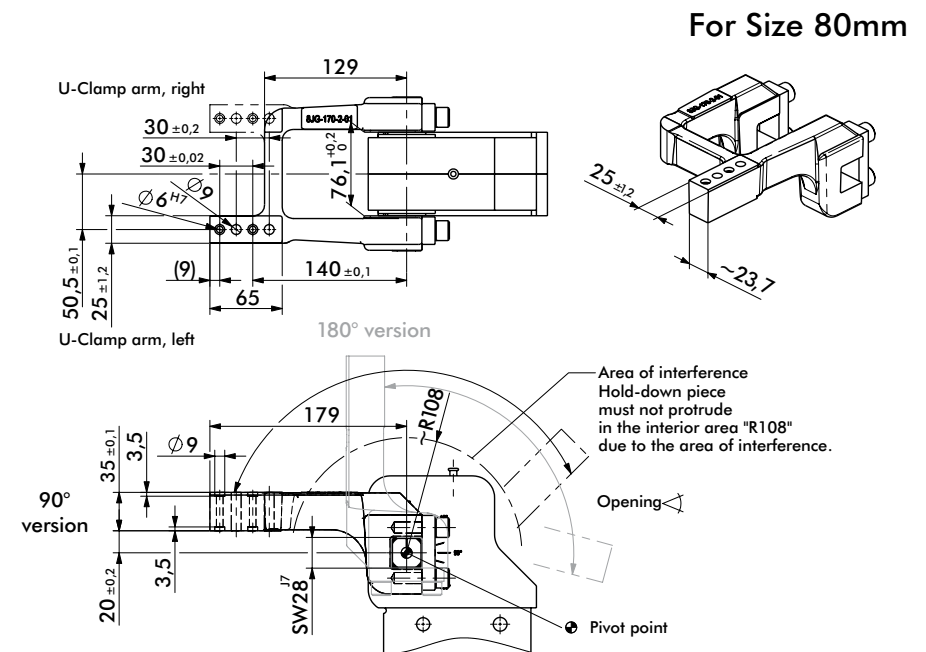
| Arm Model No. | Max. Opening 90° Version | Max. Opening 180° Version | Weight (kg) | B2 | B4 | B11 ±0,1 | B26 | L4 ±0,1 | L5 |
|-------------------|--------------------------|---------------------------|-------------|-----|------|----------|------|---------|-----|
| 8U(.)634-15-144 | 135° | 105° | 0,52 | 144 | 64,5 | 105 | 90,5 | 28 | 15 |
| 8U(.)634-25-144 | | 120° | 0,54 | | | | | | 25 |
| 8U(.)634-45-144 | | 0,58 | 45 | | | | | | |
| 8U(.)631-75-204** | | 135° | 1,9 | | | | | | 204 |

** only steel version available.



8JG-170-2-01 **8JG-171-2-01**

*90° left/180° right uses same clamp arm.
90° right/180° left uses same clamp arm.



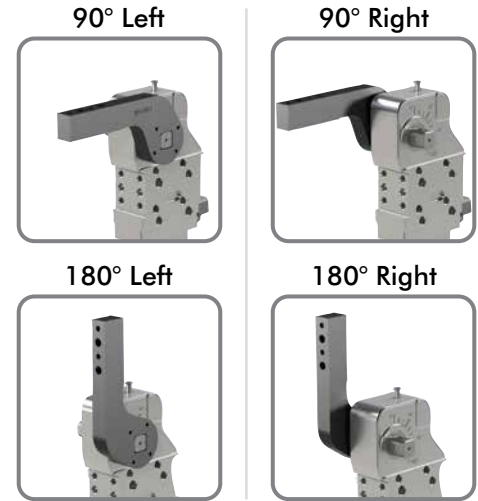
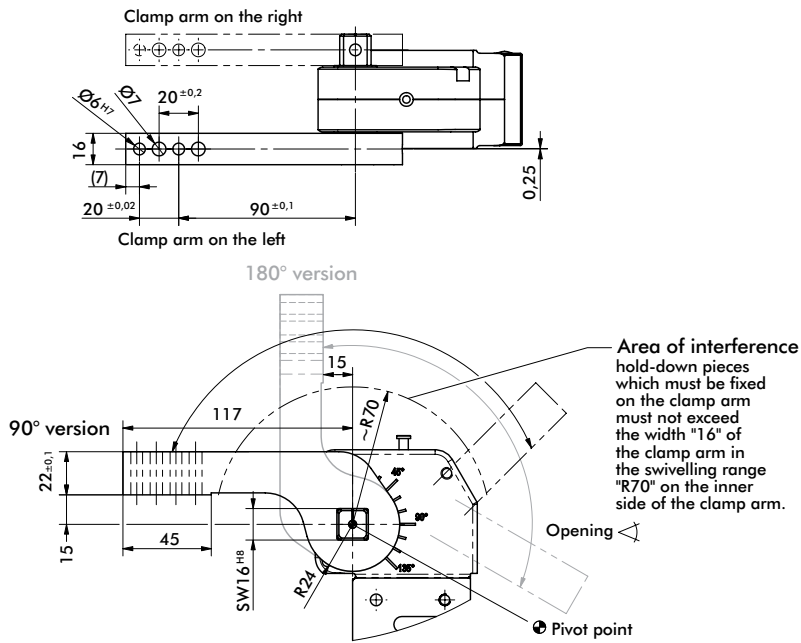
| Arm Model No. | Max. Opening 90° Version | Max. Opening 180° Version | Weight (kg) |
|-----------------|--------------------------|---------------------------|-------------|
| 8JG-17(.)2-01** | 135° | 105° | 3,5 |

**only steel version available.

LATERAL (SIDE) ARMS

Enclosed Pneumatic Power Clamps | Heavy-Duty Modular | Dimensions and Technical Specifications

For Size 40mm

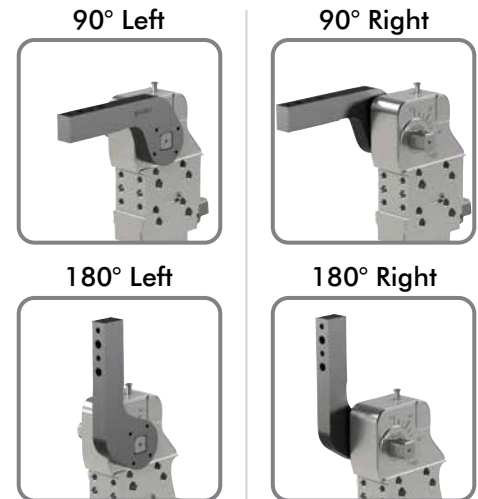
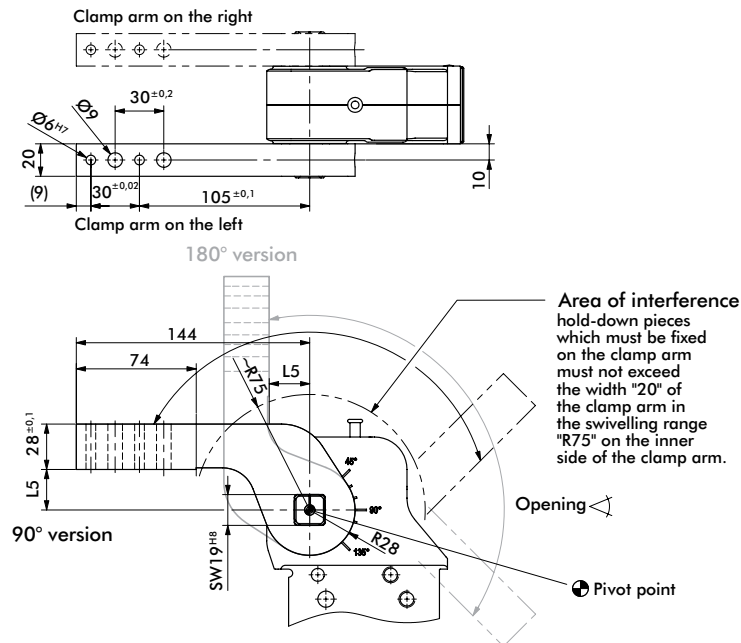


8S401-15-117

| Arm Model No. | Max. Opening 90° Version | Max. Opening 180° Version | Weight (kg) |
|---------------|--------------------------|---------------------------|-------------|
| 8S401-15-117 | 135° | 120° | 0,5 |

Models with 2 lateral clamp arms requires 2 clamp arm sets.

For Size 50mm



8JG-070-1-01
8S501-25-144

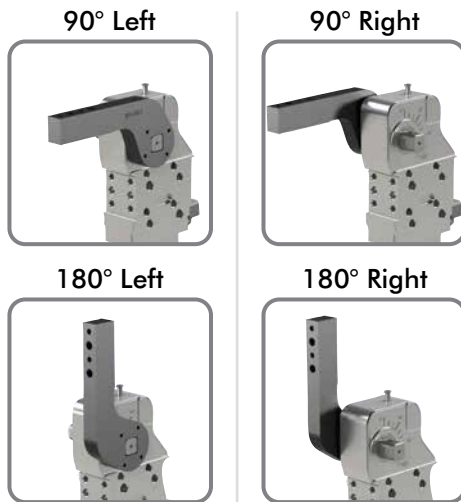
| Arm Model No. | Max. Opening 90° Version | Max. Opening 180° Version | Weight (kg) | L5 |
|---------------|--------------------------|---------------------------|-------------|----|
| 8JG-070-1-01 | 135° | 135° | 0,9 | 15 |
| 8S501-25-144 | | | 1,0 | 25 |

Models with 2 lateral clamp arms requires 2 clamp arm sets.

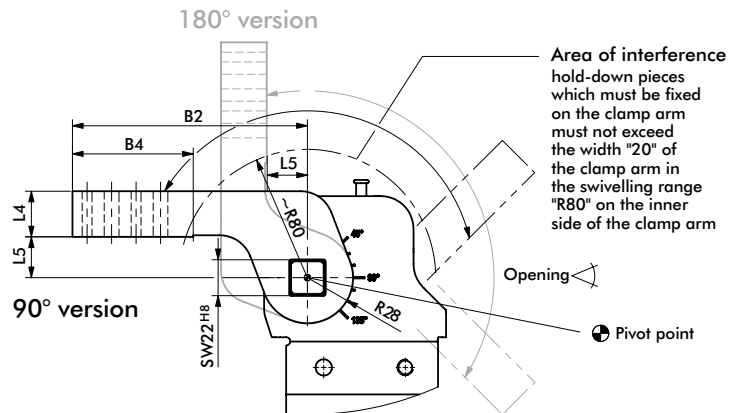
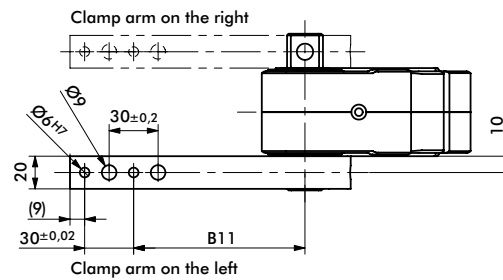
LATERAL (SIDE) ARMS

Enclosed Pneumatic Power Clamps | Heavy-Duty Modular | Dimensions and Technical Specifications

For Size 63mm



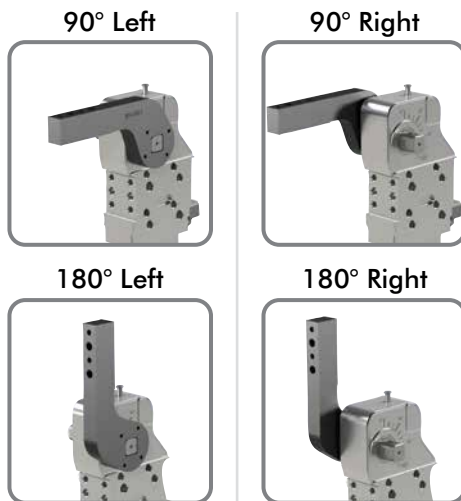
8JG-080-1-01
8S631-25-144
8S631-45-144
8S631-75-204



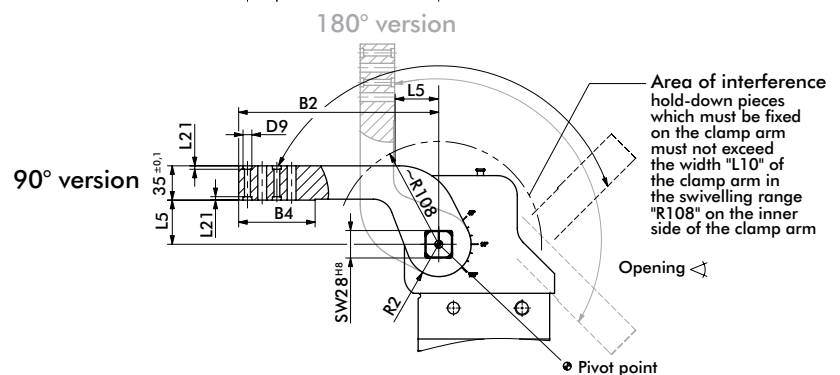
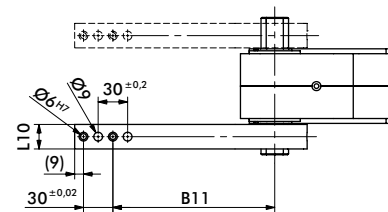
| Arm Model No. | Max. Opening 90° Version | Max. Opening 180° Version | Weight (kg) | B2 | B4 | B11 ±0,1 | L4 ±0,1 | L5 |
|---------------|--------------------------|---------------------------|-------------|-----|----|----------|---------|----|
| 8JG-080-1-01 | 135° | 135° | 0,9 | 144 | 74 | 105 | 28 | 15 |
| 8S631-25-144 | | | 1,0 | | | | | 25 |
| 8S631-45-144 | | | 1,1 | | | | | 45 |
| 8S631-75-204 | | | 1,5 | | | | | 75 |

Models with 2 lateral clamp arms requires 2 clamp arm sets.

For Size 80mm



8JG-1179-1-01
8S801-45-204



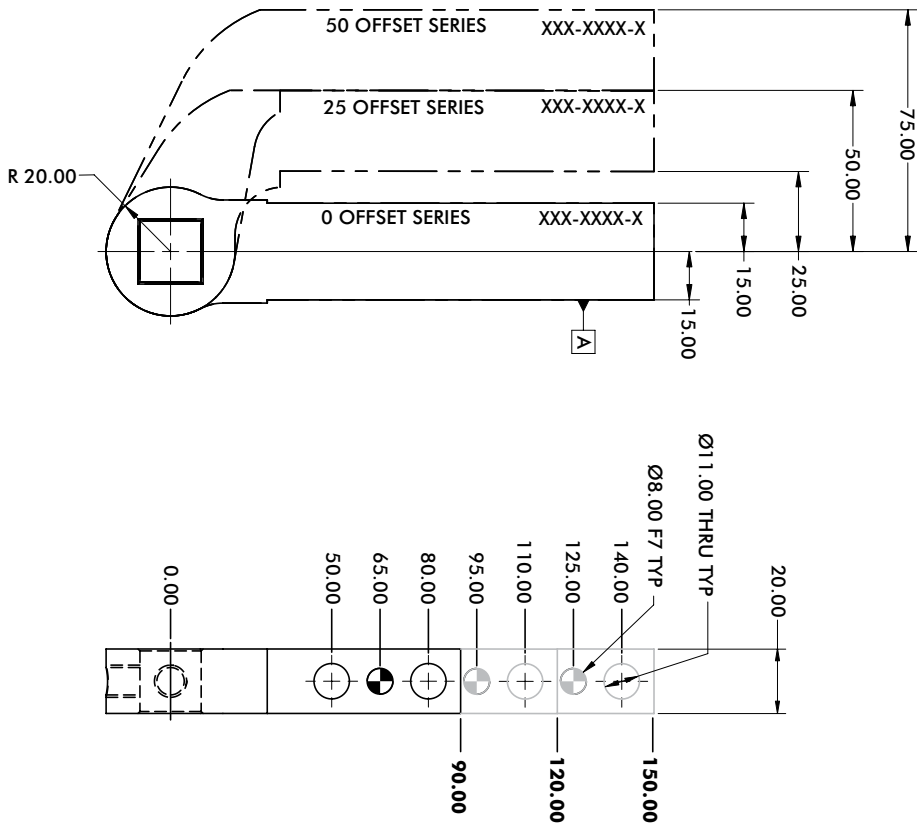
| Arm Model No. | Max. Opening 90° Version | Max. Opening 180° Version | Weight (kg) | B2 | B4 | D9 | B11 ±0,1 | L5 | L10 | L21 | R2 |
|---------------|--------------------------|---------------------------|-------------|-----|----|----|----------|----|-----|-----|----|
| 8JG-1179-1-01 | 135° | 135° | 2,1 | 179 | 74 | - | 140 | 20 | 30 | - | 35 |
| 8S801-45-204 | | | | 204 | 78 | 9 | 165 | 45 | 25 | 3,5 | 33 |

Models with 2 lateral clamp arms requires 2 clamp arm sets.

LATERAL (SIDE) ARMS, NAAMS-STYLE

Enclosed Pneumatic Power Clamps | Heavy-Duty Modular | Dimensions and Technical Specifications

For Size 50mm



9mm Thru Hole (6.00 H7 Dowel)

| 90mm [3.54"] Arm Length | | | 120mm [4.72"] Arm Length | | | 150mm [5.90"] Arm Length | | |
|-------------------------|-----------|-------------|--------------------------|-----------|-------------|--------------------------|-----------|-------------|
| Series | Arm Style | Model | Series | Arm Style | Model | Series | Arm Style | Model |
| 50 Offset | ▲ • 3256 | B8JG-3256-1 | 50 Offset | ▲ • 3257 | B8JG-3257-1 | 50 Offset | ▲ • 3258 | B8JG-3258-1 |
| 25 Offset | ▲ • 3246 | B8JG-3246-1 | 25 Offset | ▲ • 3247 | B8JG-3247-1 | 25 Offset | ▲ • 3248 | B8JG-3248-1 |
| 0 Offset | ▲ • 3236 | B8JG-3236-1 | 0 Offset | ▲ • 3237 | B8JG-3237-1 | 0 Offset | ▲ • 3238 | B8JG-3238-1 |

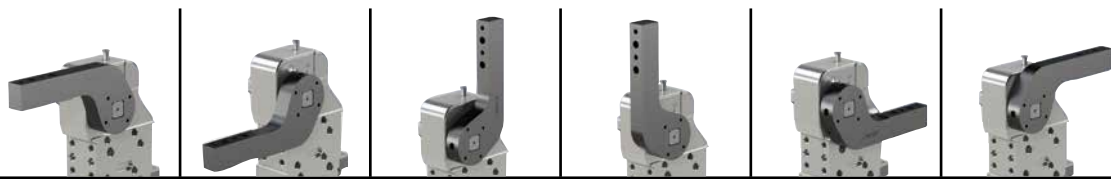
11mm Thru Hole (8.00 F7 Dowel)

| 90mm [3.54"] Arm Length | | | 120mm [4.72"] Arm Length | | | 150mm [5.90"] Arm Length | | |
|-------------------------|-----------|-------------|--------------------------|-----------|-------------|--------------------------|-----------|-------------|
| Series | Arm Style | Model | Series | Arm Style | Model | Series | Arm Style | Model |
| 50 Offset | ▲ • 1226 | B8JG-1226-1 | 50 Offset | ▲ • 1227 | B8JG-1227-1 | 50 Offset | ▲ • 1228 | B8JG-1228-1 |
| 25 Offset | ▲ • 1216 | B8JG-1216-1 | 25 Offset | ▲ • 1217 | B8JG-1217-1 | 25 Offset | ▲ • 1218 | B8JG-1218-1 |
| 0 Offset | ▲ • 1206 | B8JG-1206-1 | 0 Offset | ▲ • 1207 | B8JG-1207-1 | 0 Offset | ▲ • 1208 | B8JG-1208-1 |

▲ Common in North America

(•) STANDARD ARM OFFERING

Maximum Opening Angle (shown in locked position)

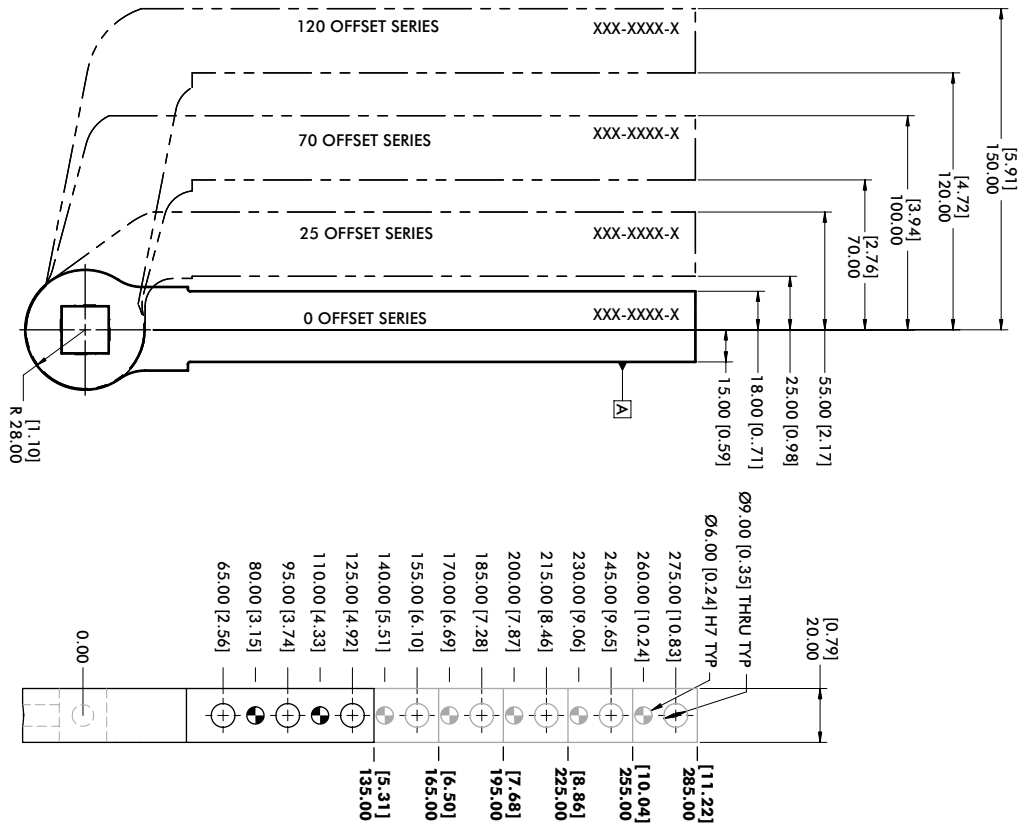


| Arm Styles | 1206-1208/3236-3238 | 1216-1218/3246-3248 | 1226-1228/3256-3258 | 1206-1207 | 1207-1208 | 1216-1217 | 1217-1218 | 1226-1227 | 1227-1228 | 1236-1237 | 1237-1238 |
|---------------------|---------------------|---------------------|---------------------|-----------|-----------|-----------|-----------|-----------|-----------|-----------|-----------|
| 1206-1208/3236-3238 | 135° | 135° | 100° | 100° | N/A | N/A | N/A | | | | |
| 1216-1218/3246-3248 | 135° | N/A | 50° | 125° | N/A | 30° | | | | | |
| 1226-1228/3256-3258 | 125° | N/A | 35° | 135° | N/A | 50° | | | | | |

LATERAL (SIDE) ARMS, NAAMS-STYLE

Enclosed Pneumatic Power Clamps | Heavy-Duty Modular | Dimensions and Technical Specifications

For Size 63mm with 23 Clamp Arm Shaft Option



135mm [5.31"] Arm Length

| Series | Arm Style | Model |
|------------|-----------|-------------|
| 120 Offset | ▲ 1543 | B8JG-1543-1 |
| 70 Offset | ▲ 1531 | B8JG-1531-1 |
| 25 Offset | ▲ 1519 | B8JG-1519-1 |
| 0 Offset | ▲ 1507 | B8JG-1507-1 |

165mm [6.50"] Arm Length

| Series | Arm Style | Model |
|------------|-----------|-------------|
| 120 Offset | ▲ 1544 | B8JG-1544-1 |
| 70 Offset | ▲ 1532 | B8JG-1532-1 |
| 25 Offset | ▲ 1520 | B8JG-1520-1 |
| 0 Offset | ▲ 1508 | B8JG-1508-1 |

195mm [7.68"] Arm Length

| Series | Arm Style | Model |
|------------|-----------|-------------|
| 120 Offset | ▲ 1545 | B8JG-1545-1 |
| 70 Offset | ▲ 1533 | B8JG-1533-1 |
| 25 Offset | ▲ 1521 | B8JG-1521-1 |
| 0 Offset | ▲ 1509 | B8JG-1509-1 |

225mm [8.86"] Arm Length

| Series | Arm Style | Model |
|------------|-----------|-------------|
| 120 Offset | ▲ 1546 | B8JG-1546-1 |
| 70 Offset | ▲ 1534 | B8JG-1534-1 |
| 25 Offset | ▲ 1522 | B8JG-1522-1 |
| 0 Offset | ▲ 1510 | B8JG-1510-1 |

255mm [10.04"] Arm Length

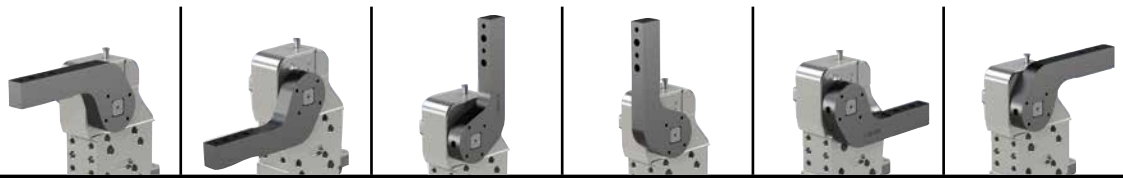
| Series | Arm Style | Model |
|------------|-----------|-------------|
| 120 Offset | ▲ 1547 | B8JG-1547-1 |
| 70 Offset | ▲ 1535 | B8JG-1535-1 |
| 25 Offset | ▲ 1523 | B8JG-1523-1 |
| 0 Offset | ▲ 1511 | B8JG-1511-1 |

285mm [11.22"] Arm Length

| Series | Arm Style | Model |
|------------|-----------|-------------|
| 120 Offset | ▲ 1548 | B8JG-1548-1 |
| 70 Offset | ▲ 1536 | B8JG-1536-1 |
| 25 Offset | ▲ 1524 | B8JG-1524-1 |
| 0 Offset | ▲ 1512 | B8JG-1512-1 |

▲ Common in North America

Maximum Opening Angle (shown in locked position)

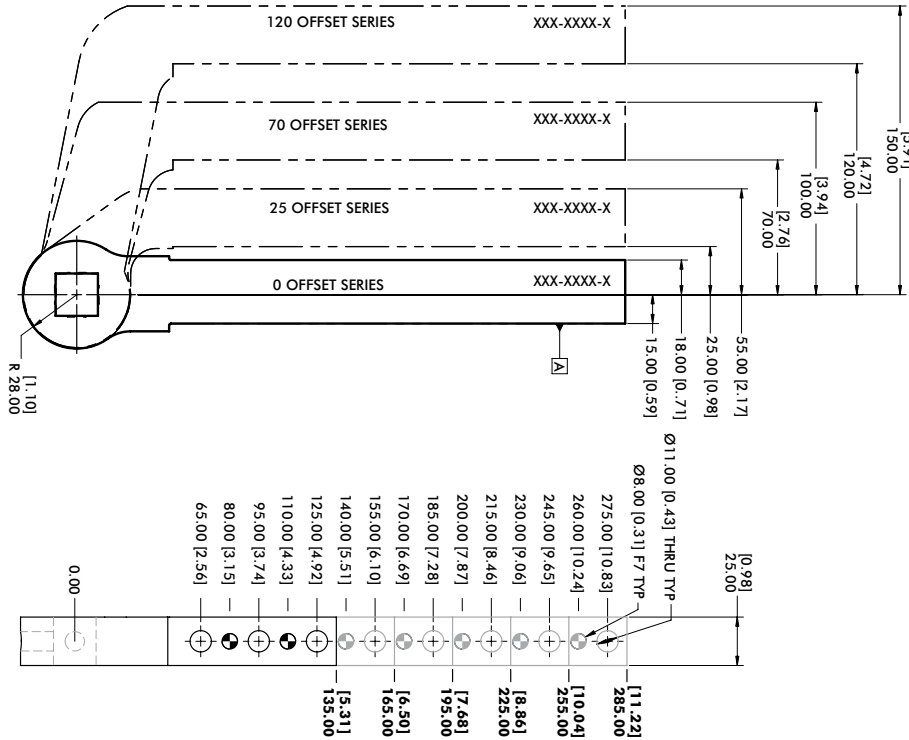


| Arm Styles | 1 | 2 | 3 | 4 | 5 | 6 |
|---------------------|------|------|------|------|-----|-----|
| 1510-1512/1507-1509 | 135° | 135° | 100° | 100° | N/A | N/A |
| 1522-1524/1519-1521 | 135° | N/A | 50° | 130° | N/A | 40° |
| 1534-1536/1531-1533 | 115° | N/A | 25° | 135° | N/A | 75° |
| 1546-1548/1543-1545 | 110° | N/A | 20° | 135° | N/A | 85° |

LATERAL (SIDE) ARMS, NAAMS-STYLE

Enclosed Pneumatic Power Clamps | Heavy-Duty Modular | Dimensions and Technical Specifications

For Size 63mm with D0 Clamp Arm Shaft Option



135mm [5.31"] Arm Length

| Series | Arm Style | Model |
|------------|-----------|-------------|
| 120 Offset | ▲ • 1043 | B8JG-1043-1 |
| 70 Offset | ▲ • 1031 | B8JG-1031-1 |
| 25 Offset | ▲ • 1019 | B8JG-1019-1 |
| 0 Offset | ▲ • 1007 | B8JG-1007-1 |

165mm [6.50"] Arm Length

| Series | Arm Style | Model |
|------------|-----------|-------------|
| 120 Offset | ▲ ⓘ 1044 | B8JG-1044-1 |
| 70 Offset | ▲ • 1032 | B8JG-1032-1 |
| 25 Offset | ▲ • 1020 | B8JG-1020-1 |
| 0 Offset | ▲ • 1008 | B8JG-1008-1 |

195mm [7.68"] Arm Length

| Series | Arm Style | Model |
|------------|-----------|-------------|
| 120 Offset | ▲ ⓘ 1045 | B8JG-1045-1 |
| 70 Offset | ▲ • 1033 | B8JG-1033-1 |
| 25 Offset | ▲ ⓘ 1021 | B8JG-1021-1 |
| 0 Offset | ▲ • 1009 | B8JG-1009-1 |

225mm [8.86"] Arm Length

| Series | Arm Style | Model |
|------------|-----------|-------------|
| 120 Offset | ▲ ⓘ 1046 | B8JG-1046-1 |
| 70 Offset | ▲ • 1034 | B8JG-1034-1 |
| 25 Offset | ▲ ⓘ 1022 | B8JG-1022-1 |
| 0 Offset | ▲ ⓘ 1010 | B8JG-1010-1 |

255mm [10.04"] Arm Length

| Series | Arm Style | Model |
|------------|-----------|-------------|
| 120 Offset | ▲ ⓘ 1047 | B8JG-1047-1 |
| 70 Offset | ▲ • 1035 | B8JG-1035-1 |
| 25 Offset | ▲ ⓘ 1023 | B8JG-1023-1 |
| 0 Offset | ▲ ⓘ 1011 | B8JG-1011-1 |

285mm [11.22"] Arm Length

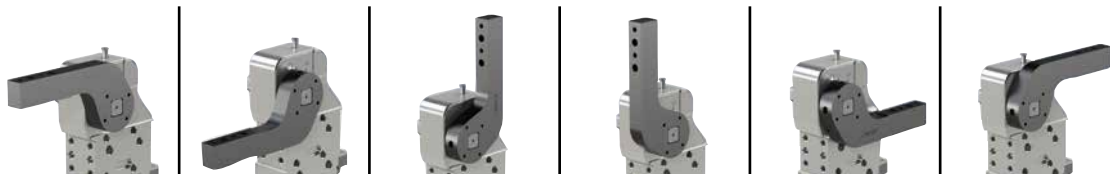
| Series | Arm Style | Model |
|------------|-----------|-------------|
| 120 Offset | ▲ ⓘ 1048 | B8JG-1048-1 |
| 70 Offset | ▲ ⓘ 1036 | B8JG-1036-1 |
| 25 Offset | ▲ ⓘ 1024 | B8JG-1024-1 |
| 0 Offset | ▲ ⓘ 1012 | B8JG-1012-1 |

▲ Common in North America

(•) STANDARD ARM OFFERING

(ⓘ) NON-STANDARD ARM OFFERING (extended leadtimes apply)

Maximum Opening Angle (shown in locked position)

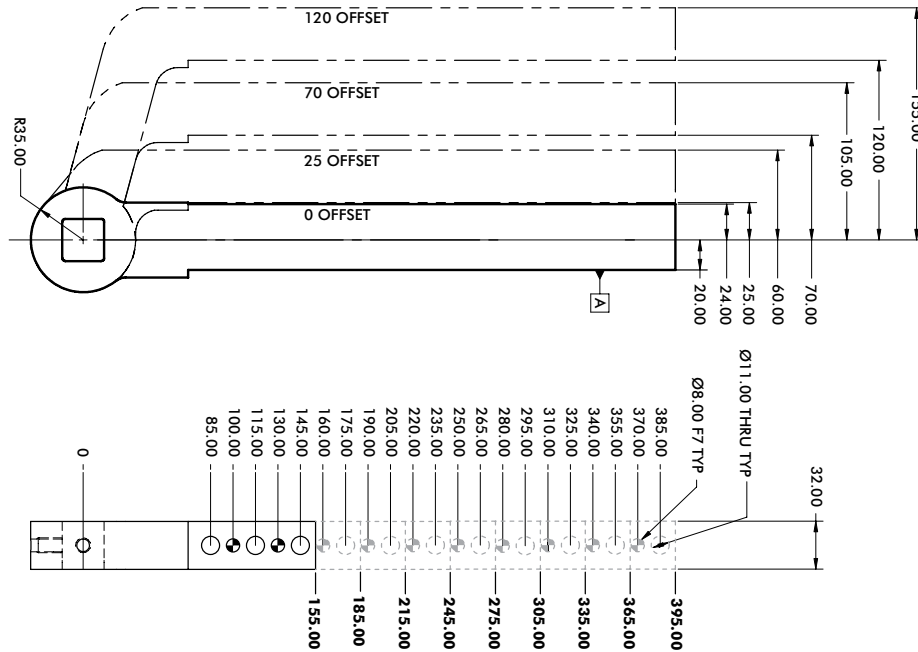


| Arm Styles | 1 | 2 | 3 | 4 | 5 | 6 |
|---------------------|------|------|------|------|-----|-----|
| 1010-1012/1007-1009 | 135° | 135° | 100° | 100° | N/A | N/A |
| 1022-1024/1019-1021 | 135° | N/A | 50° | 130° | N/A | 40° |
| 1034-1036/1031-1033 | 115° | N/A | 25° | 135° | N/A | 75° |
| 1046-1048/1043-1045 | 110° | N/A | 20° | 135° | N/A | 85° |

LATERAL (SIDE) ARMS, NAAMS-STYLE

Enclosed Pneumatic Power Clamps | Heavy-Duty Modular | Dimensions and Technical Specifications

For Size 80mm



155mm [4.53"] Arm Length

| Series | Arm Style | Model |
|------------|-----------|-------------|
| 120 Offset | ▲ ⓘ 1170 | B8JG-1170-1 |
| 70 Offset | ▲ • 1150 | B8JG-1150-1 |
| 25 Offset | ▲ ⓘ 1130 | B8JG-1130-1 |
| 0 Offset | ▲ ⓘ 1110 | B8JG-1110-1 |

185mm [7.28"] Arm Length

| Series | Arm Style | Model |
|------------|-----------|-------------|
| 120 Offset | ▲ ⓘ 1171 | B8JG-1171-1 |
| 70 Offset | ▲ ⓘ 1151 | B8JG-1151-1 |
| 25 Offset | ▲ ⓘ 1131 | B8JG-1131-1 |
| 0 Offset | ▲ ⓘ 1111 | B8JG-1111-1 |

215mm [8.46"] Arm Length

| Series | Arm Style | Model |
|------------|-----------|-------------|
| 120 Offset | ▲ ⓘ 1172 | B8JG-1172-1 |
| 70 Offset | ▲ ⓘ 1152 | B8JG-1152-1 |
| 25 Offset | ▲ ⓘ 1132 | B8JG-1132-1 |
| 0 Offset | ▲ • 1112 | B8JG-1112-1 |

245mm [9.65"] Arm Length

| Series | Arm Style | Model |
|------------|-----------|-------------|
| 120 Offset | ▲ ⓘ 1173 | B8JG-1173-1 |
| 70 Offset | ▲ ⓘ 1153 | B8JG-1153-1 |
| 25 Offset | ▲ ⓘ 1133 | B8JG-1133-1 |
| 0 Offset | ▲ ⓘ 1113 | B8JG-1113-1 |

275mm [10.83"] Arm Length

| Series | Arm Style | Model |
|------------|-----------|-------------|
| 120 Offset | ▲ ⓘ 1174 | B8JG-1174-1 |
| 70 Offset | ▲ ⓘ 1154 | B8JG-1154-1 |
| 25 Offset | ▲ • 1134 | B8JG-1134-1 |
| 0 Offset | ▲ ⓘ 1114 | B8JG-1114-1 |

305mm [12.00"] Arm Length

| Series | Arm Style | Model |
|------------|-----------|-------------|
| 120 Offset | ▲ ⓘ 1175 | B8JG-1175-1 |
| 70 Offset | ▲ • 1155 | B8JG-1155-1 |
| 25 Offset | ▲ ⓘ 1135 | B8JG-1135-1 |
| 0 Offset | ▲ ⓘ 1115 | B8JG-1115-1 |

335mm [13.19"] Arm Length

| Series | Arm Style | Model |
|------------|-----------|-------------|
| 120 Offset | ▲ ⓘ 1176 | B8JG-1176-1 |
| 70 Offset | ▲ ⓘ 1156 | B8JG-1156-1 |
| 25 Offset | ▲ ⓘ 1136 | B8JG-1136-1 |
| 0 Offset | ▲ ⓘ 1116 | B8JG-1116-1 |

365mm [14.37"] Arm Length

| Series | Arm Style | Model |
|------------|-----------|-------------|
| 120 Offset | ▲ ⓘ 1177 | B8JG-1177-1 |
| 70 Offset | ▲ ⓘ 1157 | B8JG-1157-1 |
| 25 Offset | ▲ ⓘ 1137 | B8JG-1137-1 |
| 0 Offset | ▲ ⓘ 1117 | B8JG-1117-1 |

395mm [15.55"] Arm Length

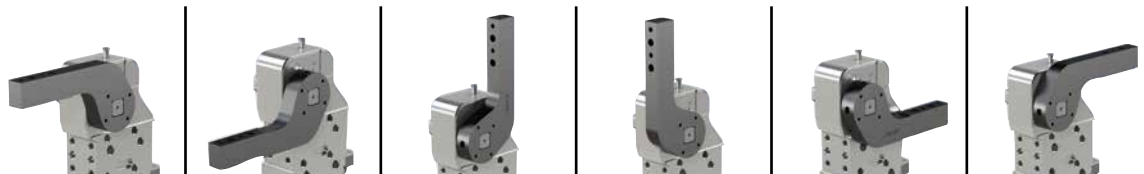
| Series | Arm Style | Model |
|------------|-----------|-------------|
| 120 Offset | ▲ ⓘ 1178 | B8JG-1178-1 |
| 70 Offset | ▲ • 1158 | B8JG-1158-1 |
| 25 Offset | ▲ ⓘ 1138 | B8JG-1138-1 |
| 0 Offset | ▲ • 1118 | B8JG-1118-1 |

▲ Common in North America

(•) STANDARD ARM OFFERING

ⓘ NON-STANDARD ARM OFFERING (extended leadtimes apply)

Maximum Opening Angle (shown in locked position)



| Arm Styles | 1110 - 1118 | 1130 - 1138 | 1150 - 1158 | 1170 - 1178 | 1190 - 1198 | 1210 - 1218 |
|-------------|-------------|-------------|-------------|-------------|-------------|-------------|
| 1110 - 1118 | 135° | 135° | 100° | 100° | N/A | N/A |
| 1130 - 1138 | 135° | N/A | 60° | 120° | N/A | 30° |
| 1150 - 1158 | 125° | N/A | 35° | 135° | N/A | 55° |
| 1170 - 1178 | 115° | N/A | 25° | 135° | N/A | 80° |