

Service Manual

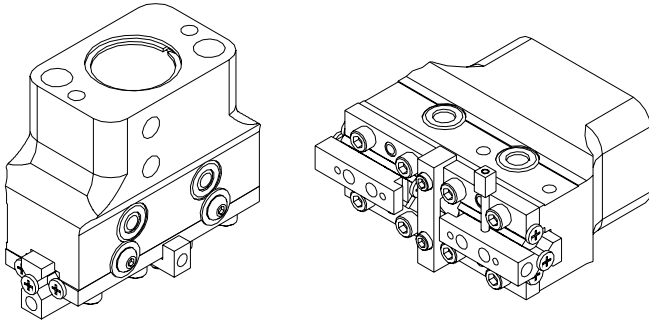
ROBOHAND | RP-P Series



WARNING: This is a controlled document. It is your responsibility to deliver this information to the end user of the Destaco Robohand product. Failure to deliver this could result in your liability for injury to the user or damage to the machine. For copies of this manual, call your Customer Service Representative at 1.248.836.6700

RP-P SERIES

Parallel Grippers | Maintenance and Assembly Procedure



Item	Qty	Name
01	1	Body
02	1	Cap
03	1	Rack, Double
05	1	Piston
07	2	Gear
08	1	Way, Fixed
09	1	Way, Adjustable
10	1	Bridge
16	1	Target Block
20	2	Rack, Finger With Target Hole
21	4	S'assy, Roller/Cage Assy.
22	4	Bearing, Needle
30	4	Washer, Flat
31	2	Dowel Pin
32	2	Dowel Pin
33	1	Roll Pin
34	4	BHCS
35	1	SSS, Cup Point

NOTE: Contact the Robohand Sales Department for a complete spare parts list with order numbers and prices.

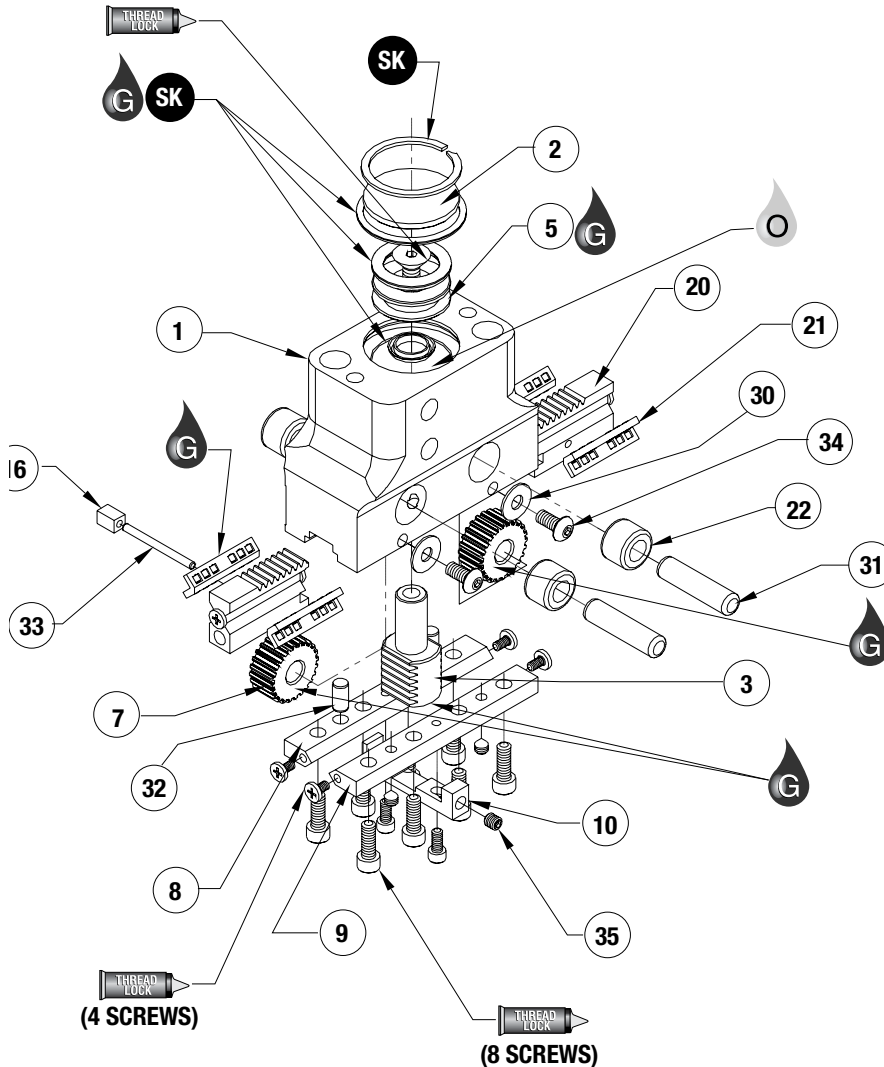
Assembly Procedures

- 1) Lubricate and install seals.
- 2) Press bearings in body. install gears in body.
- 3) Press shafts thru gears and bearings.
- 4) Install double rack and piston, making sure piston is retracted
- 5) Install cap and retaining ring.
- 6) Place jaws on gears, centered in body, in closed position.
- 7) Place ways and cages onto body.
- 8) Install bridge and adjust preload.

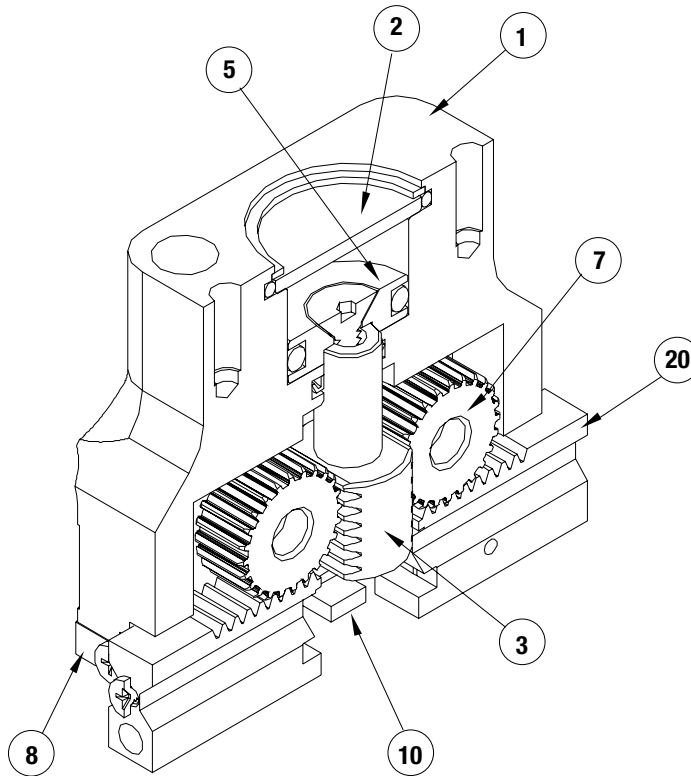
Preload Adjustment Procedure

- 1) Tighten screws (#34) until fingers bind slightly.(there should be no play in the fingers.)
- 2) Cycle the gripper.
- 3) Re-adjust screws so that when you push on the cage, the finger moves freely. (the finger movement should not feel gritty.)

SK Seal Repair Kit Order #'s See Product Data Sheets



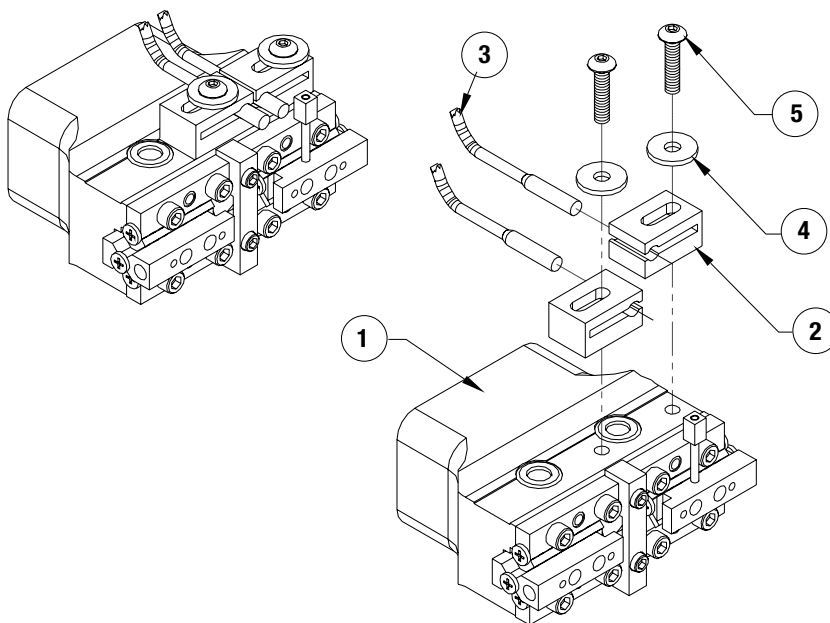
SK Seal Kit Items	 Thread Locker	 Krytox™ Lubricant	 Lightweight Machine Oil	 Teflon® Based Grease	 Super Bonder	 Third Angle Projection
-----------------------------	-------------------	-----------------------	-----------------------------	--------------------------	------------------	----------------------------



Item	Qty	Name
01	1	Body
02	1	Cap
03	1	Rack, Double
05	1	Piston
07	2	Gear
08	1	Way, Fixed
09	1	Way, Adjustable
10	1	Bridge
16	1	Target Block
20	2	Rack, Finger With Target Hole
21	4	S'assy, Roller/Cage Assy.
22	4	Bearing, Needle
30	4	Washer, Flat
31	2	Dowel Pin
32	2	Dowel Pin
33	1	Roll Pin
34	4	BHCS
35	1	SSS, Cup Point

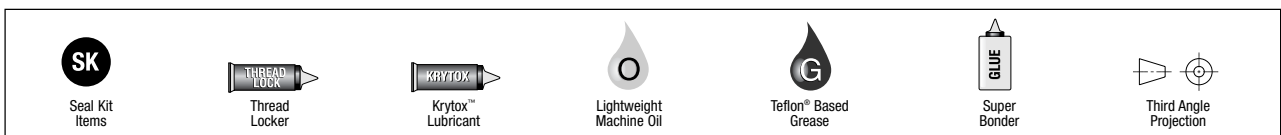
NOTE: Contact the Robohand Sales Department for a complete spare parts list with order numbers and prices.

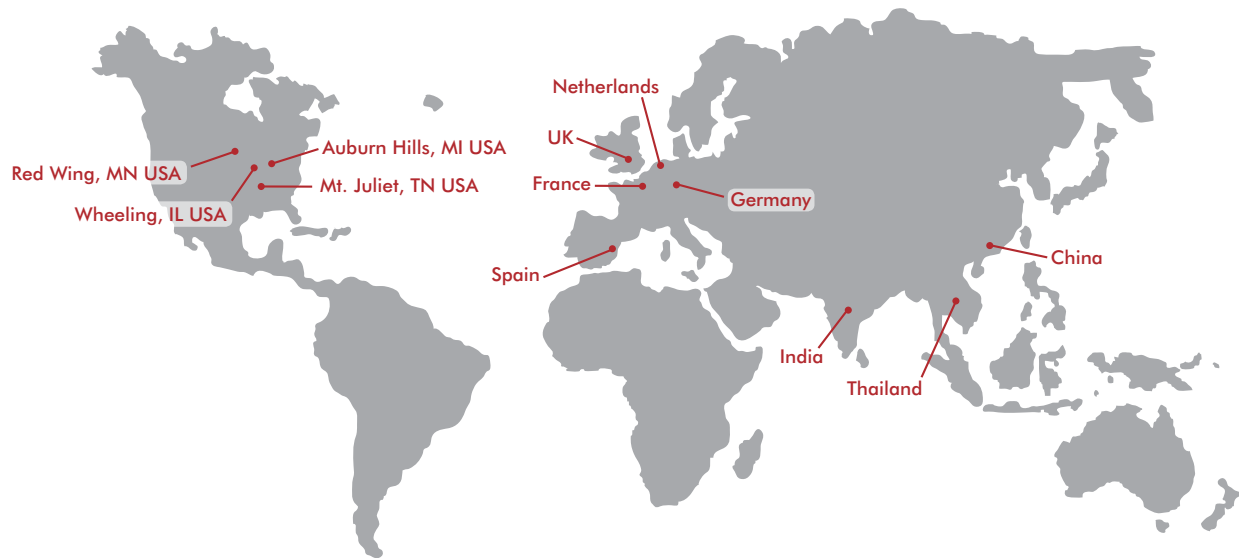
Accessory Installation & Adjustment Instructions



Installation

- 1) Install sensors as shown.
- 2) Adjust for end stroke sensing.





GLOBAL LOCATIONS

NORTH AMERICA

Corporate Headquarters

Auburn Hills, Michigan
Toll Free: 1.888.DESTACO
Marketing: marketing@destaco.com

Global Technology Center

Auburn Hills, Michigan
Tel: 1.248.836.6700
Customer Service: customerservice@destaco.com

Mt. Juliet, Tennessee
Tel: 1.888.DESTACO
Customer Service: customerservice@destaco.com

Wheeling, Illinois
Tel: 1.800.645.5207
Customer Service: camco@destaco.com

Red Wing, Minnesota (Central Research Laboratories)
Tel: 651.385.2142
Customer Service: sales@centres.com

ASIA

Bangkok, Thailand
Tel: +66-2-326-0812
Customer Service: info@destaco.com

Shanghai, China
Tel: +86-21-6081-2888
Customer Service: china@destaco.com

Bangalore, India
Tel: +91-80-41123421-426
Customer Service: india@destaco.com

EUROPE

Oberursel, Germany
Tel: +49-6171-705-0
Customer Service: europe@destaco.com

Sainte Florine, France
Tel: +33-4-73545001
Customer Service: france@destaco.com

Wolverhampton, United Kingdom
Tel: +44-1902-797980
Customer Service: uk@destaco.com

Sant Boi de Llobregat, Spain
Tel: +34-936361680
Customer Service: spain@destaco.com

Uithoorn, Netherlands
Tel: +31-297285332
Customer Service: benelux@destaco.com