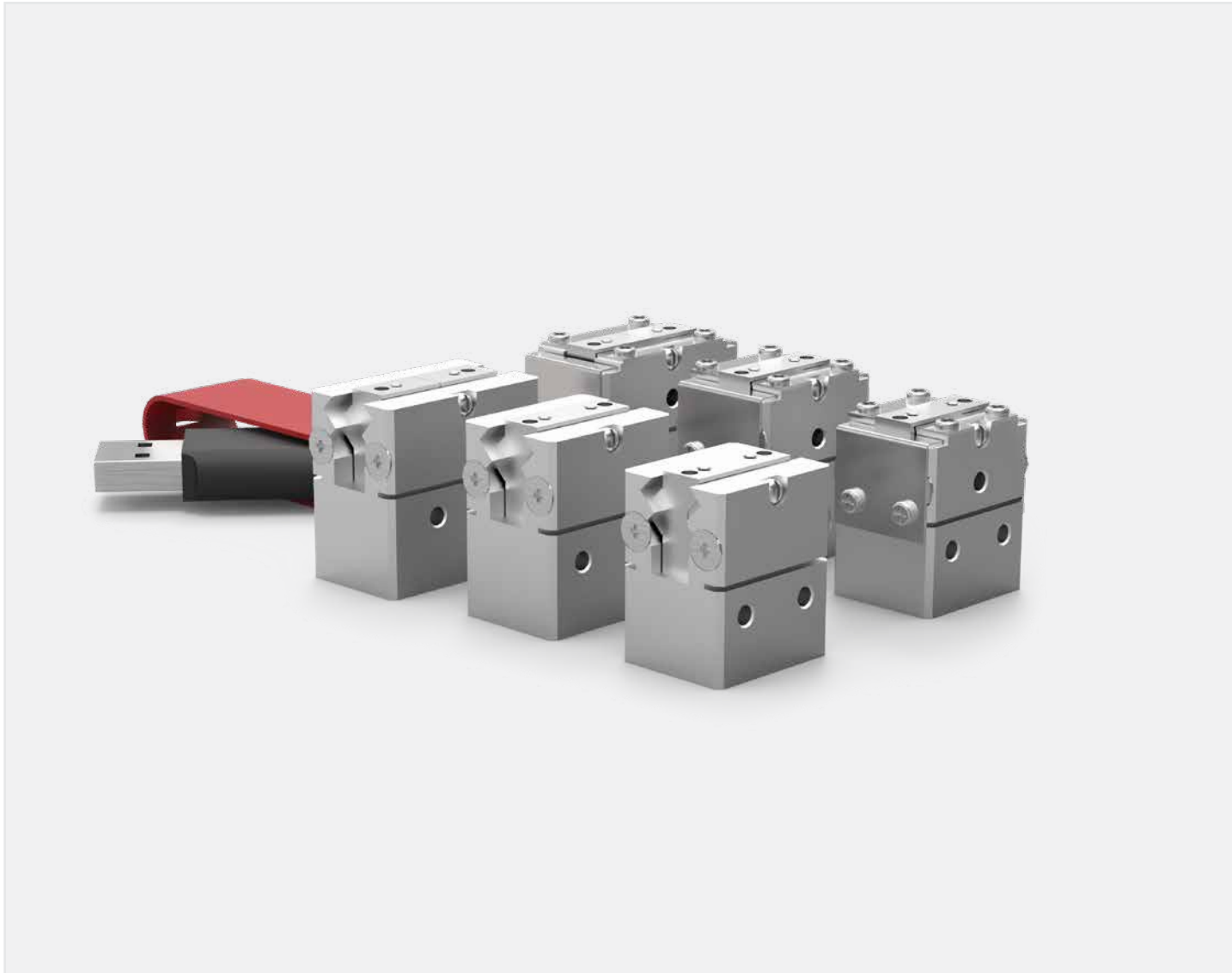


Service Manual

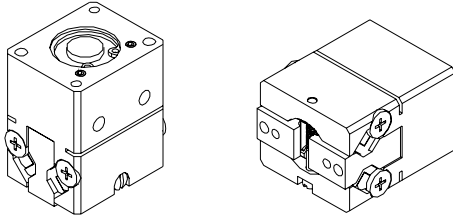
ROBOHAND | RPM/RPMC Series



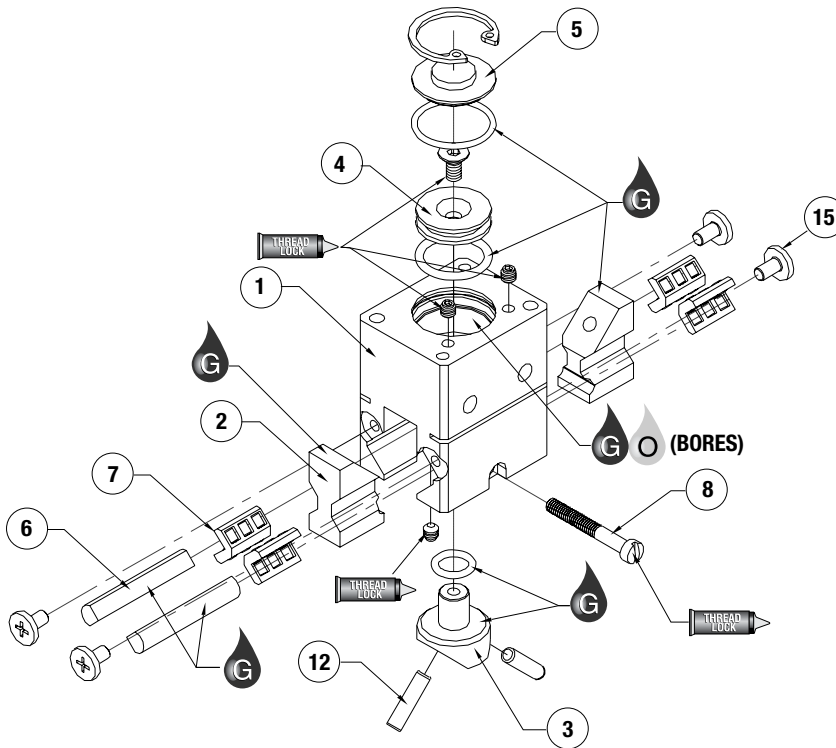
WARNING: This is a controlled document. It is your responsibility to deliver this information to the end user of the Destaco Robohand product. Failure to deliver this could result in your liability for injury to the user or damage to the machine. For copies of this manual, call your Customer Service Representative at 1.248.836.6700

RPM SERIES

Parallel Grippers | Maintenance and Assembly Procedure



Item	Qty	Name
01	1	Body
02	2	Jaw
03	1	Wedge
04	1	Piston
05	1	Cap
06	2	Way
07	4	Kit, Roller Bearings And Cage
08	1	Preload
12	2	Dowel Pin
15	4	Stop Screw



NOTE: Contact the Robohand Sales Department for a complete spare parts list with order numbers and prices.

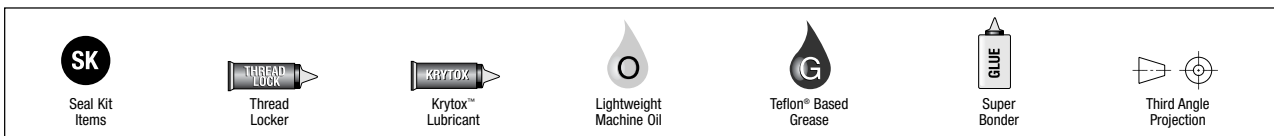
Assembly Procedure

- 1) Lubricate and install seals
- 2) Install pins (12) and wedge (3) into body
- 3) Install piston (4), screw, cap (5), & retaining ring
- 4) Install set screws for airport plugs
- 5) Install jaws (2) over pins
- 6) Install ways (6), cages (7), & screws (15)

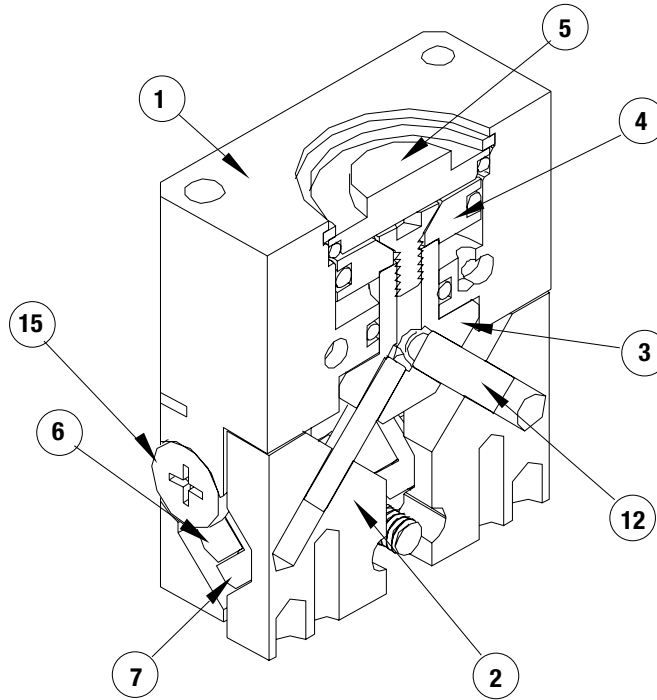
Preload Adjustment

- 1) Install preload screw (8) w/Loctite on 1st 6-8 threads
- 2) Tighten until there is no side-pay in the jaws
- 3) Cycle gripper (w/fingers preferably)
- 4) Recheck for play in jaws & tighten or loosen as needed

SK Seal Repair Kit Order #'s
See Product Data Sheets



Parallel Grippers | Maintenance and Assembly Procedure



Item	Qty	Name
------	-----	------

01	1	Body
02	2	Jaw
03	1	Wedge
04	1	Piston
05	1	Cap
06	2	Way
07	4	Kit, Roller Bearings And Cage
08	1	Preload
12	2	Dowel Pin
15	4	Stop Screw

NOTE: Contact the Robohand Sales Department for a complete spare parts list with order numbers and prices.

Non-Repairable Items List
NONE



Seal Kit
Items



Thread
Locker



Krytox™
Lubricant



Lightweight
Machine Oil



Teflon® Based
Grease



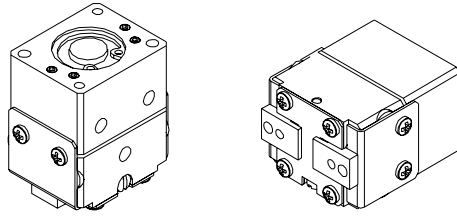
Super
Bonder



Third Angle
Projection

RPMC SERIES

Parallel Grippers | Maintenance and Assembly Procedure



Item	Qty	Name
01	1	Body
02	2	Jaw
03	1	Wedge
04	1	Piston
05	1	Cap
06	2	Way
07	4	Kit, Roller Bearings And Cage
08	1	Screw, Preload
10	2	Shield, Side
11	1	Shield, Top
12	2	Dowel Pin
15	4	Stop Screw

NOTE: Contact the Robohand Sales Department for a complete spare parts list with order numbers and prices.

Assembly Procedures

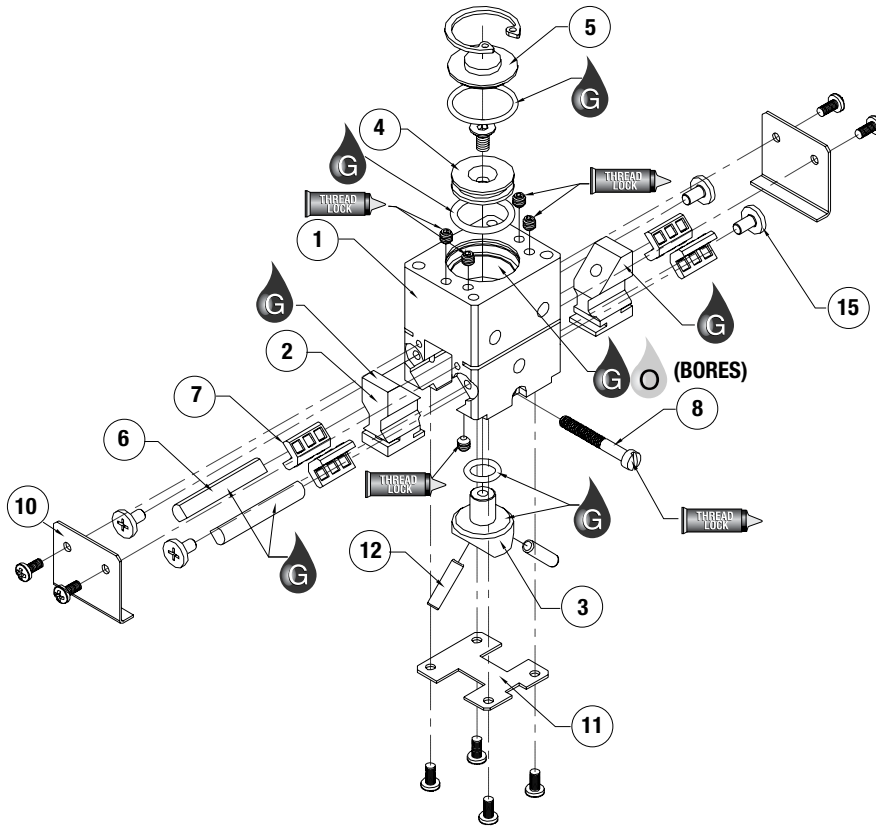
- 1) Lubricate and install seals.
- 2) Install pins (12) and wedge (3) into body.
- 3) Install piston (4), screw, cap (5), & Retaining Ring.
- 4) Install set screws for air port plugs.
- 5) Install jaws (2) over pins.
- 6) Install ways (6), cages (7), & screws (15).

Preload Adjustment

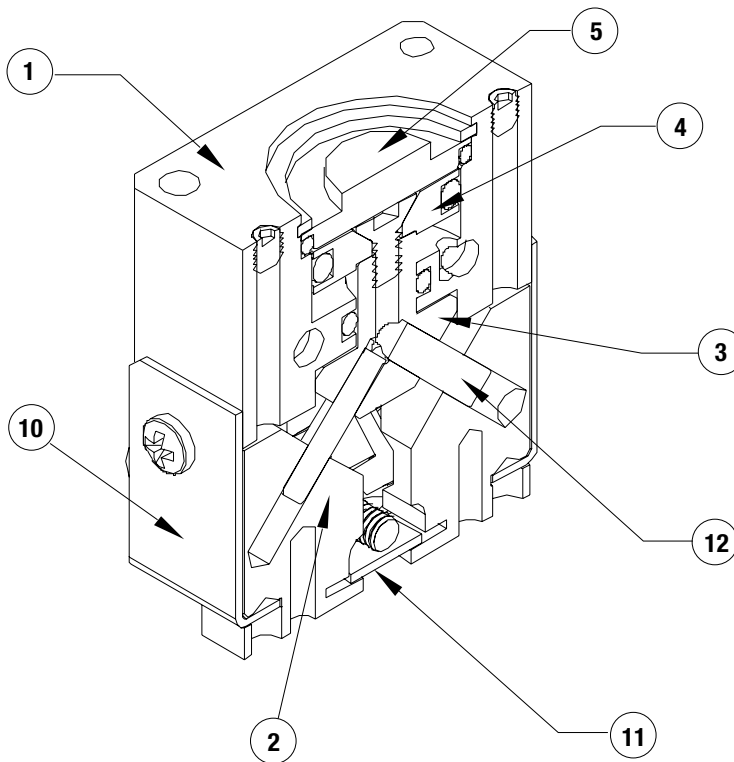
- 1) Install preload screw (8) with Loctite on first 6 - 8 threads.
- 2) Tighten until there is no side play in the jaws.
- 3) Cycle gripper(w/finger assembly)
- 4) Recheck for play in jaws & tighten or loosen as needed.

SK

Seal Repair Kit Order #'s
See Product Data Sheets



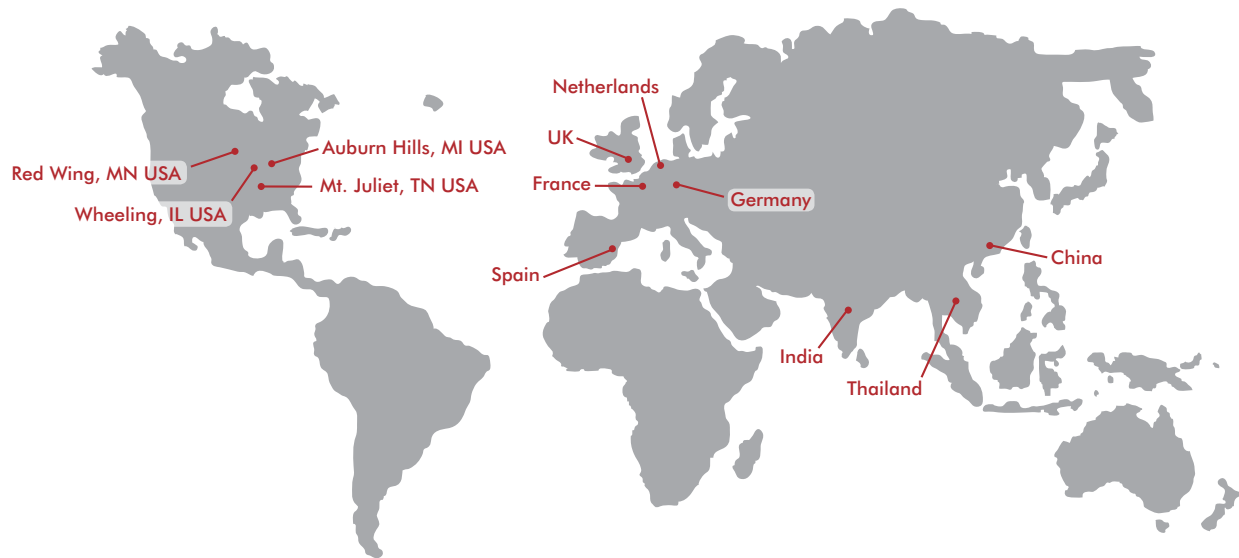
Seal Kit Items	Thread Locker	Krytox™ Lubricant	Lightweight Machine Oil	Teflon® Based Grease	Super Bonder	Third Angle Projection



Item	Qty	Name
01	1	Body
02	2	Jaw
03	1	Wedge
04	1	Piston
05	1	Cap
06	2	Way
07	4	Kit,Roller Bearings And Cage
08	1	Screw,Preload
10	2	Shield,Side
11	1	Shield,Top
12	2	Dowel Pin
15	4	Stop Screw

NOTE: Contact the Robohand Sales Department for a complete spare parts list with order numbers and prices.

<p>SK Seal Kit Items</p>	<p>THREAD LOCKER Thread Locker</p>	<p>KRYTOX™ Lubricant</p>	<p>O Lightweight Machine Oil</p>	<p>G Teflon® Based Grease</p>	<p>GLUE Super Bonder</p>	<p>Third Angle Projection</p>
----------------------------------	--	------------------------------	--	---------------------------------------	----------------------------------	-----------------------------------



GLOBAL LOCATIONS

NORTH AMERICA

Corporate Headquarters

Auburn Hills, Michigan
Toll Free: 1.888.DESTACO
Marketing: marketing@destaco.com

Global Technology Center

Auburn Hills, Michigan
Tel: 1.248.836.6700
Customer Service: customerservice@destaco.com

Mt. Juliet, Tennessee
Tel: 1.888.DESTACO
Customer Service: customerservice@destaco.com

Wheeling, Illinois
Tel: 1.800.645.5207
Customer Service: camco@destaco.com

Red Wing, Minnesota (Central Research Laboratories)
Tel: 651.385.2142
Customer Service: sales@centres.com

ASIA

Bangkok, Thailand
Tel: +66-2-326-0812
Customer Service: info@destaco.com

Shanghai, China
Tel: +86-21-6081-2888
Customer Service: china@destaco.com

Bangalore, India
Tel: +91-80-41123421-426
Customer Service: india@destaco.com

EUROPE

Oberursel, Germany
Tel: +49-6171-705-0
Customer Service: europe@destaco.com

Sainte Florine, France
Tel: +33-4-73545001
Customer Service: france@destaco.com

Wolverhampton, United Kingdom
Tel: +44-1902-797980
Customer Service: uk@destaco.com

Sant Boi de Llobregat, Spain
Tel: +34-936361680
Customer Service: spain@destaco.com

Uithoorn, Netherlands
Tel: +31-297285332
Customer Service: benelux@destaco.com