

Service Manual

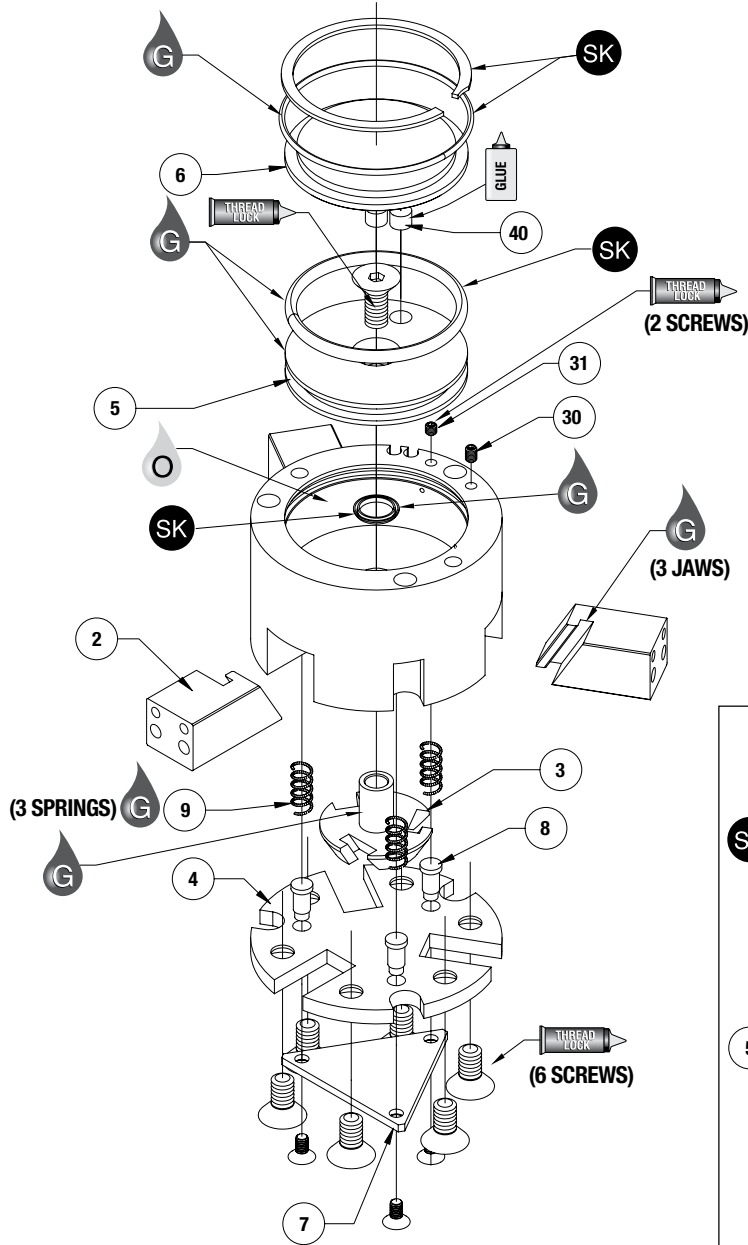
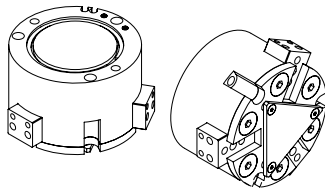
ROBOHAND | RPC Series



WARNING: This is a controlled document. It is your responsibility to deliver this information to the end user of the Destaco Robohand product. Failure to deliver this could result in your liability for injury to the user or damage to the machine. For copies of this manual, call your Customer Service Representative at 1.248.836.6700

RPC SERIES

Parallel Grippers | Maintenance and Assembly Procedure



Item	Qty	Name
------	-----	------

01	1	Body
02	3	Jaw
03	1	Wedge
04	1	Plate, Bottom
05	1	Piston
06	1	Cap, Cylinder
31	2	SSS, Cup Point
40	2	Magnet

RPC-Sp (Stripper Plate Option)

07	1	Plate, Pressure
08	3	Stud
09	3	Spring

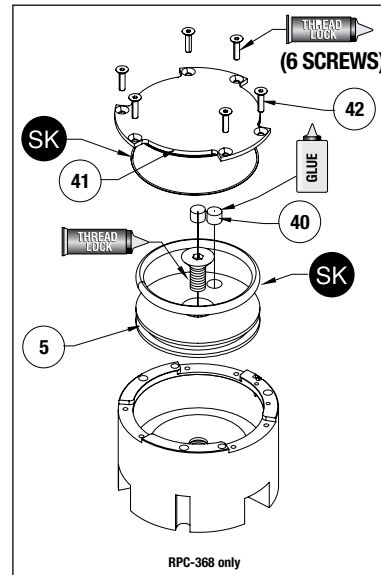
NOTE: Contact the Robohand Sales Department for a complete spare parts list with order numbers and prices.

Assembly Procedure

- 1) Lubricate and install seals.
- 2) Place triple wedge and jaws into body.
- 3) Install studs through bottom plate* and into stripper plate.
- 4) Install springs in body, attach bottom plate assembly to body.
- 5) Glue magnets in piston, install piston in body.
- 6) Align magnets with sensor slots in body.
- 7) Install cap and retaining ring.*

* For Stripper Plate Option Only.

SK Seal Repair Kit Order #'s See Product Data Sheets



SK

Seal Kit Items



Thread Locker



Krytox™ Lubricant



Lightweight Machine Oil



Teflon® Based Grease



Super Bonder



Third Angle Projection

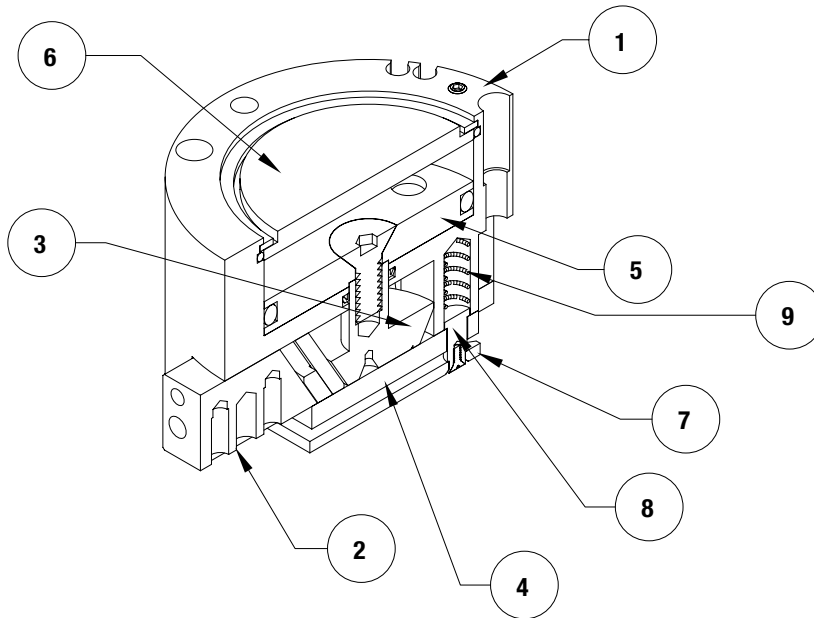
Item	Qty	Name
------	-----	------

01	1	Body
02	3	Jaw
03	1	Wedge
04	1	Plate, Bottom
05	1	Piston
06	1	Cap, Cylinder
31	2	SSS, Cup Point
40	2	Magnet

RPC-Sp (Stripper Plate Option)		
--------------------------------	--	--

07	1	Plate, Pressure
08	3	Stud
09	3	Spring

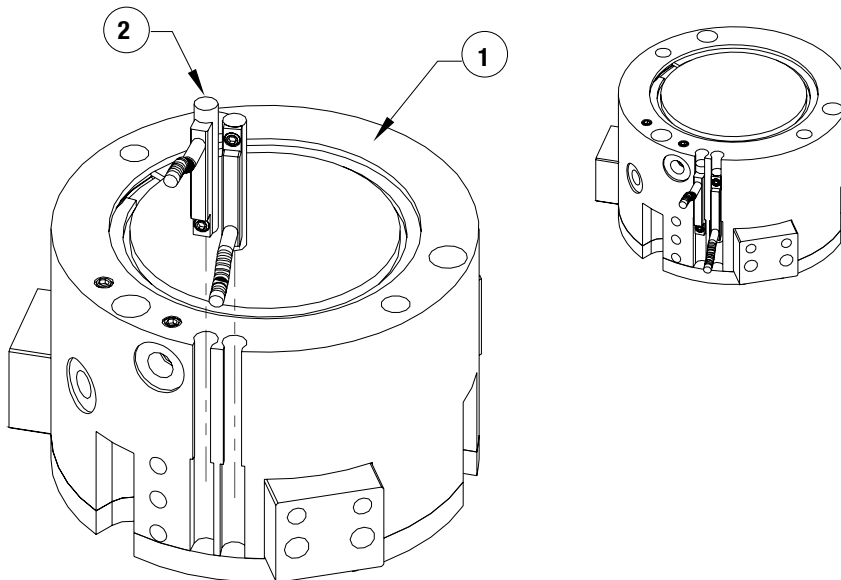
NOTE: Contact the Robohand Sales Department for a complete spare parts list with order numbers and prices.



Accessory Installation & Adjustment Instructions

Installation

- 1) Install sensors (2) in profile slots of gripper body (1) as shown.
- 2) Set sensors with integrated setscrew.



Seal Kit
Items



Thread
Locker



Krytox™
Lubricant



Lightweight
Machine Oil



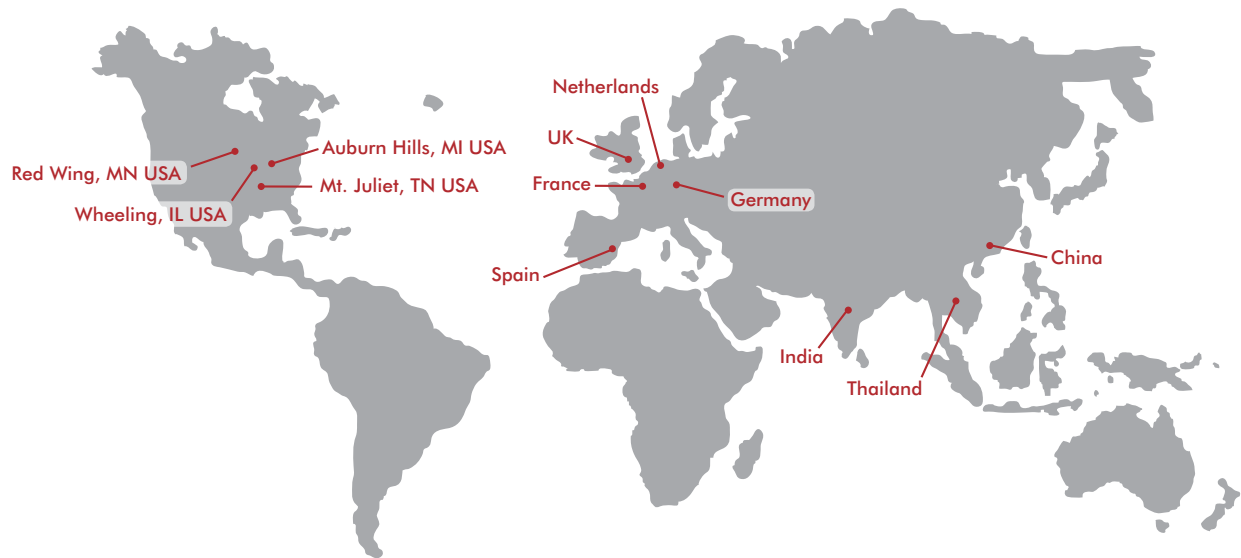
Teflon® Based
Grease



Super
Bonder



Third Angle
Projection



GLOBAL LOCATIONS

NORTH AMERICA

Corporate Headquarters

Auburn Hills, Michigan
Toll Free: 1.888.DESTACO
Marketing: marketing@destaco.com

Global Technology Center

Auburn Hills, Michigan
Tel: 1.248.836.6700
Customer Service: customerservice@destaco.com

Mt. Juliet, Tennessee
Tel: 1.888.DESTACO
Customer Service: customerservice@destaco.com

Wheeling, Illinois
Tel: 1.800.645.5207
Customer Service: camco@destaco.com

Red Wing, Minnesota (Central Research Laboratories)
Tel: 651.385.2142
Customer Service: sales@centres.com

ASIA

Bangkok, Thailand
Tel: +66-2-326-0812
Customer Service: info@destaco.com

Shanghai, China
Tel: +86-21-6081-2888
Customer Service: china@destaco.com

Bangalore, India
Tel: +91-80-41123421-426
Customer Service: india@destaco.com

EUROPE

Oberursel, Germany
Tel: +49-6171-705-0
Customer Service: europe@destaco.com

Sainte Florine, France
Tel: +33-4-73545001
Customer Service: france@destaco.com

Wolverhampton, United Kingdom
Tel: +44-1902-797980
Customer Service: uk@destaco.com

Sant Boi de Llobregat, Spain
Tel: +34-936361680
Customer Service: spain@destaco.com

Uithoorn, Netherlands
Tel: +31-297285332
Customer Service: benelux@destaco.com