

Service Manual

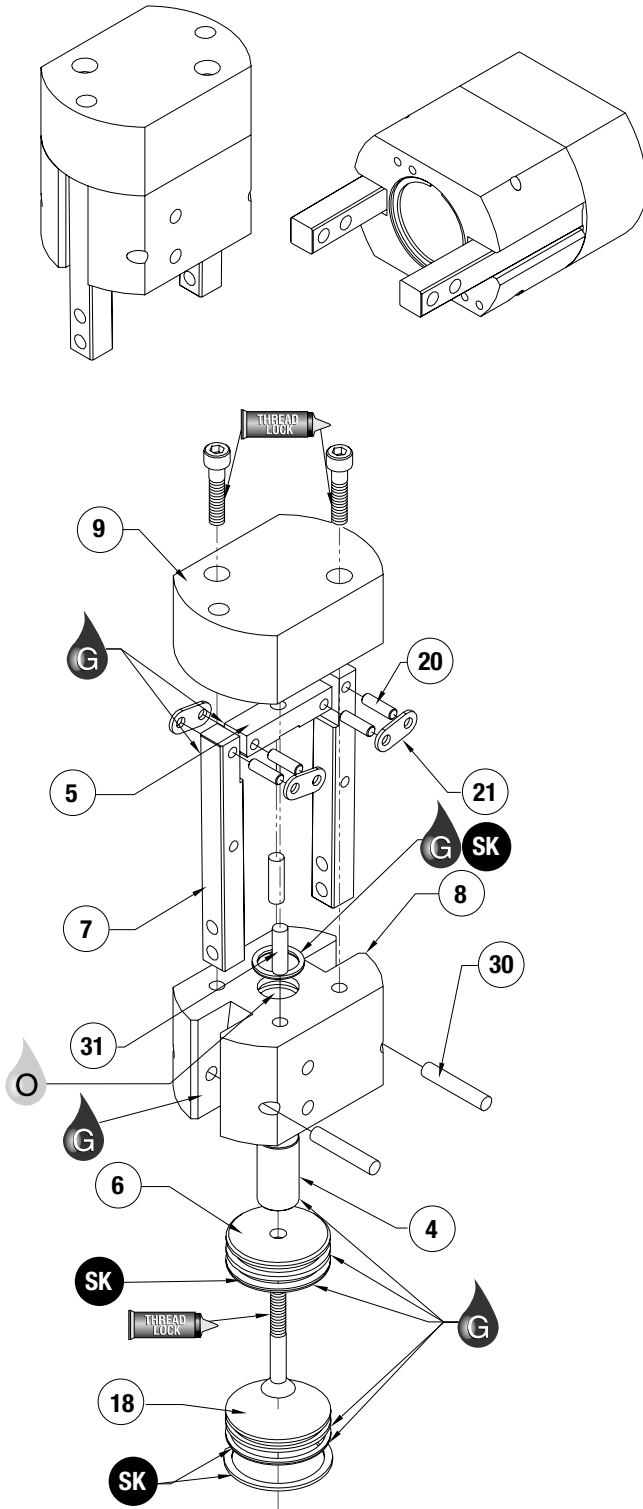
ROBOHAND | RA-Toggle Series



WARNING: This is a controlled document. It is your responsibility to deliver this information to the end user of the Destaco Robohand product. Failure to deliver this could result in your liability for injury to the user or damage to the machine. For copies of this manual, call your Customer Service Representative at 1.248.836.6700

RA-TOGGLE SERIES

Angular Grippers | Maintenance and Assembly Procedure



Item	Qty	Name
04	1	Shaft
05	1	Cross Bar
06	1	Piston
07	2	Jaw
08	1	Body
09	1	Cap
18	1	Plug
20	4	Pin
21	4	Link
30	2	Dowel Pin
31	2	Dowel Pin

NOTE: Contact the Robohand Sales Department for a complete spare parts list with order numbers and prices.

Assembly Procedure

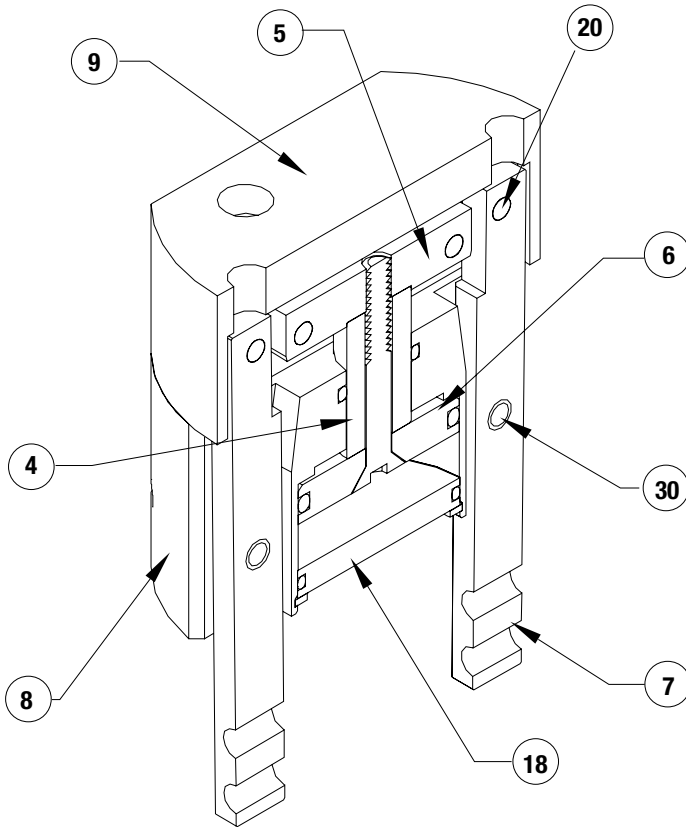
- 1) Lubricate and install seals.
- 2) Install piston and shaft into body.
- 3) Install jaws.
- 4) Press dowel pins through fingers from air port side.
- 5) Install links and cross bar.
- 6) Install cap on body.
- 7) Install plug and retaining ring.

SK Seal Repair Kit Order #'s See Product Data Sheets

SK Seal Kit Items	THREAD LOCK Thread Locker	KRYTOX Krytox™ Lubricant	O Lightweight Machine Oil	G Teflon® Based Grease	GLUE Super Bonder	Third Angle Projection
-----------------------------	-------------------------------------	------------------------------------	-------------------------------------	----------------------------------	-----------------------------	-------------------------------

RA-TOGGLE SERIES

Angular Grippers | Maintenance and Assembly Procedure

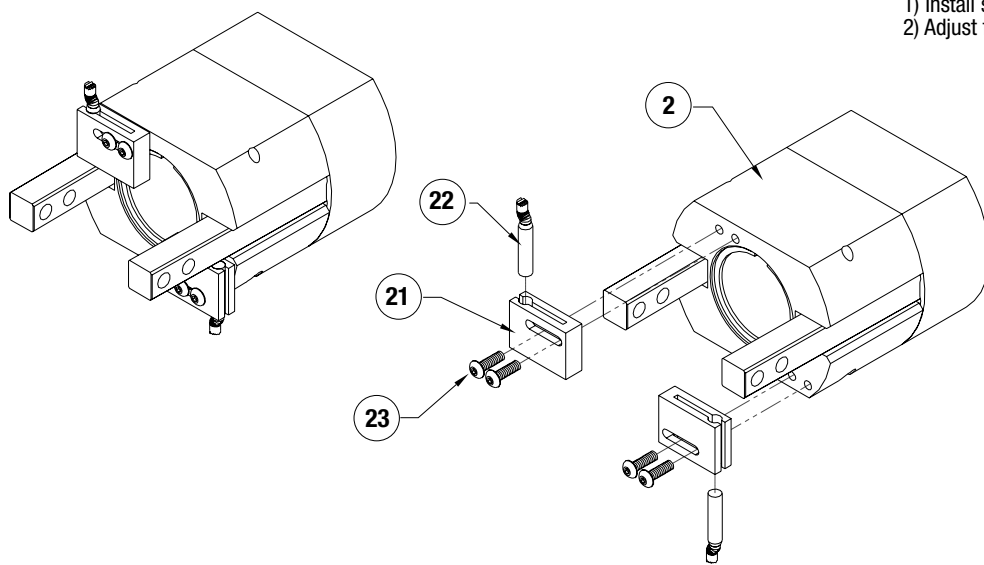


Item	Qty	Name
04	1	Shaft
05	1	Cross Bar
06	1	Piston
07	2	Jaw
08	1	Body
09	1	Cap
18	1	Plug
20	4	Pin
21	4	Link
30	2	Dowel Pin
31	2	Dowel Pin

NOTE: Contact the Robohand Sales Department for a complete spare parts list with order numbers and prices.

Accessory Installation & Adjustment Instructions

- 1) Install sensors as shown.
- 2) Adjust for open/closed stroke sensors.



Seal Kit Items	Thread Locker	Krytox™ Lubricant	Lightweight Machine Oil	Teflon® Based Grease	Super Bonder	Third Angle Projection



GLOBAL LOCATIONS

NORTH AMERICA

Corporate Headquarters

Auburn Hills, Michigan
Toll Free: 1.888.DESTACO
Marketing: marketing@destaco.com

Global Technology Center

Auburn Hills, Michigan
Tel: 1.248.836.6700
Customer Service: customerservice@destaco.com

Mt. Juliet, Tennessee
Tel: 1.888.DESTACO
Customer Service: customerservice@destaco.com

Wheeling, Illinois
Tel: 1.800.645.5207
Customer Service: camco@destaco.com

Red Wing, Minnesota (Central Research Laboratories)
Tel: 651.385.2142
Customer Service: sales@centres.com

ASIA

Bangkok, Thailand
Tel: +66-2-326-0812
Customer Service: info@destaco.com

Shanghai, China
Tel: +86-21-6081-2888
Customer Service: china@destaco.com

Bangalore, India
Tel: +91-80-41123421-426
Customer Service: india@destaco.com

EUROPE

Oberursel, Germany
Tel: +49-6171-705-0
Customer Service: europe@destaco.com

Sainte Florine, France
Tel: +33-4-73545001
Customer Service: france@destaco.com

Wolverhampton, United Kingdom
Tel: +44-1902-797980
Customer Service: uk@destaco.com

Sant Boi de Llobregat, Spain
Tel: +34-936361680
Customer Service: spain@destaco.com

Uithoorn, Netherlands
Tel: +31-297285332
Customer Service: benelux@destaco.com