

Service Manual

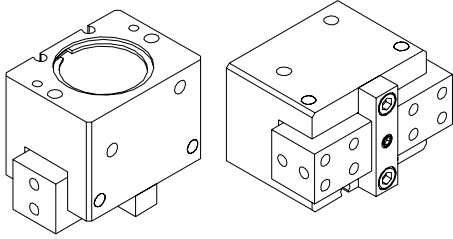
ROBOHAND | RA-CAM Series



WARNING: This is a controlled document. It is your responsibility to deliver this information to the end user of the Destaco Robohand product. Failure to deliver this could result in your liability for injury to the user or damage to the machine. For copies of this manual, call your Customer Service Representative at 1.248.836.6700

RA-5, 6, 7, 8 CAM SERIES

Angular Grippers | Maintenance and Assembly Procedure



Item	Qty	Name
------	-----	------

01	1	Body
02	2	Jaw
03	1	Wedge
04	1	Piston
05	1	Cap
06	1	Plate, Adjustment
07	1	Shaft
30	1	SSS, Nylon Patch, Cup Point
31	2	Dowel Pin
40	2	Magnet

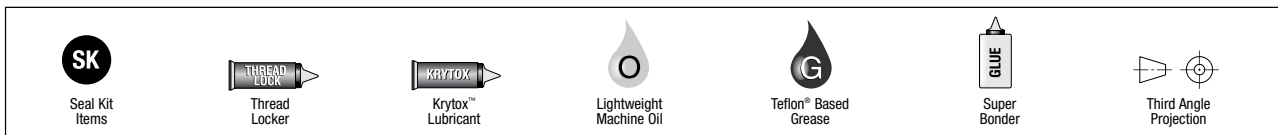
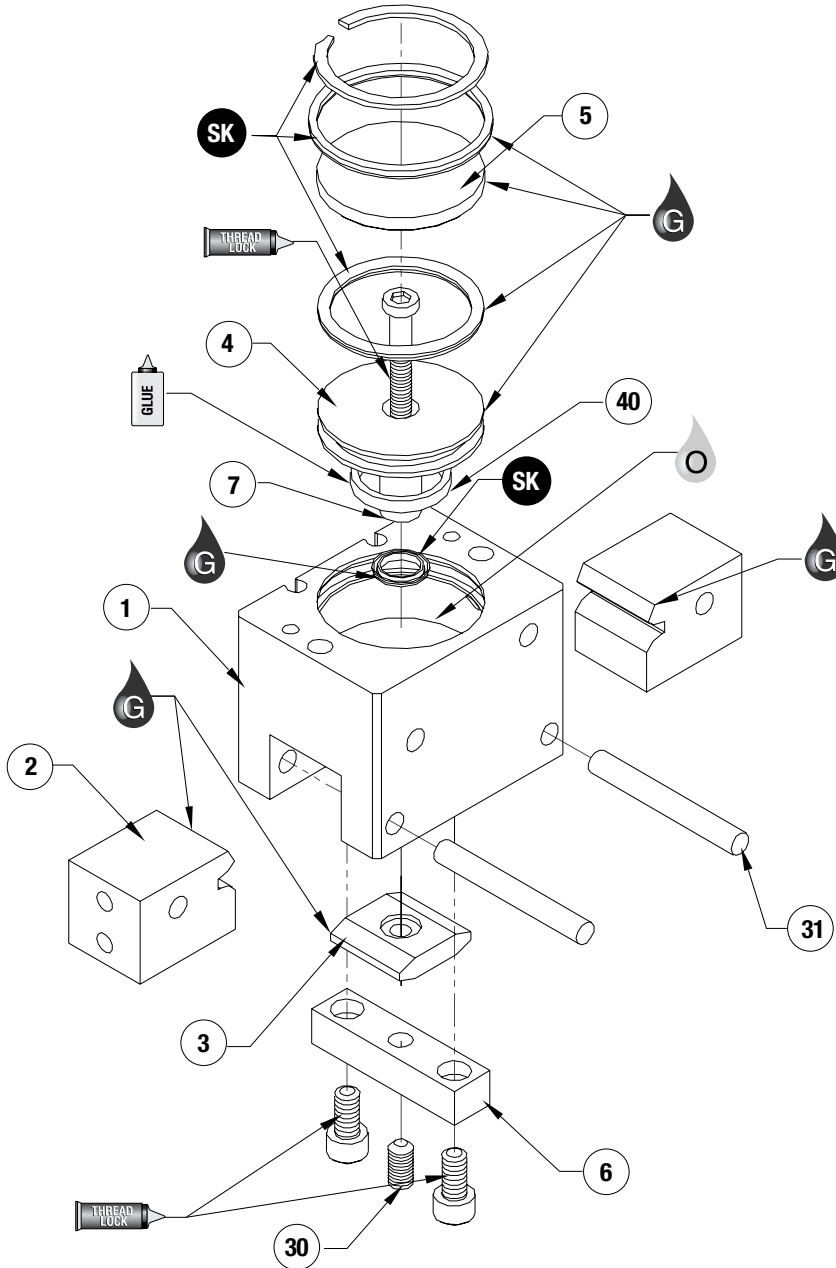
NOTE: Contact the Robohand Sales Department for a complete spare parts list with order numbers and prices.

Assembly Procedure

- 1) Lubricate and install seals.
- 2) Glue magnet into piston.
- 3) Install piston and wedge.
- 4) Install jaws (press dowel pins through fingers from air port side).
- 5) Install cap and retaining ring.
- 6) Install adjustment plate.
- 7) Set adjustment screw for desired stroke.

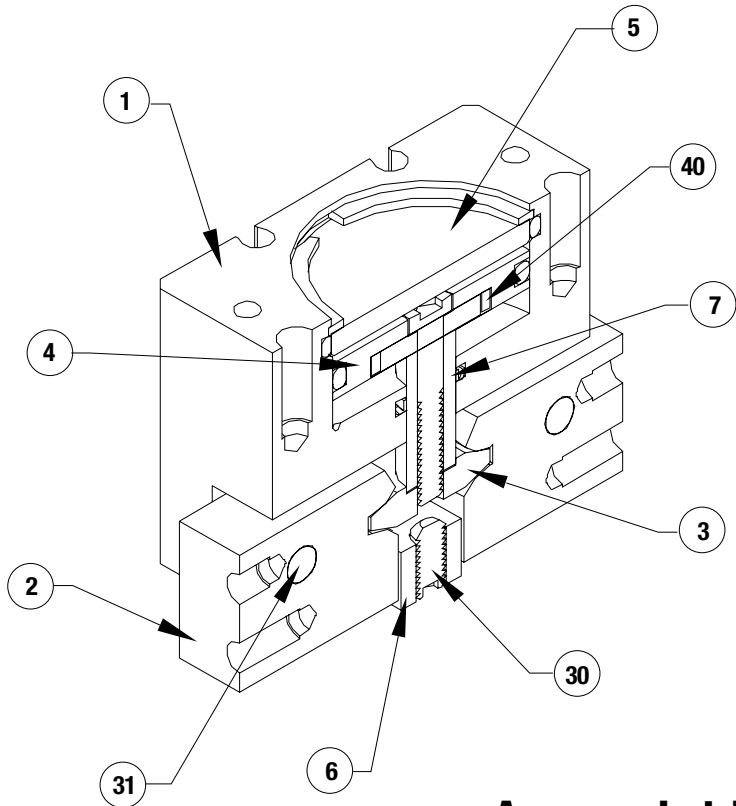
NOTE: Item #7 on RA-7&8 only.

SK Seal Repair Kit Order #'s See Product Data Sheets



RA-5, 6, 7, 8 CAM SERIES

Angular Grippers | Maintenance and Assembly Procedure

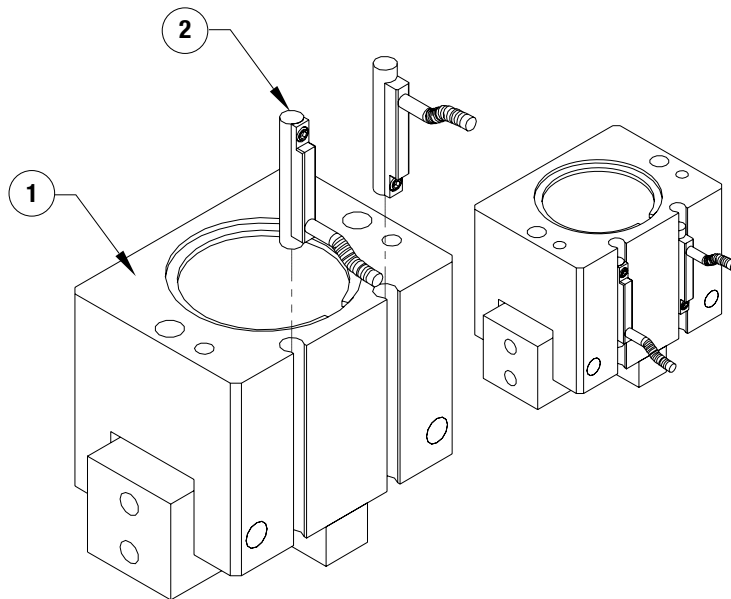


Item Qty Name

01	1	Body
02	2	Jaw
03	1	Wedge
04	1	Piston
05	1	Cap
06	1	Plate, Adjustment
07	1	Shaft
30	1	SSS, Nylon Patch, Cup Point
31	2	Dowel Pin
40	2	Magnet

NOTE: Contact the Robohand Sales Department for a complete spare parts list with order numbers and prices.

Accessory Installation & Adjustment Instructions



Installation

- 1) Install sensors in profile slots as shown.
- 2) Set with integrated set screw.



Seal Kit Items



Thread Locker



Krytox™ Lubricant



Lightweight Machine Oil



Teflon® Based Grease



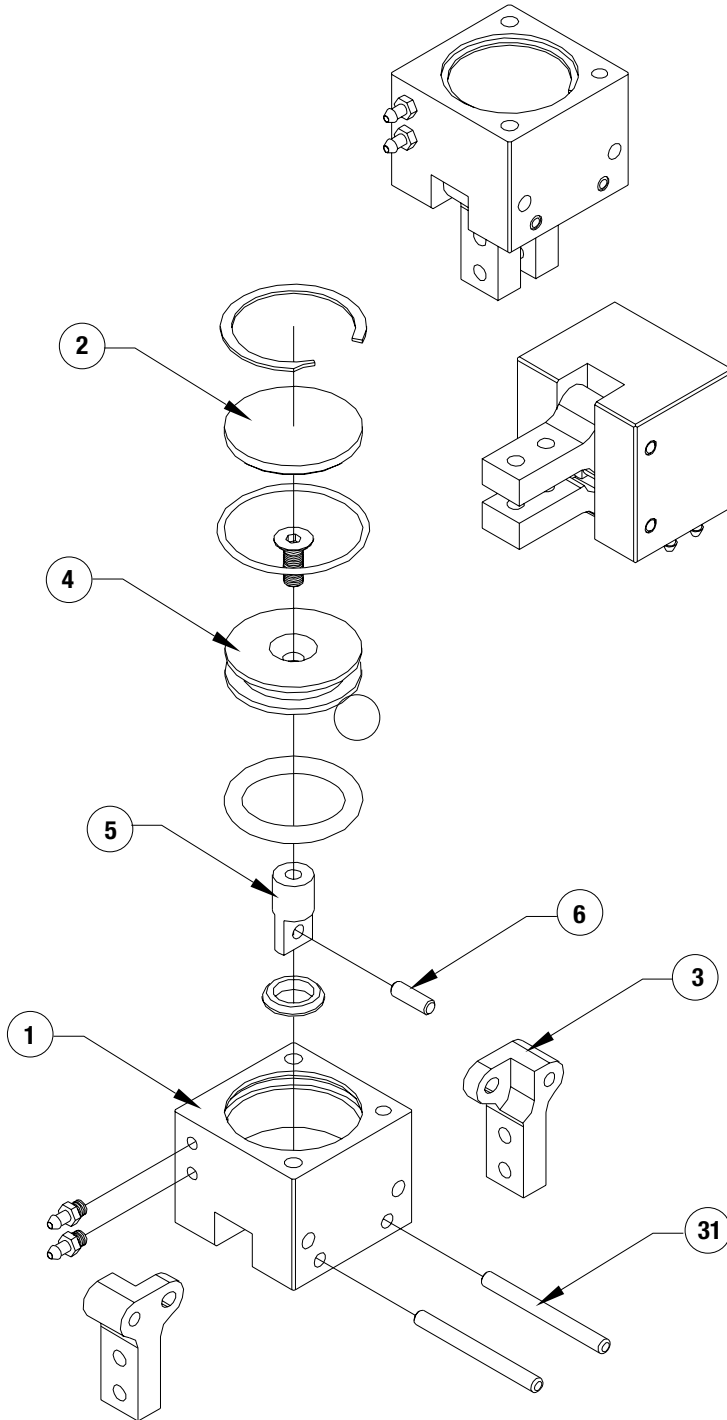
Super Bonder



Third Angle Projection

RA-10 CAM SERIES

Angular Grippers | Maintenance and Assembly Procedure



Item	Qty	Name
01	1	Body
02	1	Cap
03	2	Jaw
04	1	Piston
05	1	Shaft
06	1	Pin
31	2	Dowel Pin

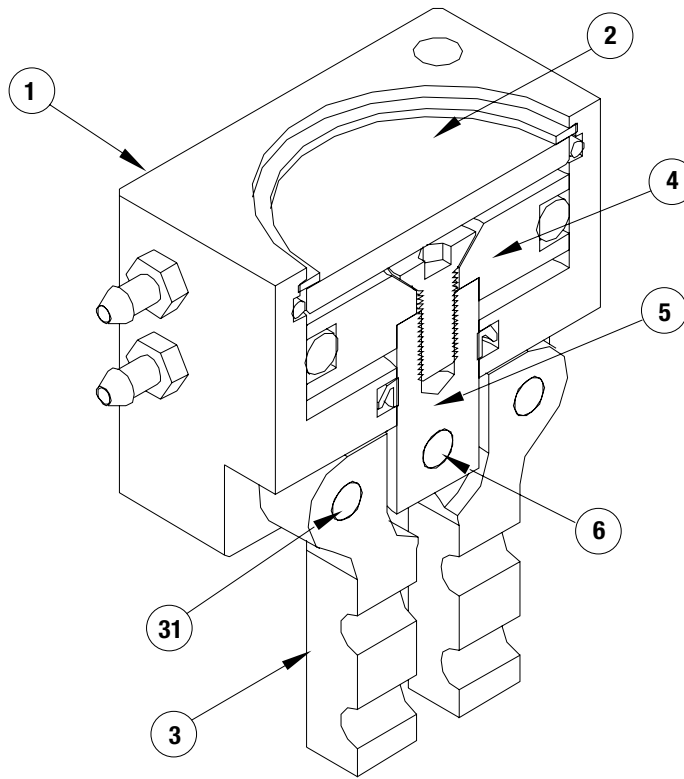
NOTE: Contact the Robohand Sales Department for a complete spare parts list with order numbers and prices.

SK Seal Repair Kit Order #'s See Product Data Sheet

Seal Kit Items	Thread Locker	Krytox™ Lubricant	Lightweight Machine Oil	Teflon® Based Grease	Super Bonder	Third Angle Projection

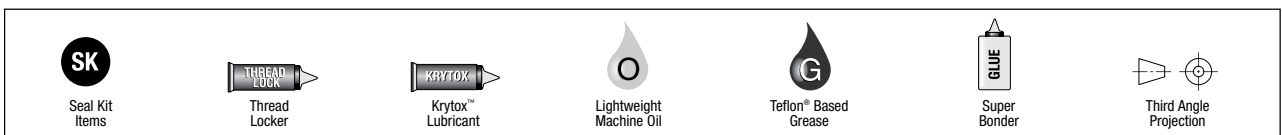
RA-10 CAM SERIES

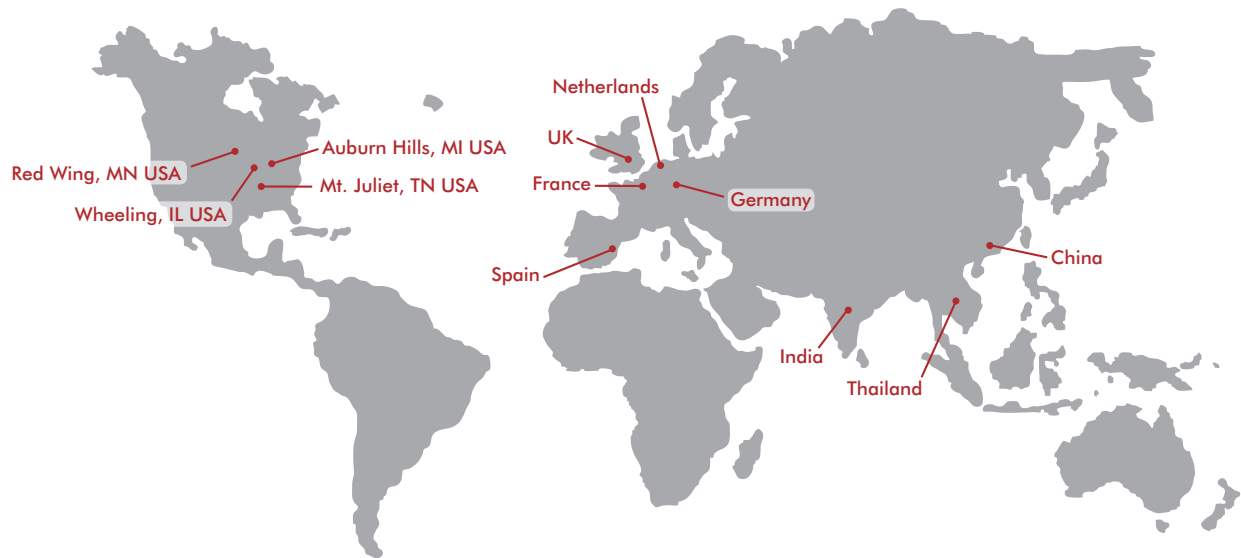
Angular Grippers | Maintenance and Assembly Procedure



Item	Qty	Name
01	1	Body
02	1	Cap
03	2	Jaw
04	1	Piston
05	1	Shaft
06	1	Pin
31	2	Dowel Pin

NOTE: Contact the Robohand Sales Department for a complete spare parts list with order numbers and prices.





GLOBAL LOCATIONS

NORTH AMERICA

Corporate Headquarters

Auburn Hills, Michigan
Toll Free: 1.888.DESTACO
Marketing: marketing@destaco.com

Global Technology Center

Auburn Hills, Michigan
Tel: 1.248.836.6700
Customer Service: customerservice@destaco.com

Mt. Juliet, Tennessee
Tel: 1.888.DESTACO
Customer Service: customerservice@destaco.com

Wheeling, Illinois
Tel: 1.800.645.5207
Customer Service: camco@destaco.com

Red Wing, Minnesota (Central Research Laboratories)
Tel: 651.385.2142
Customer Service: sales@centres.com

ASIA

Bangkok, Thailand
Tel: +66-2-326-0812
Customer Service: info@destaco.com

Shanghai, China
Tel: +86-21-6081-2888
Customer Service: china@destaco.com

Bangalore, India
Tel: +91-80-41123421-426
Customer Service: india@destaco.com

EUROPE

Oberursel, Germany
Tel: +49-6171-705-0
Customer Service: europe@destaco.com

Sainte Florine, France
Tel: +33-4-73545001
Customer Service: france@destaco.com

Wolverhampton, United Kingdom
Tel: +44-1902-797980
Customer Service: uk@destaco.com

Sant Boi de Llobregat, Spain
Tel: +34-936361680
Customer Service: spain@destaco.com

Uithoorn, Netherlands
Tel: +31-297285332
Customer Service: benelux@destaco.com