

## Service Manual

# **ROBOHAND** | DLB Internally Powered Series



**WARNING:** This is a controlled document. It is your responsibility to deliver this information to the end user of the Destaco Robohand product. Failure to deliver this could result in your liability for injury to the user or damage to the machine. For copies of this manual, call your Customer Service Representative at 1.248.836.6700

# DLB-B, L SERIES

## Linear Slides | Maintenance and Assembly Procedure

Item	Qty	Name
------	-----	------

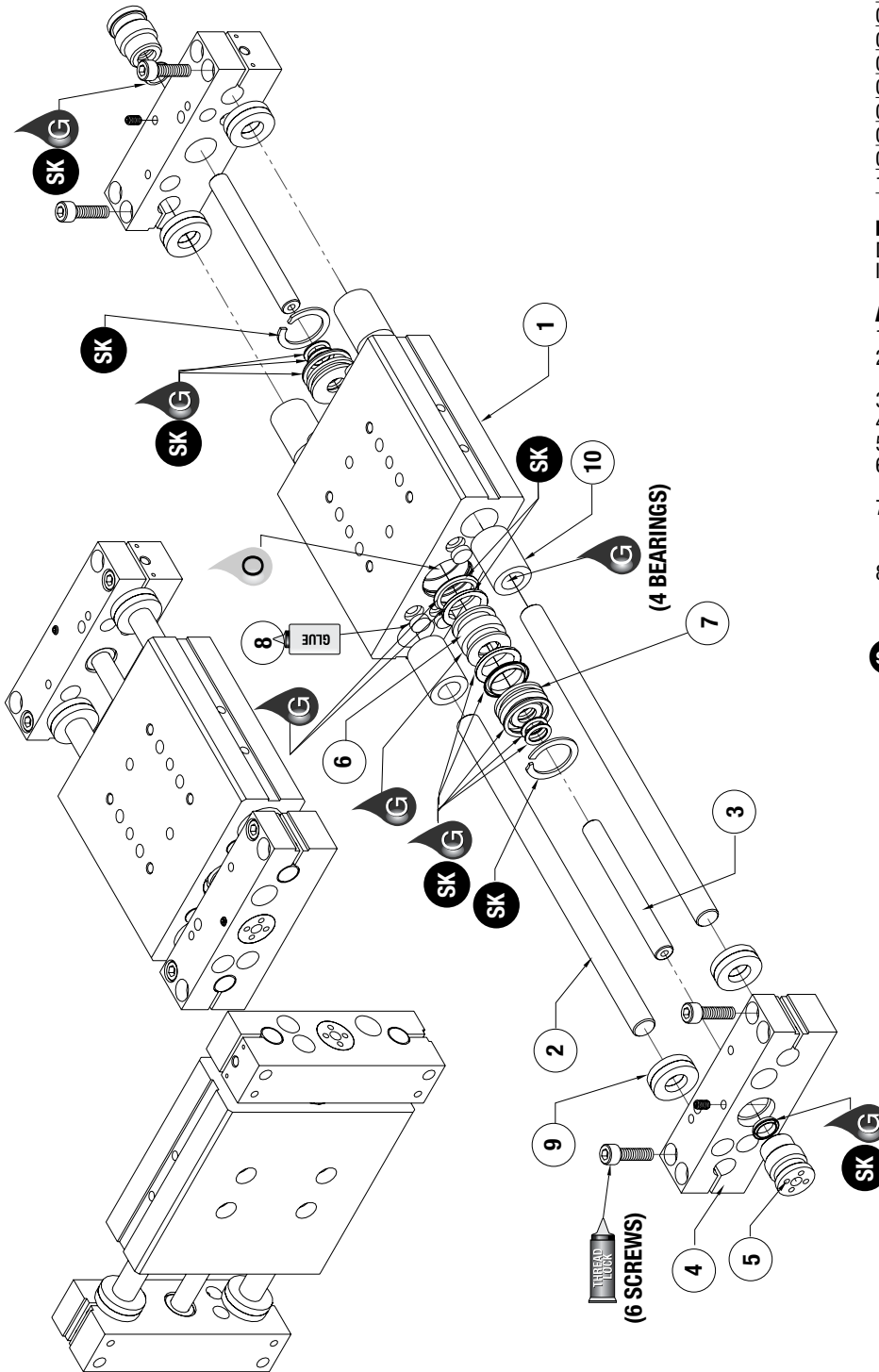
01	1	Body
02	2	Guide Shaft
03	2	Air Tube
04	2	End Block
05	2	Adapter, Internally Powered
06	1	Piston
07	2	Cap, Rod End
08	6	Stop Button
09	8	Shock Pad, Urethane
10	4	Bushing

**NOTE:** Contact the Robohand Sales Department for a complete spare parts list with order numbers and prices.

### Assembly Procedure

- 1) Lubricate and install seals.
- 2) Install piston, air shafts, bearings, caps, and retainer rings into body.
- 3) Install guide shafts into bearings.
- 4) Insert air shafts to piston.
- 5) Slide bumpers onto shaft ends.
- 6) Slide end blocks onto shaft ends and tighten.
- 7) Attach air port adapter to end of each air shaft through center of each end block using spanner wrench.
- 8) Set air port adapters into places with set screw.

**SK Seal Repair Kit Order #'s See Product Data Sheets**



**SK**

Seal Kit Items



Thread Locker



Krytox™ Lubricant



Lightweight Machine Oil



Teflon® Based Grease



Super Bonder



Third Angle Projection

# DLB-B, L SERIES

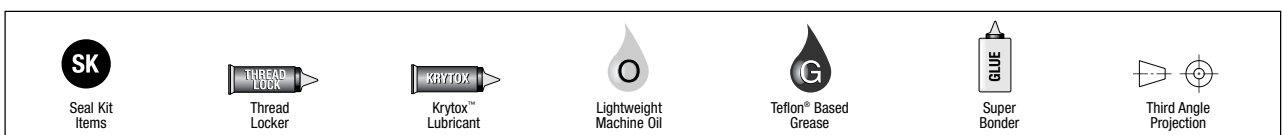
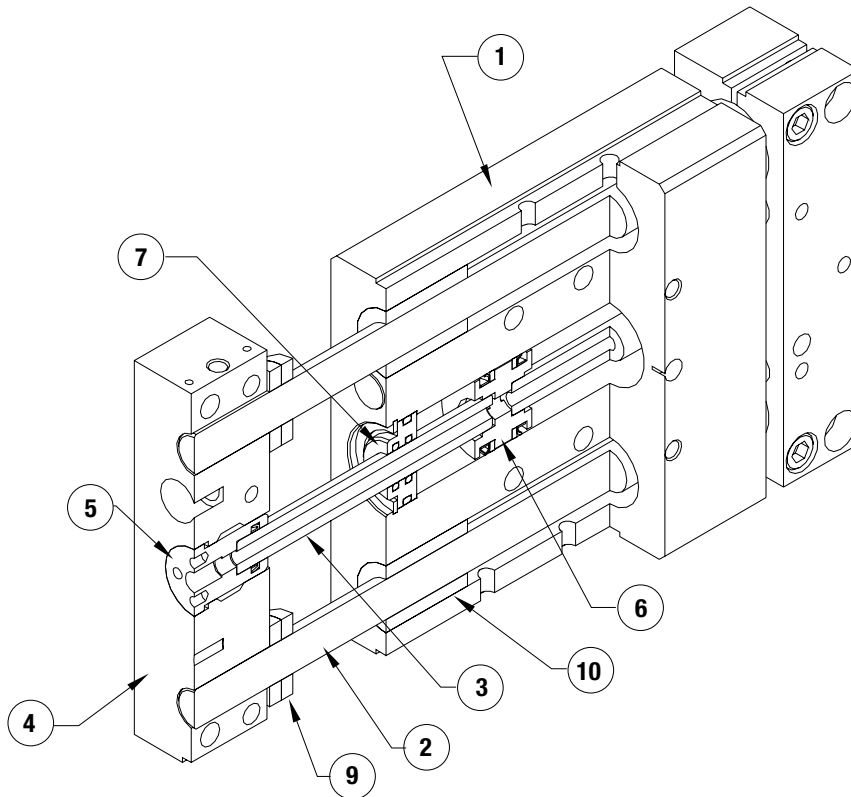
## Linear Slides | Maintenance and Assembly Procedure

Item	Qty	Name
------	-----	------

01	1	Body
02	2	Guide Shaft
03	2	Air Tube
04	2	End Block
05	2	Adapter, Internally Powered
06	1	Piston
07	2	Cap, Rod End
08	6	Stop Button
09	8	Shock Pad, Urethane
10	4	Bushing

**NOTE:** Contact the Robohand Sales Department for a complete spare parts list with order numbers and prices.

**NOTE:** For accessory mounting information see Product Data Sheets.





## GLOBAL LOCATIONS

### NORTH AMERICA

#### Corporate Headquarters

Auburn Hills, Michigan  
Toll Free: 1.888.DESTACO  
Marketing: [marketing@destaco.com](mailto:marketing@destaco.com)

#### Global Technology Center

Auburn Hills, Michigan  
Tel: 1.248.836.6700  
Customer Service: [customerservice@destaco.com](mailto:customerservice@destaco.com)

Mt. Juliet, Tennessee  
Tel: 1.888.DESTACO  
Customer Service: [customerservice@destaco.com](mailto:customerservice@destaco.com)

Wheeling, Illinois  
Tel: 1.800.645.5207  
Customer Service: [camco@destaco.com](mailto:camco@destaco.com)

Red Wing, Minnesota (Central Research Laboratories)  
Tel: 651.385.2142  
Customer Service: [sales@centres.com](mailto:sales@centres.com)

### ASIA

Bangkok, Thailand  
Tel: +66-2-326-0812  
Customer Service: [info@destaco.com](mailto:info@destaco.com)

Shanghai, China  
Tel: +86-21-6081-2888  
Customer Service: [china@destaco.com](mailto:china@destaco.com)

Bangalore, India  
Tel: +91-80-41123421-426  
Customer Service: [india@destaco.com](mailto:india@destaco.com)

### EUROPE

Oberursel, Germany  
Tel: +49-6171-705-0  
Customer Service: [europe@destaco.com](mailto:europe@destaco.com)

Sainte Florine, France  
Tel: +33-4-73545001  
Customer Service: [france@destaco.com](mailto:france@destaco.com)

Wolverhampton, United Kingdom  
Tel: +44-1902-797980  
Customer Service: [uk@destaco.com](mailto:uk@destaco.com)

Sant Boi de Llobregat, Spain  
Tel: +34-936361680  
Customer Service: [spain@destaco.com](mailto:spain@destaco.com)

Uithoorn, Netherlands  
Tel: +31-297285332  
Customer Service: [benelux@destaco.com](mailto:benelux@destaco.com)