

GR1-20 SERIES

Toggle Lock Sheet Metal Grippers | Ordering Information

GR1-20 - **BE** - 180 - **DXX** - **MXX** -

Cylinder Type & Porting

Step 1 - Cylinder Ports Choose One

B **E**

- E** English (1/8 NPT)
- M** Metric (1/8 G)

Open/Closed Sensor

Sensors Type	Description
T04	Internal Sensor
(Leave Blank)	No Sensor

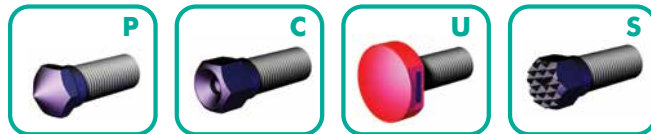
(See page SG-TGL-43 for sensor specifications)

Tip Insert Options

Step 2 - Upper Tip Insert Options Choose One

D **P** **P**

- P** Point
- C** Cup
- U** Urethane
- S** Serrated
- X** No Tips



Step 3 - Lower Tip Insert Options Choose One Above

D **P** **P**

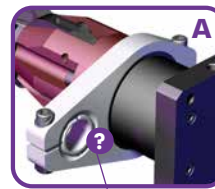
For tip insert dimensions and replacement part #'s, please refer to **GR84** Mini Clamp Tip Insert options.

Mount Options

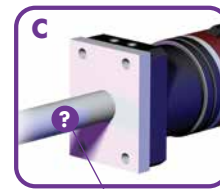
Step 1 - Mount Type Choose One

M **X** **X**

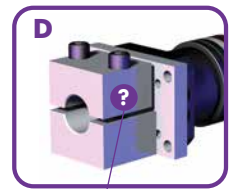
- A** Parallel Swivel Mount
- C** Rear Fixed Welded Style
- D** Rear Fixed Clamp Mount
- X** No Mount



1 **3**
Mount Ball Sizes Available



1 **3**
Mount Rod Sizes Available



7
Mount Size Available

Step 2 - Mount Ball/Rod Type Choose One

M **X** **X**

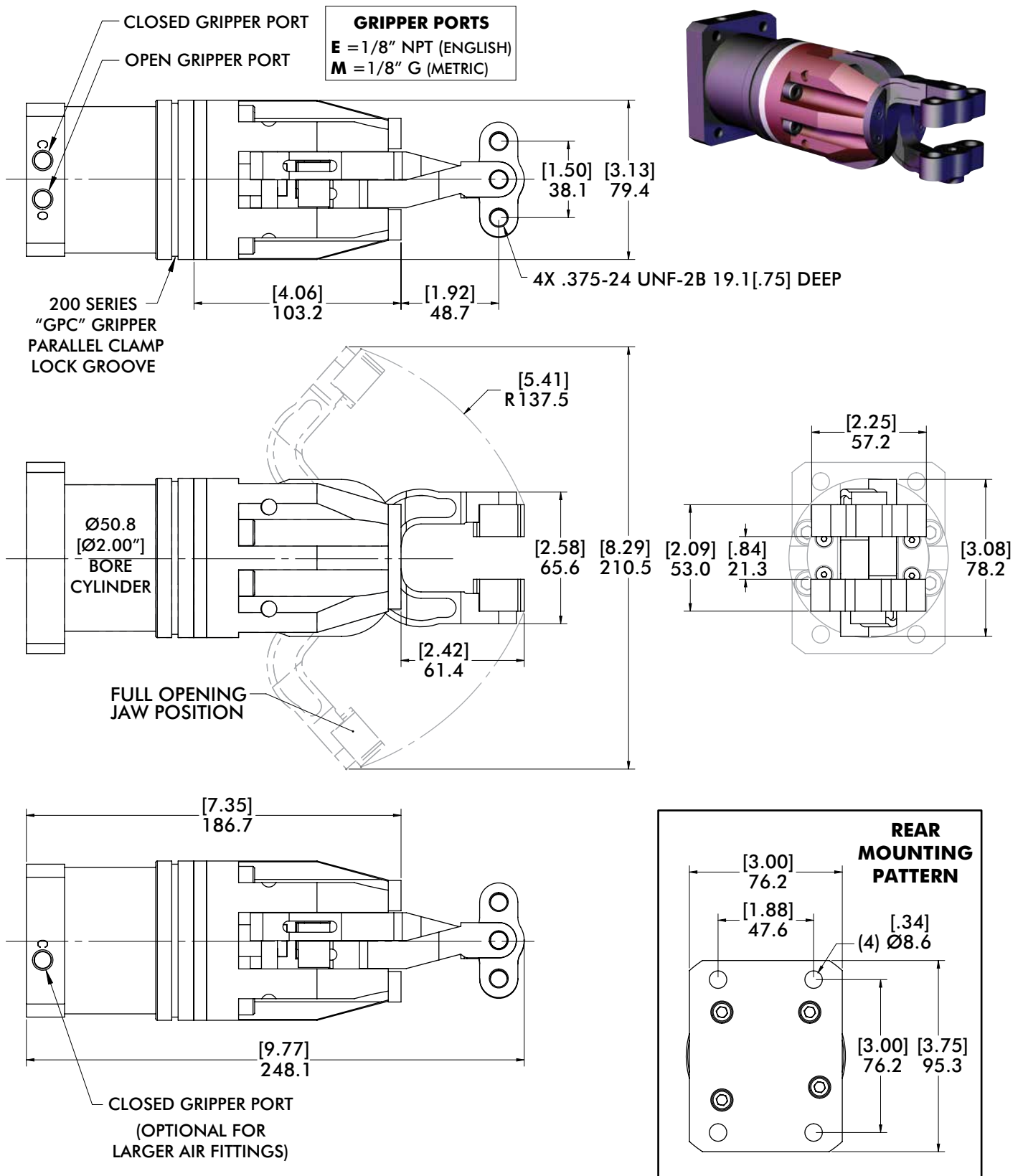
- 1** 1.00" w/Metric Fasteners (A & C Only)
- 3** 25mm Metric Fasteners (A & C Only)
- 7** M1514 (Type D Only)
- X** No Mount



GR1-20 SERIES

Toggle Lock Sheet Metal Grippers | Dimensions

"180" 180° Angular Jaw Arrangement - Double Insert

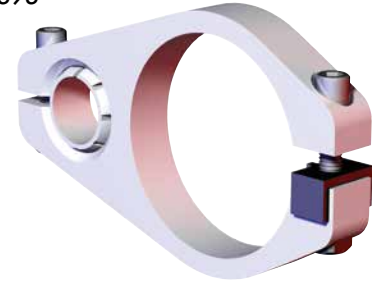
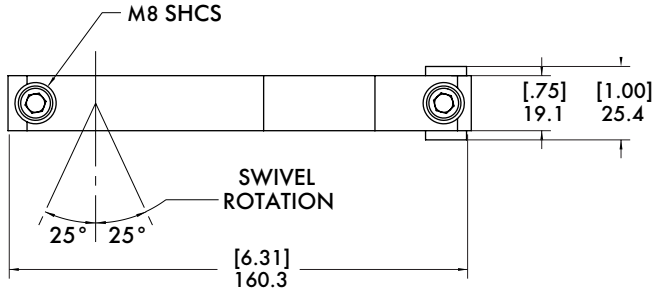


GR1-20 SERIES

Toggle Lock Sheet Metal Grippers | Dimensions and Ordering Information

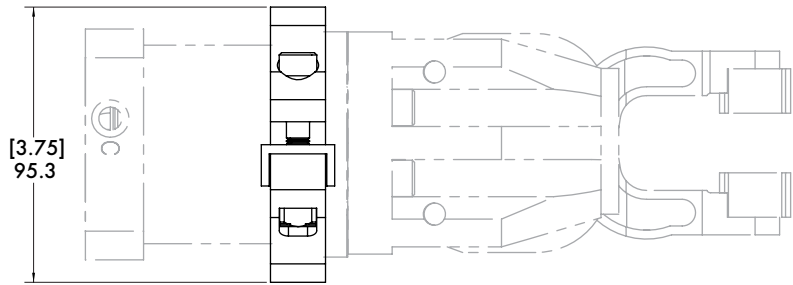
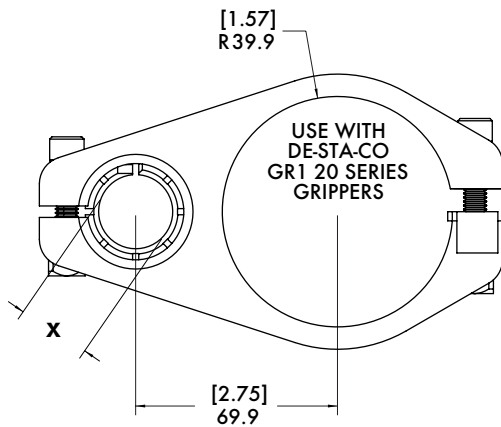
“MAX” Swivel Parallel Gripper Mounts

PATENT# 6,988,696



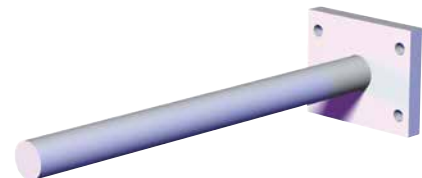
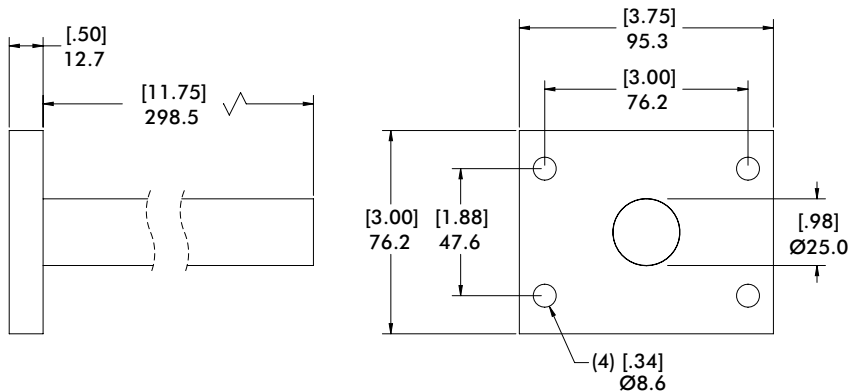
Snap-In Ball

Special patented design allows user to replace ball without disassembly



Mounting Option	Rod/Ball "X"	Replacement Part #
MA1	Ø1.00"	CPI-GPC-200-100S-DC
MA3	Ø25mm	CPI-GPC-200-25MS-DC

“MCx” Rear Fixed Welded Mount

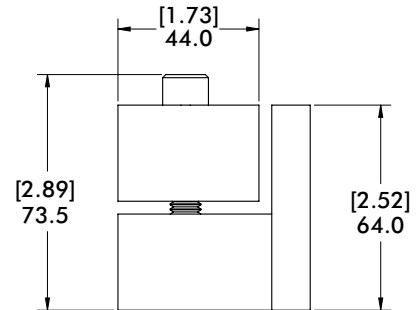
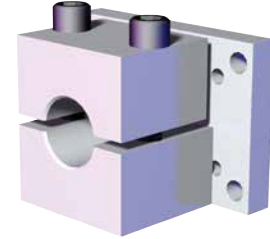
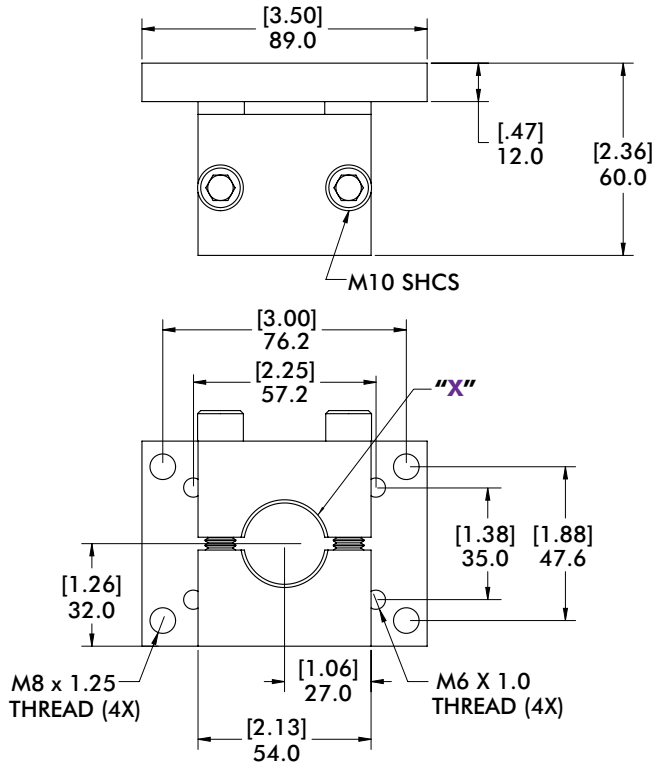


Mounting Option	Rod/Ball "X"	Replacement Part #
MC1	Ø1.00"	CPI-RJM-200-100
MC3	Ø25mm	CPI-RJM-200-25

GR1-20 SERIES

Toggle Lock Sheet Metal Grippers | Dimensions, Ordering Information

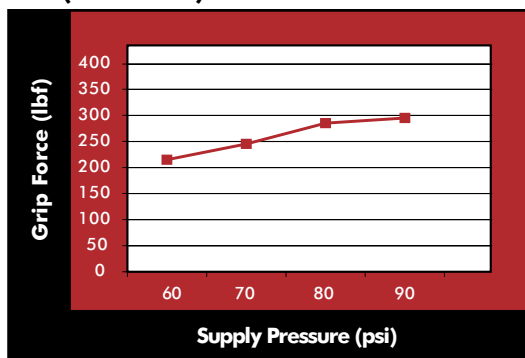
"MD7" Rear Fixed Clamp Mount



Mounting Option	Rod/Ball "X"	Replacement Part #
MD7	Ø1.00"	M1514

Technical Information

180 (20 SERIES)



"180" 180° Angular



Weight:
2.4 kg [5.4 lb]
Grip Range:
0" - 0.125" [0 - 3mm]

Air Requirements:

Recommended operating Pressure:
2-6 bar [30-90 psi]
Ports: 1/8" BSPP [1/8" NPT]
Air flow controls recommended for maximum life

Operating Temperature:

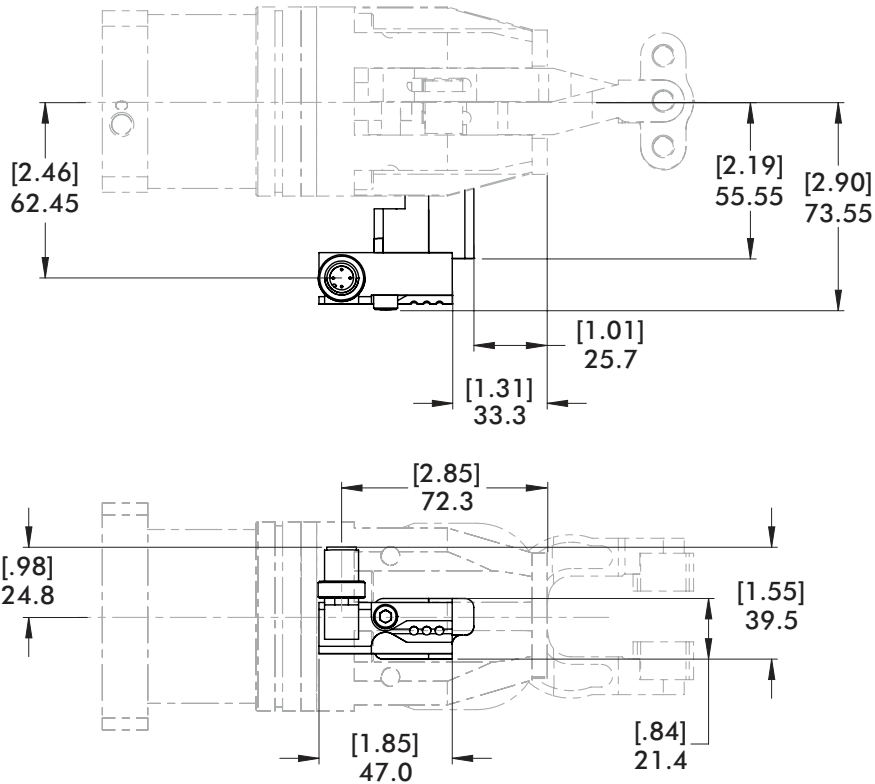
0° - 93°C [32° - 200°F]

SHEET METAL GRIPPERS

Toggle Lock Sheet Metal Grippers | Dimensions, Technical and Ordering Information

"T04" Open/Closed Sensor Option

This sensor option can only be used at full stroke.

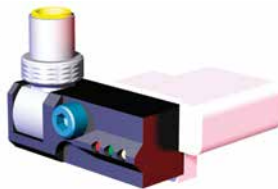


Replacement Part

CPI-GR1-15-TK-DC-T04

This Sensor Part Number is used on the following GR1 Gripper Styles

"T04"



This sensor option is used in conjunction with a special gripper body used in place of the standard gripper body in order for the sensor to function properly.

"T04" Proximity Switch Wiring



- PIN 1) BROWN: POSITIVE POWER
- PIN 2) BLACK: SIGNAL FOR GRIPPER CLOSED
- PIN 3) BLUE: NEGATIVE POWER
- PIN 4) BLACK: SIGNAL FOR GRIPPER OPEN

3 amps, 250 volts, VDC
4-Pin Euro Micro Connector

SHEET METAL GRIPPERS

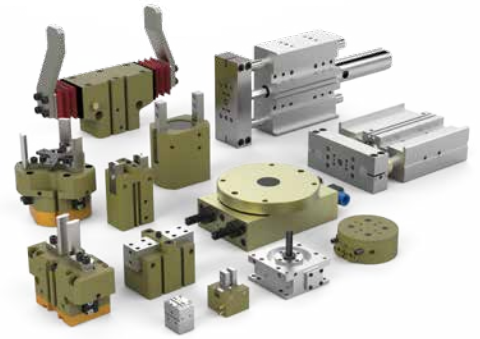
Notes

OUR PORTFOLIO OF PRODUCTS



End Effectors (EE)

- Tool Changers
- End-of-Arm Tooling
- Vacuum Products
- Palletizing Solutions



Grippers (GR)

- Electric Grippers
- Pneumatic and Sheet Metal Grippers
- Rotates
- Slides



Indexers (IN)

- Precision Conveyors
- Dial Indexers
- Shaft and Flange Indexers
- Part Handlers



Power Clamps (PC)

- Power Clamps
- Pin Clamps and Packages
- Pivot Units
- Power Cylinders



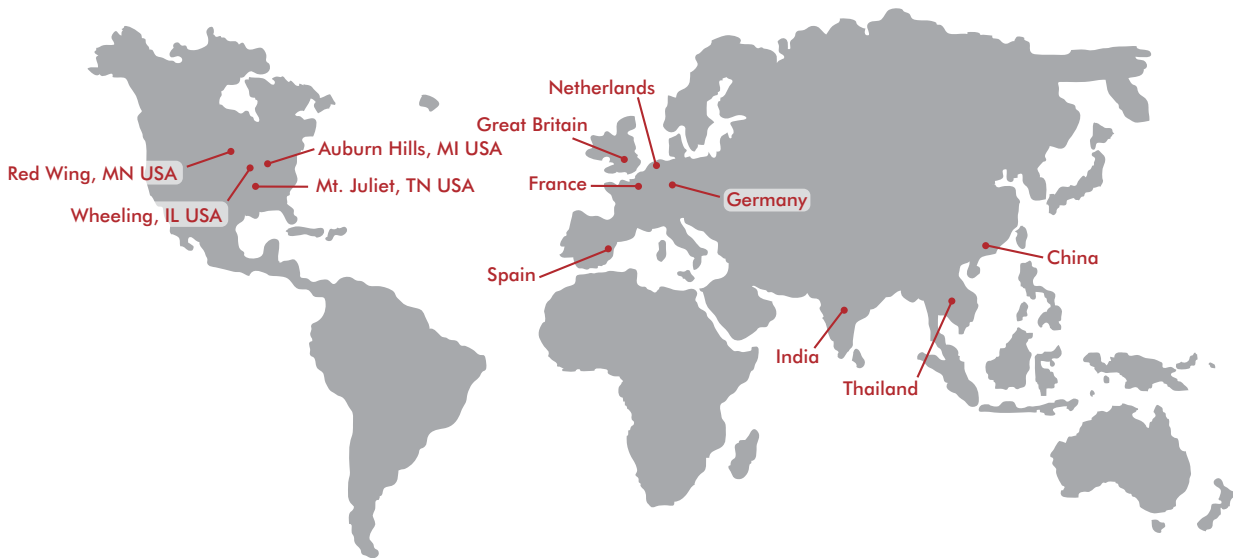
Manual Clamps (MC)

- Hold Down
- Squeeze Action
- Plunger, Hook and Latch
- Pneumatic Toggle and Swing



Sheet Metal Grippers (SM)

- Accelerate® Press Room
- Cam Type
- Toggle Lock



GLOBAL LOCATIONS

NORTH AMERICA

Corporate Headquarters

Auburn Hills, Michigan
Toll Free: 1.888.DESTACO
Marketing: marketing@destaco.com

Global Technology Center

Auburn Hills, Michigan
Tel: 1.248.836.6700
Customer Service: customerservice@destaco.com

Mt. Juliet, Tennessee
Tel: 1.888.DESTACO
Customer Service: customerservice@destaco.com

Wheeling, Illinois
Tel: 1.800.645.5207
Customer Service: camco@destaco.com

Red Wing, Minnesota (Central Research Laboratories)
Tel: 651.385.2142
Customer Service: sales@centres.com

ASIA

Thailand
Tel: +66-2-326-0812
Customer Service: info@destaco.com

China
Tel: +86-21-6081-2888
Customer Service: china@destaco.com

India
Tel: +91-80-41123421-426
Customer Service: india@destaco.com

EUROPE

Germany
Tel: +49-6171-705-0
Customer Service: europe@destaco.com

France
Tel: +33-4-73545001
Customer Service: france@destaco.com

Great Britain
Tel: +44-1902-797980
Customer Service: uk@destaco.com

Spain
Tel: +34-936361680
Customer Service: spain@destaco.com

Netherlands
Tel: +31-297285332
Customer Service: benelux@destaco.com