

84L3-2 SERIES

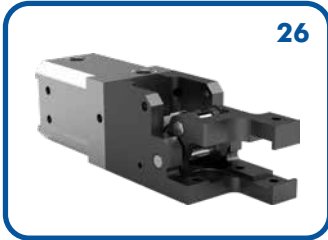
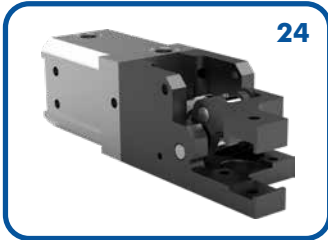
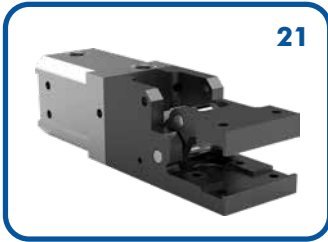
Cam Type Sheet Metal Grippers | Ordering Information



Jaw Arrangement Options

Description

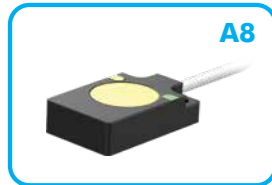
- 21** Double
- 24** Single, Right
- 26** Single, Left



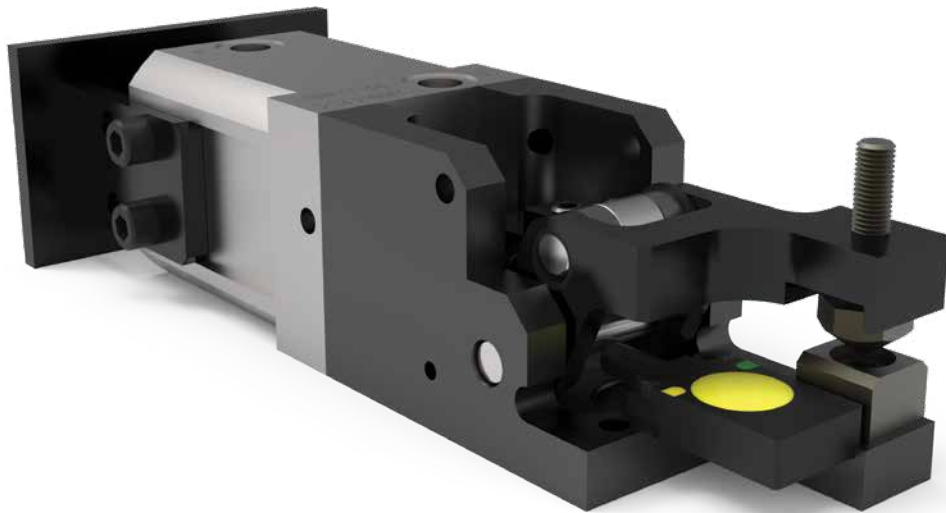
Sensor Options

Description

- 00** None
- A8** Workpiece Control, Switching Distance 7mm
8EA-092-1
- A9** Workpiece Control, Switching Distance 7mm,
M12x1 Plug, 3 Pin - 8EA-092-2



Shims for Sensor available
Order Separately **8MB-003-1**



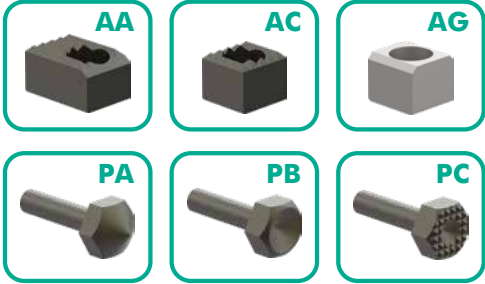
84L3-2 SERIES

Cam Type Sheet Metal Grippers | Ordering Information

Gripper Teeth and Points Options

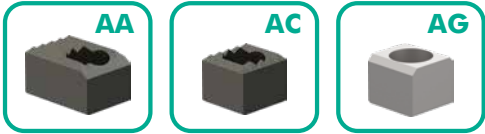
Upper Teeth Options

- 00** None
- AA** 14,9x21x12mm - 8JZ-014-3
- AC** 14,9x14x12mm - 8JZ-043-1
- AG** 14,9x14x12mm - 8JZ-050-1
- PA** 8MJ-1001-1
- PB** 8MJ-1002-1
- PC** 8MJ-1003-1



Lower Teeth Options

- 00** None
- AA** 14,9x21x12mm - 8JZ-014-3
- AC** 14,9x14x12mm - 8JZ-043-1
- AG** 14,9x14x12mm - 8JZ-050-1

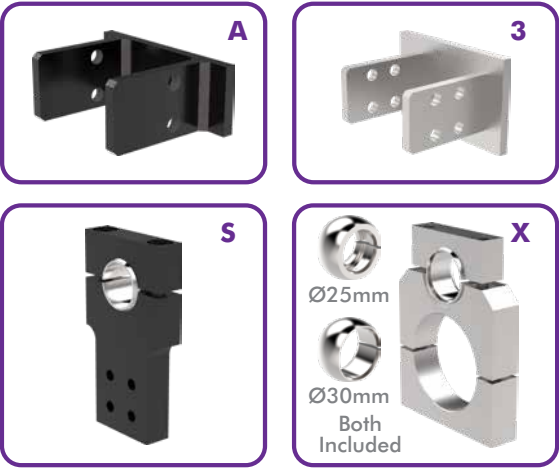


Shims for gripper teeth available
Order Separately **8SB-003-1**
Dimensions: 14,8 x 13 x 0,15 mm

Mounting Options

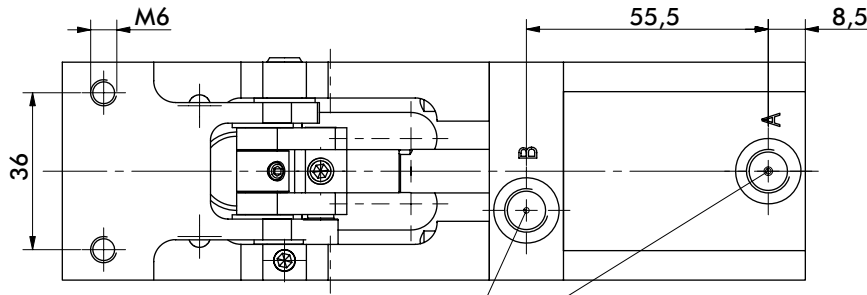
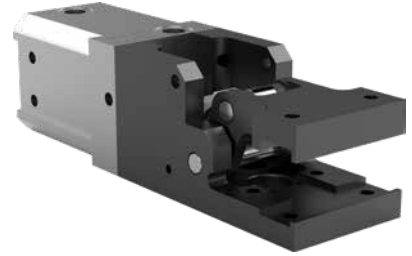
Description

- 0** None
- A** Rear Flange - 8MA-006-1
- 3** Rear Flange - 8MA-273-1
- S** Rear Swivel Ball - 82ZB-007-1
- X** On-Body Swivel Ball - 82ZB-033-2

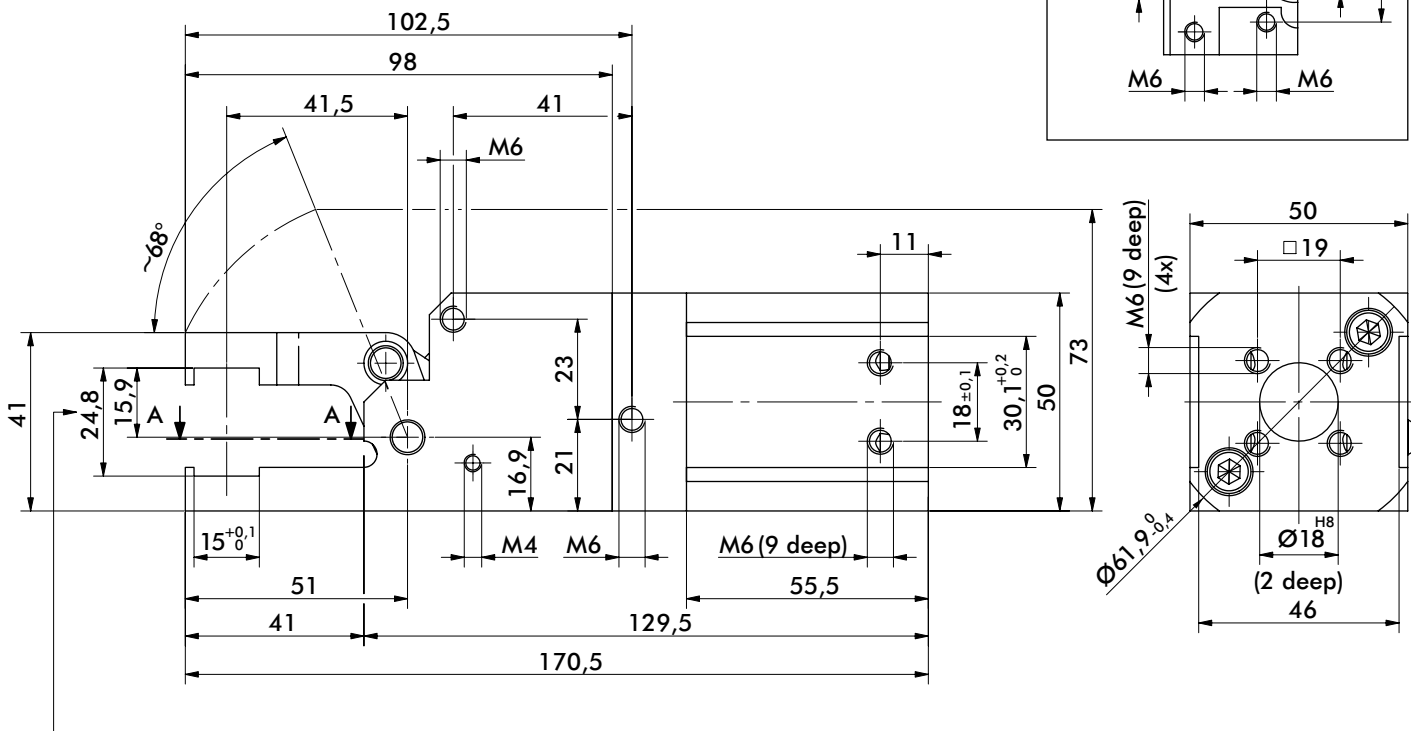
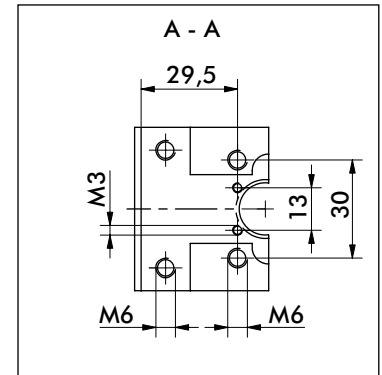


84L3-21 SERIES

Cam Type Sheet Metal Grippers | Dimensions and Technical Specifications



Air connection G1/8. Turning cylinder-air connection possible in 4x 90° increments.



Addition of gripper teeth height and thickness of the clamped plate must be 24,8 mm. It might be necessary to use shim plates or to grind off the gripper teeth.

Medium air, max. 6 bar. Operation with oil-free air is permissible.

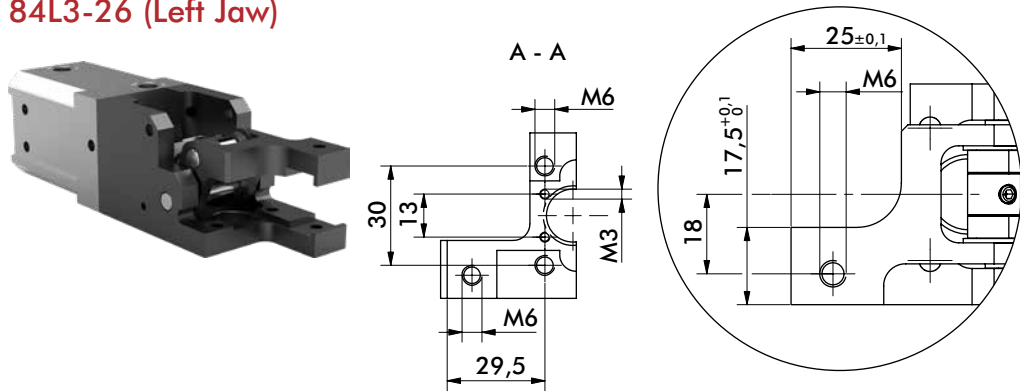
NOTE! Any extension of the moveable or fixed gripper jaws as well as the additional attachment of weights will void warranty.

Model	Clamping Force at 5 bar ~N [lbs]	Piston mm [in.]	Air Consumption per Double Stroke at 5 bar [L]	Weight Kg [lbs]	Acuation Time Open/Close Sec.
84L3-21	135 [30.3]	32 [1.26]	0,3	0,8 [1.76]	0.2

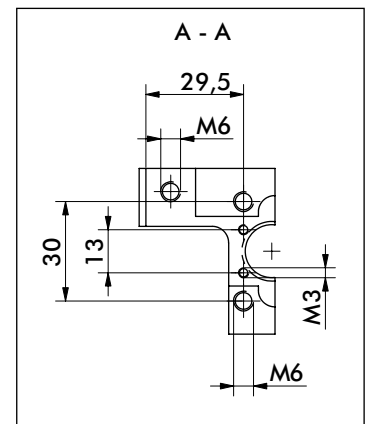
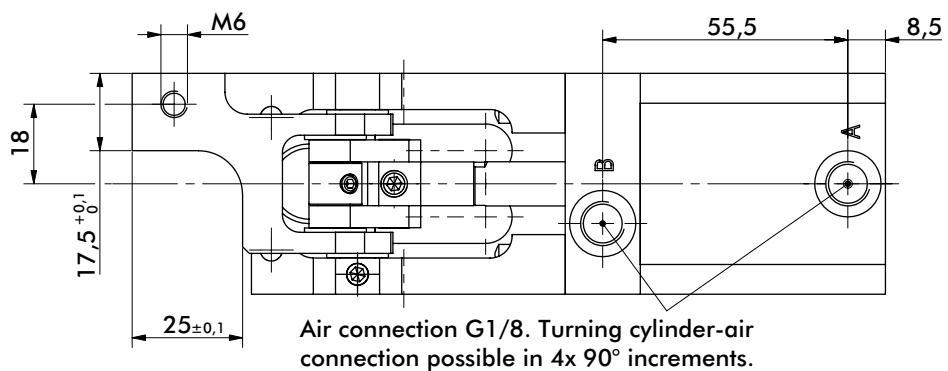
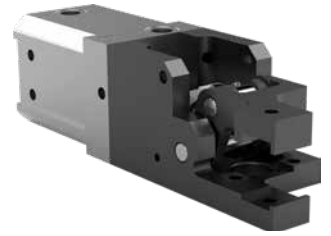
84L3-24/84L3-26 SERIES

Cam Type Sheet Metal Grippers | Dimensions and Technical Specifications

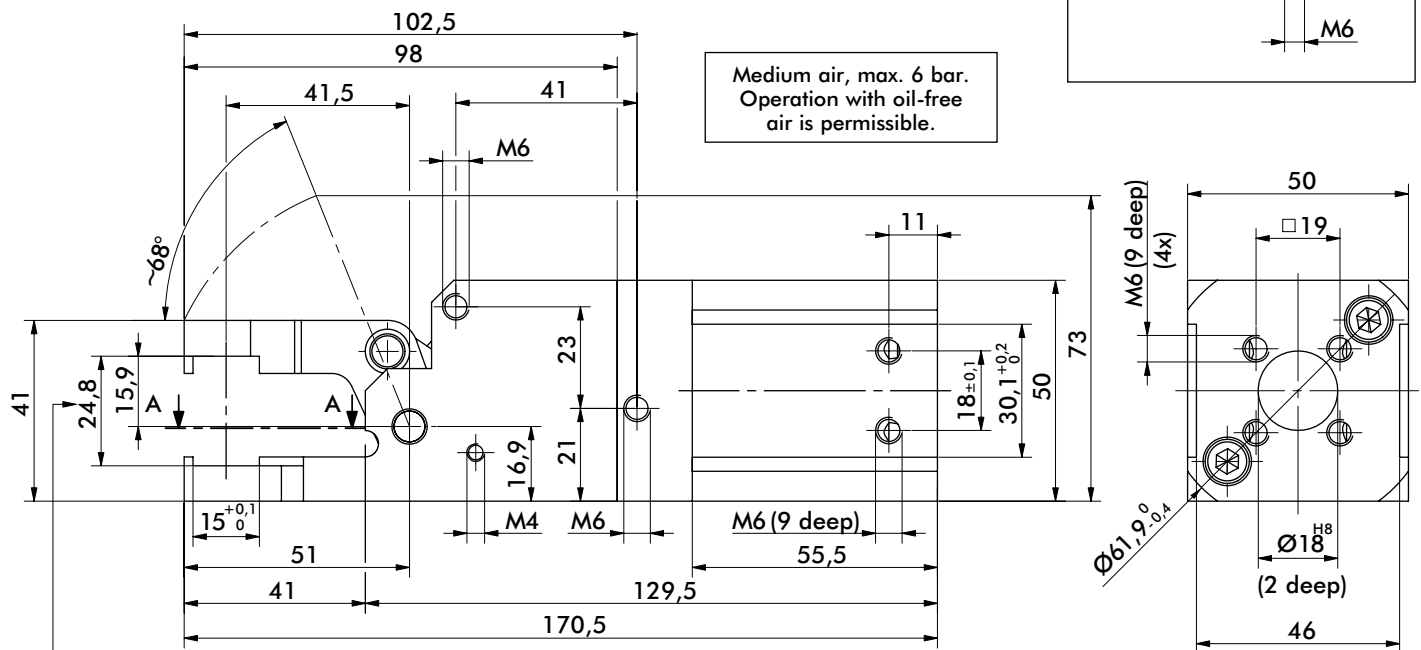
84L3-26 (Left Jaw)



84L3-24 (Right Jaw)



Medium air, max. 6 bar.
Operation with oil-free air is permissible.



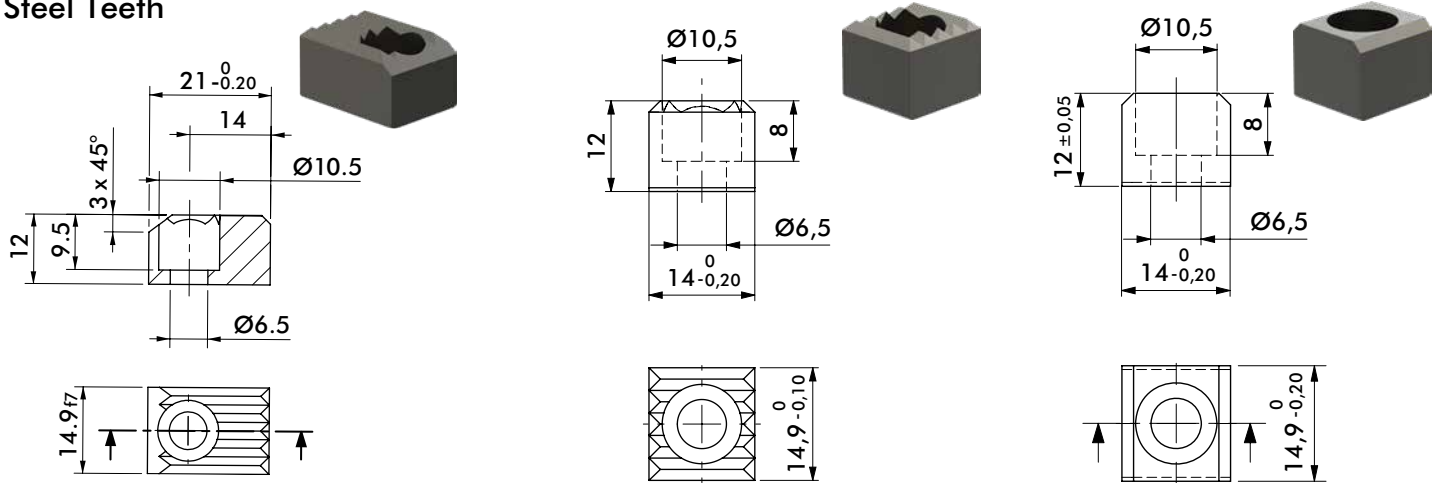
NOTE! Any extension of the moveable or fixed gripper jaws as well as the additional attachment of weights will void warrantee.

Model	Clamping Force at 5 bar ~N [lbs]	Piston mm [in.]	Air Consumption per Double Stroke at 5 bar [L]	Weight Kg [lbs]	Actuation Time Open/Close Sec.
84L3-24/84L3-26	135 [30.3]	32 [1.26]	0,3	0,75 [1.65]	0.2

84L3 SERIES ACCESSORIES

Cam Type Sheet Metal Grippers | Dimensions and Ordering Information

Steel Teeth

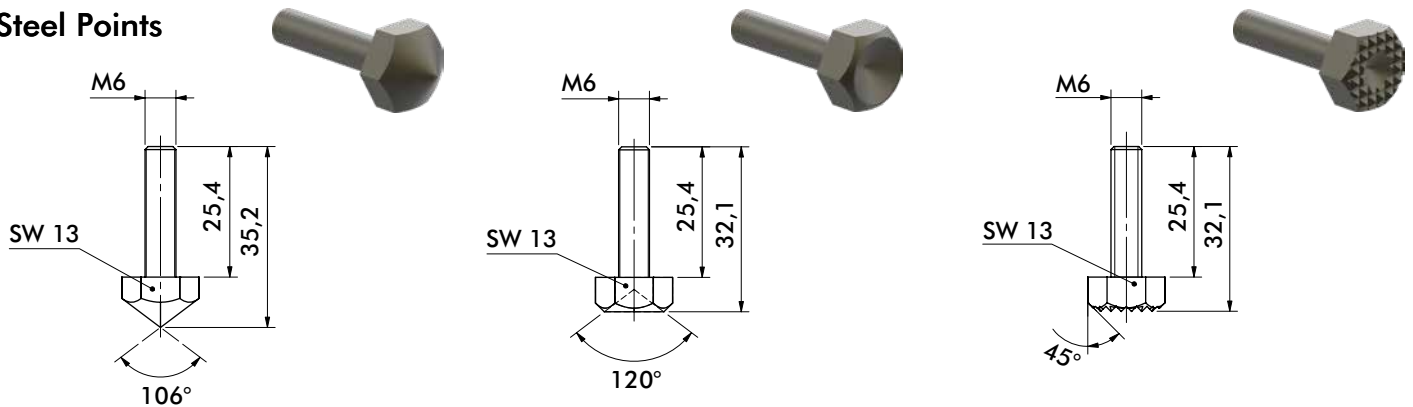


Steel Teeth Part Number
Serrated **8JZ-014-3**

Steel Teeth Part Number
Serrated **8JZ-043-1**

Steel Teeth Part Number
Flat **8JZ-050-1**

Steel Points

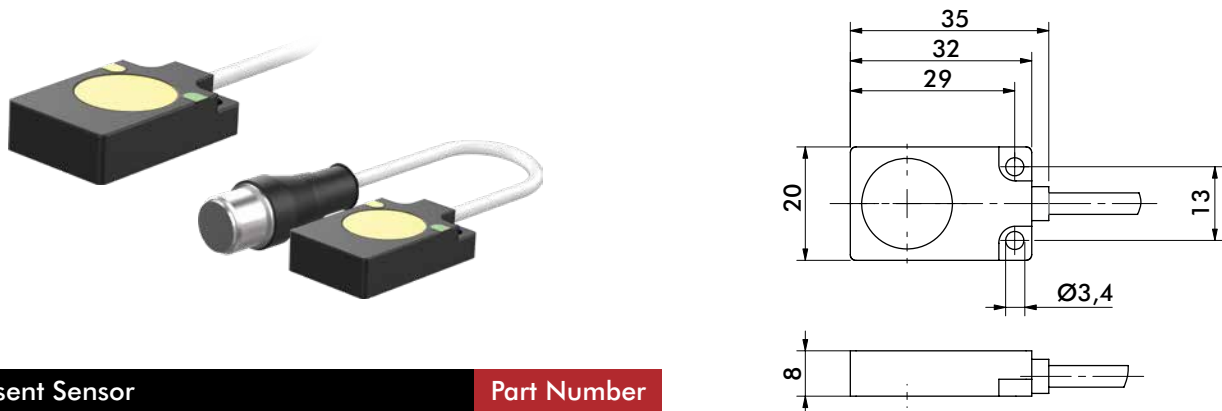


Steel Point Part Number
Pointed **8MJ-1001-1**

Steel Point Part Number
Flat **8MJ-1002-1**

Steel Point Part Number
Serrated **8MJ-1003-1**

Sensors

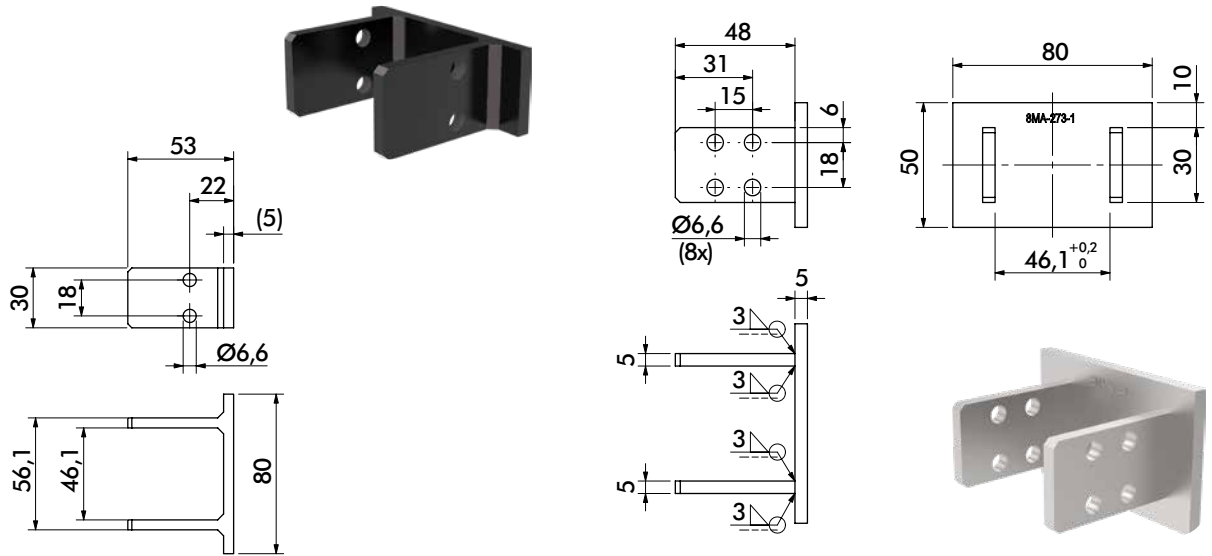


Part Present Sensor Part Number
Switching Distance 7mm **8EA-092-1**
Switching Distance 7mm, M12x1 Plug, 3 Pin **8EA-092-2**

84L3 ACCESSORIES

Cam Type Sheet Metal Grippers | Dimensions and Ordering Information

Mounts



Mount

Part Number

Rear Flange

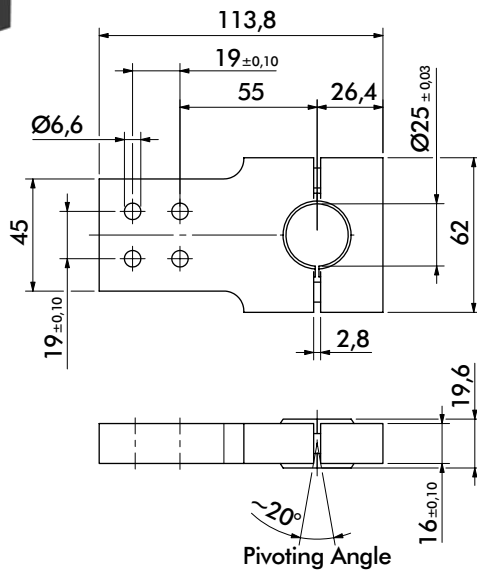
8MA-006-1

Mount

Part Number

Rear Flange

8MA-273-1

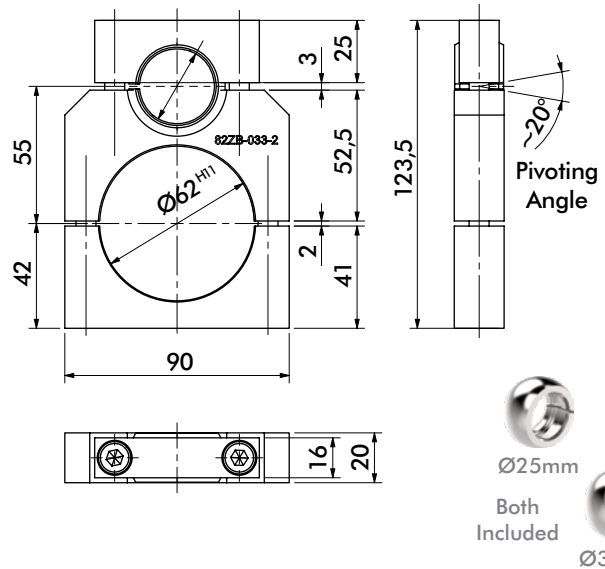


Mount

Part Number

Rear Swivel Ball

82ZB-007-1



Mount

Part Number

On-Body Swivel Ball

82ZB-033-2