

84L2-1 SERIES

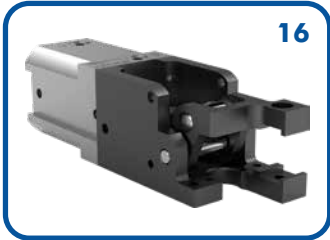
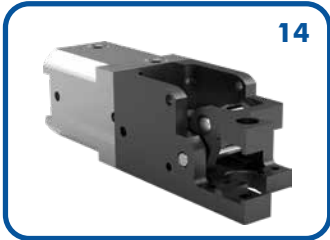
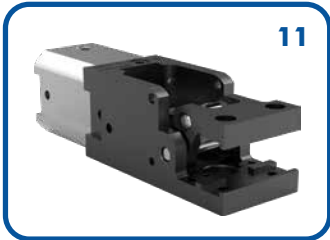
Cam Type Sheet Metal Grippers | Ordering Information



Jaw Arrangement Options

Description

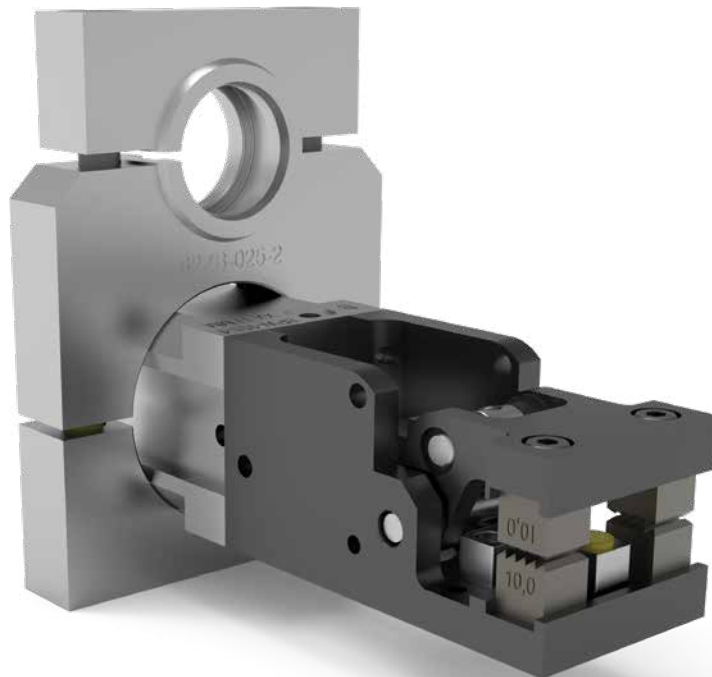
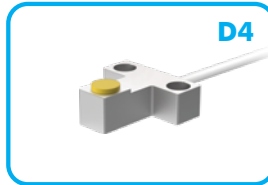
- 11** Double
- 14** Single, Right
- 16** Single, Left



Sensor Options

Description

- 00** None
- D4** Part Present Sensor, 3mm Sensing Distance, 2m Cable
8EA-164-1
- D7** Part Present Sensor, 3mm Sensing Distance, M12x1 Plug
8EA-165-1



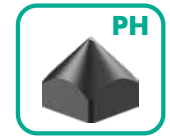
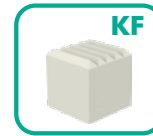
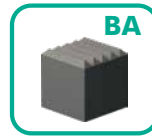
84L2-1 SERIES

Cam Type Sheet Metal Grippers | Ordering Information

Gripper Teeth Options

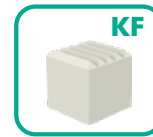
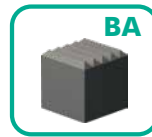
Upper Teeth Options

- 00** None
- BA** Hardened - 8JZ-027-1
- BB** Soft Steel - 8JZ-028-1
- KF** 90 Shore - 8JZ-045-2
- PH** Hardened - 8JZ-029-1



Lower Teeth Options

- 00** None
- BA** Hardened - 8JZ-027-1
- BB** Soft Steel - 8JZ-028-1
- KF** 90 Shore - 8JZ-045-2



Shims for gripper teeth available
Order Separately **8SB-039-1**
Dimensions: 10 x 10 x 0,1 mm

Mounting Options

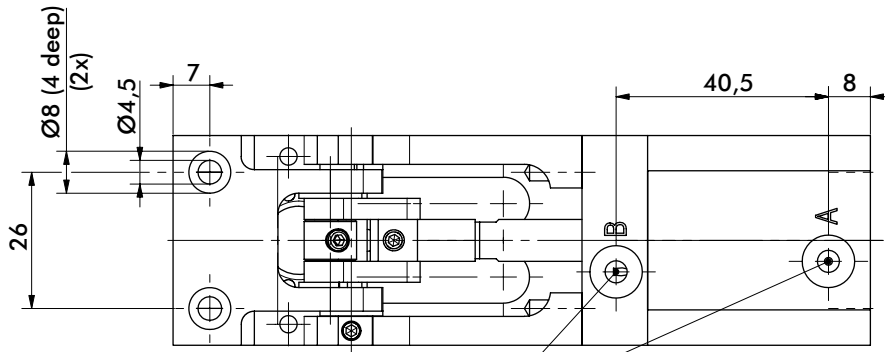
Description

- 0** None
- I** Ø20mm Rear Rod - 8MA-165-1
- J** Ø25mm Rear Rod - 8MA-166-1
- Z** Ø1.00" Rear Rod - 8MA-168-1
- V** Rear Flange - 8MA-147-1
- W** On-Body Swivel Ball - 82ZB-025-2

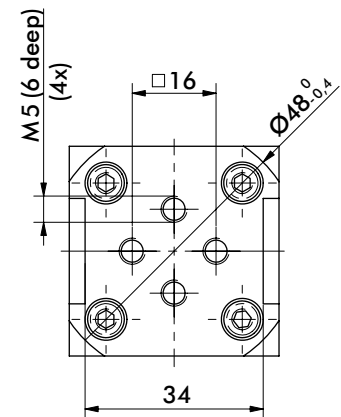
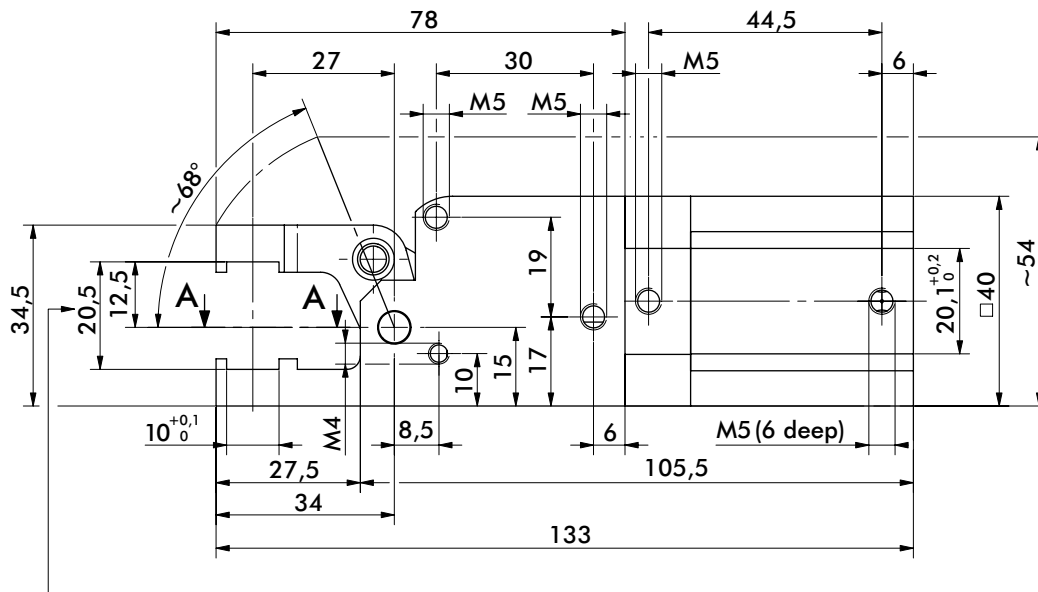
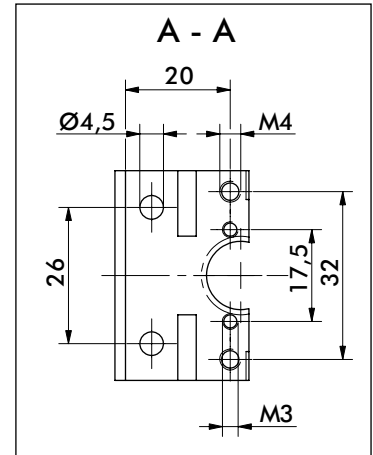


84L2-11 SERIES

Cam Type Sheet Metal Grippers | Dimensions and Technical Specifications



Air connection M5. Turning cylinder-air connection possible in 4x 90° increments.



Addition of gripper teeth height and thickness of the clamped plate must be 20,5 mm. It might be necessary to use shim plates or to grind off the gripper teeth.

Medium air, max. 6 bar. Operation with oil-free air is permissible.

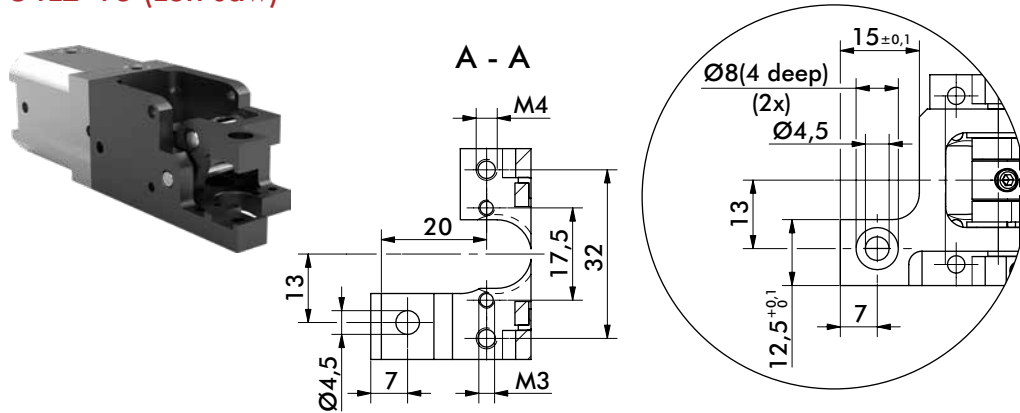
NOTE! Any extension of the moveable or fixed gripper jaws as well as the additional attachment of weights will void warrantee.

Model	Clamping Force at 5 bar ~N [lbs]	Piston mm [in.]	Air Consumption per Double Stroke at 5 bar [L]	Weight Kg [lbs]	Acuation Time Open/Close Sec.
84L2-11	74 [16.6]	25 [0.98]	0,19	0,4 [0.88]	0.2

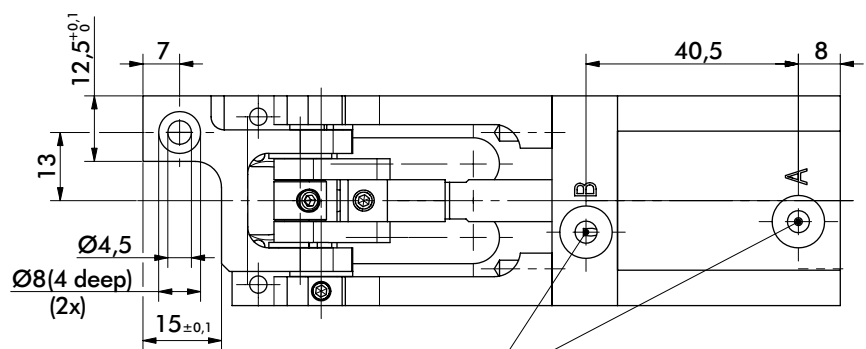
84L2-14/84L2-16 SERIES

Cam Type Sheet Metal Grippers | Dimensions and Technical Specifications

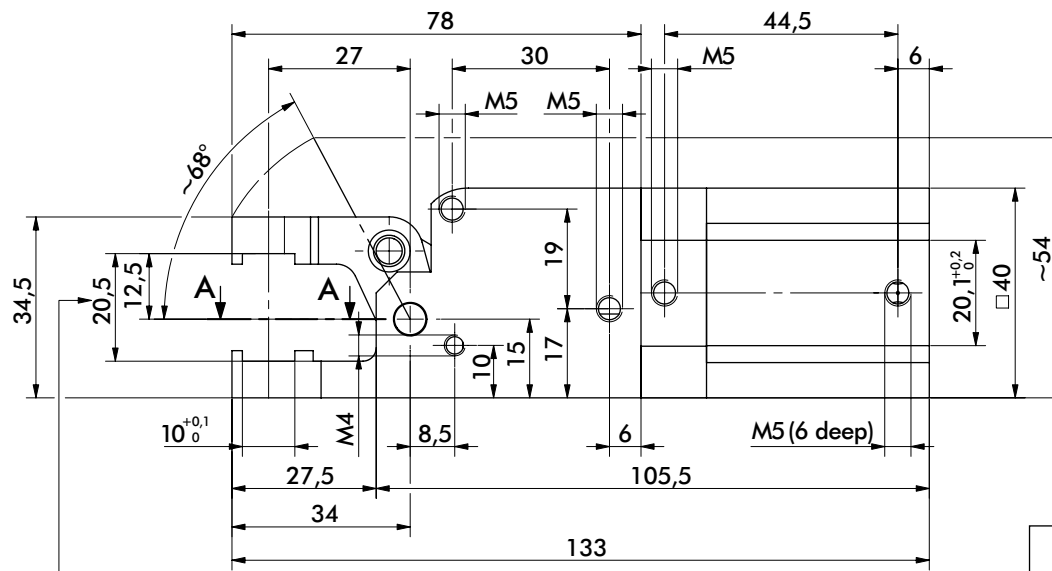
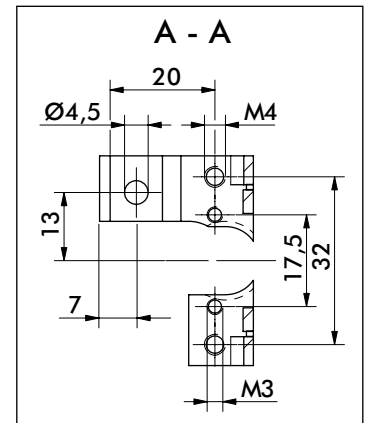
84L2-16 (Left Jaw)



84L2-14 (Right Jaw)



Air connection M5. Turning cylinder-air connection possible in 4x 90° increments.



Addition of gripper teeth height and thickness of the clamped plate must be 20,5 mm. It might be necessary to use shim plates or to grind off the gripper teeth.

Medium air, max. 6 bar. Operation with oil-free air is permissible.

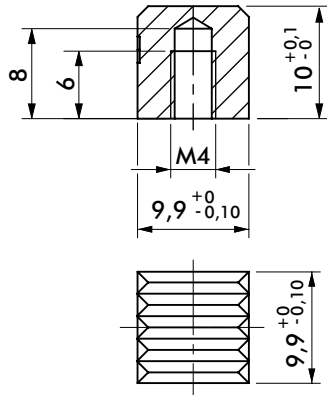
NOTE! Any extension of the moveable or fixed gripper jaws as well as the additional attachment of weights will void warrantee.

Model	Clamping Force at 5 bar ~N [lbs]	Piston mm [in.]	Air Consumption per Double Stroke at 5 bar [L]	Weight Kg [lbs]	Acuation Time Open/Close Sec.
84L2-14/84L2-16	74 [16.6]	25 [0.98]	0,19	0,37 [0.82]	0.2

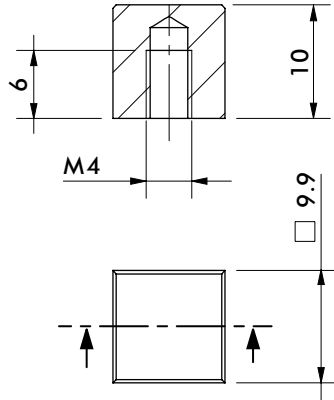
84L2-4 SERIES ACCESSORIES

Cam Type Sheet Metal Grippers | Dimensions and Ordering Information

Steel Teeth

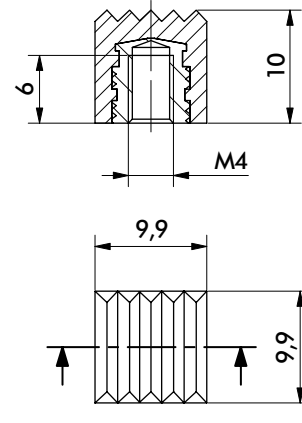
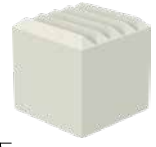


Hardened Steel Teeth Part Number
Serrated **8JZ-027-1**



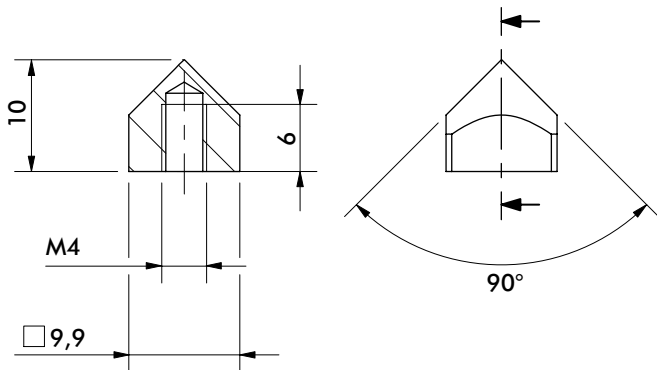
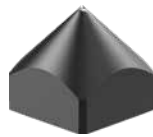
Soft Steel Teeth Part Number
Non-Serrated **8JZ-028-1**

Plastic Teeth



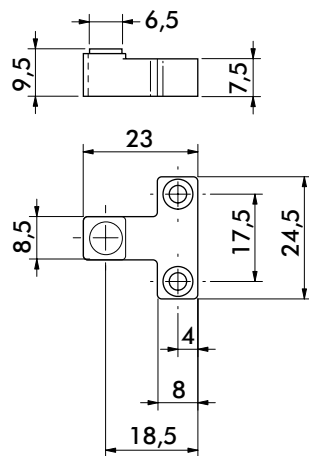
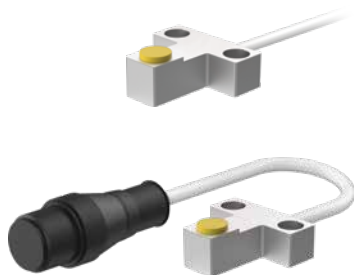
Plastic Teeth Part Number
90 Shore, Serrated **8JZ-045-2**

Steel Points



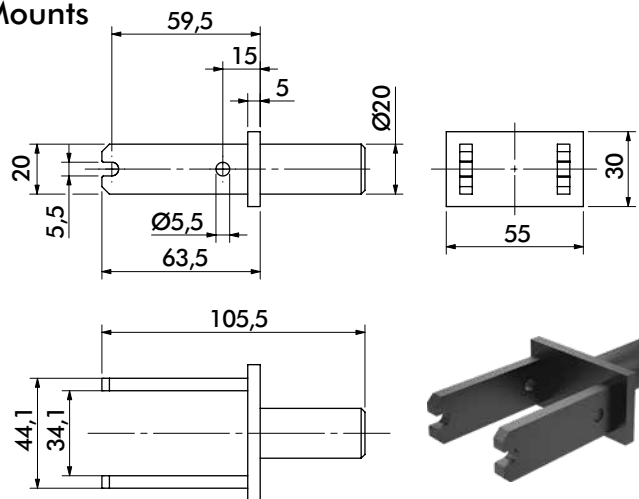
Hardened Steel Point Part Number
Pointed **8JZ-029-1**

Sensors



Part Present Sensor Part Number
3mm Sensing Distance, 2m Cable **8EA-164-1**
3mm Sensing Distance, M12X1 **8EA-165-1**

Mounts

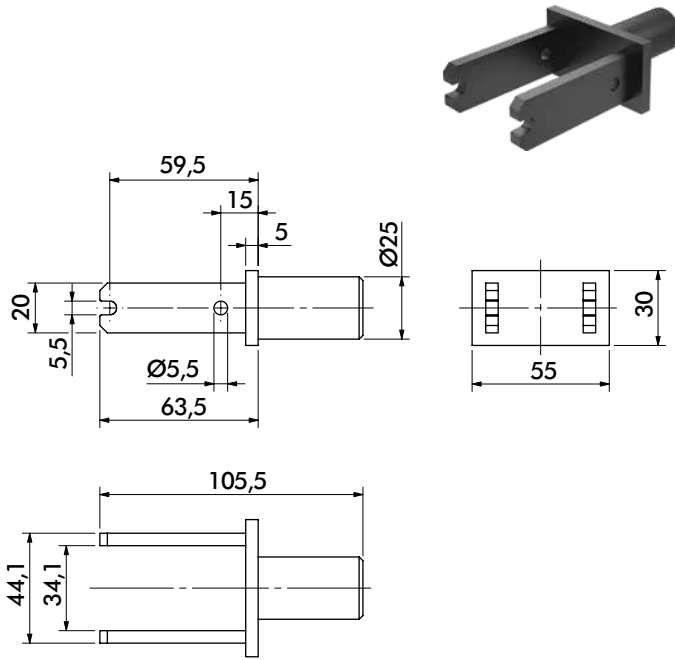


Mount Part Number
Ø20mm Rear Rod **8MA-165-1**

84L2-1 ACCESSORIES

Cam Type Sheet Metal Grippers | Dimensions and Ordering Information

Mounts

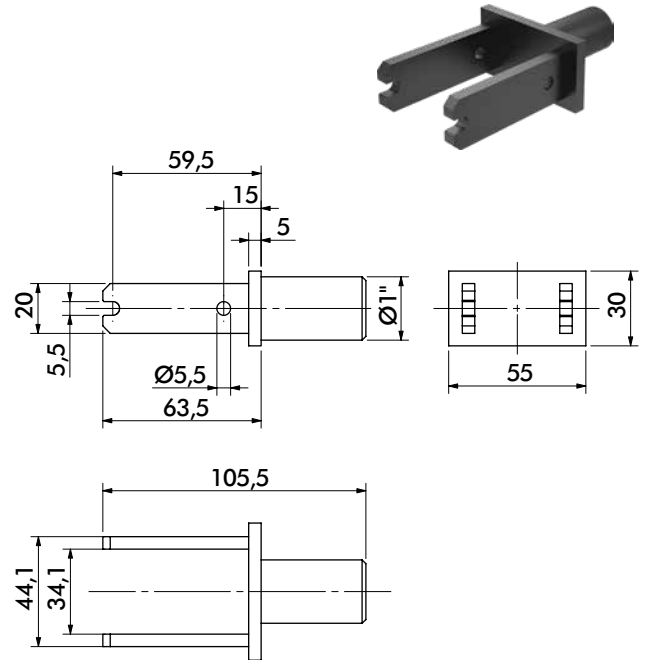


Mount

Ø25mm Rear Rod

Part Number

8MA-166-1

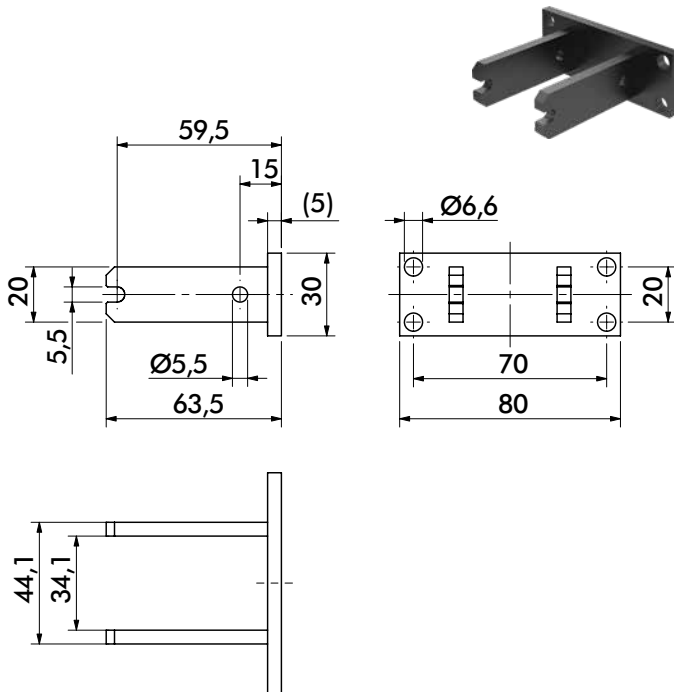


Mount

Ø1.00" Rear Rod

Part Number

8MA-168-1

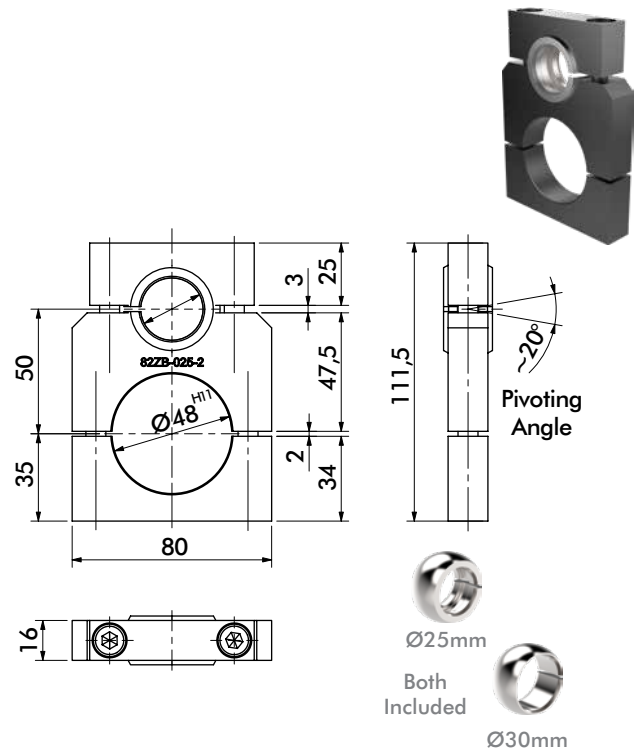


Mount

Rear Flange

Part Number

8MA-147-1



Mount

On-Body Swivel Ball

Part Number

82ZB-025-2