

# PRECISION INDEXING SOLUTIONS

## Table of Contents

### INDEXERS

#### Servo Positioners



**GTB Series**  
Globoidal (Roller Gear)  
Servo Positioner.....IN-SRV-1



**RSD Series**  
Rotary Servo Drives.....IN-SRV-39

#### Mechanical Indexers



**RDM Series**  
Rotary Index Drive ..... IN-MCH-2



**RD Series**  
Roller Dial Index Drive..... IN-MCH-18



**E Series**  
Heavy-Duty Index Drive ..... IN-MCH-30



**RA Series**  
Right Angle Index Drive ..... IN-MCH-42



**RGD/RGS Series**  
Roller Gear Index Drive ..... IN-MCH-52



**P Series**  
Parallel Shaft/Flange Drive.... IN-MCH-72



**RNG Series**  
Ring Drive Dial Indexer.....IN-MCH-84

### OVERLOAD CLUTCHES



**Overload Clutches**  
Output Overload..... IN-CLU-1

### CUSTOM CAMS



**Custom Cams**  
Cam Design Solutions ..... IN-CAM-1

### CONVEYORS



**Rite-Link Series**  
Thin-Profile.....IN-CNV-1



**Precision Link Series**  
Table-Top .....IN-CNV-4



**Precision Link Series**  
Heavy-Duty ..... IN-CNV-16

### PARTS HANDLERS



**LPP Series**  
Linear Part Handlers ..... IN-PRT-2



**RPP Series**  
Rotary Part Handlers ..... IN-PRT-8

# HEAVY DUTY MODULAR CONVEYORS

Features | Table of Contents



## Features:

---

**CAMCO Heavy Duty Precision Link Conveyors** combine excellent accuracy with high load capacity to provide the versatility needed to meet virtually any automated assembly or manufacturing challenge.

Standard link lengths of 6.0", 9.0" and 12"

Over/Under and Carousel configurations

Precision links with roller bearing cam followers for smooth transfer and long life

Provided with heavy-duty legs and a precision machined base designed to hold large loads and maintain system accuracy

Available with adjustable soft machine mounts to accommodate inconsistent on-site flooring

Customize length and height and add optional line shafts or tooling plates to fit your application

## Table of Contents

---

How to Order .....	3
Conveyor Options .....	4
6.0 Inch Heavy Duty .....	5
9.0 Inch Heavy Duty .....	7
12.0 Inch Heavy Duty .....	9

# HEAVY DUTY MODULAR CONVEYORS

## How To Order

### Required Information

- **Link Size:** 1.5, 2.0, 3.0, 4.5, 6.0, 9.0 or 12.0 inch
- **Type:** Table Top or Heavy Duty
- **Style:** Over/Under or Carousel
- **Length:** Standard per catalog or Custom, expressed as center distance, in inches
- **Height:** Standard per catalog or Custom, in inches

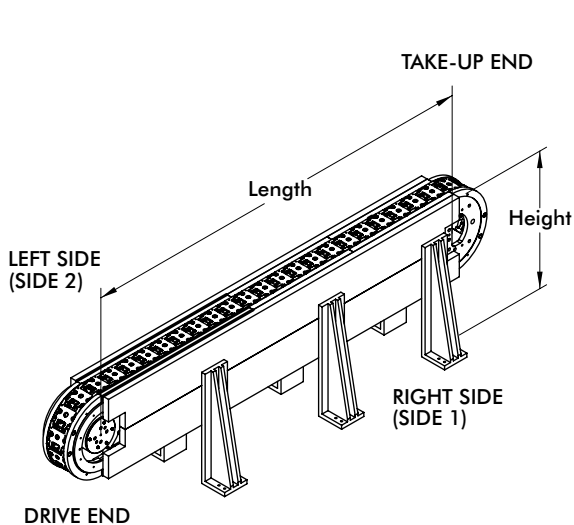
### Required Information when ordering Drive Package

- **Type:** Standard, Alternate, Heavy-Duty or Special
- **Drive Side:** 1 or 2 (for Over/Under)
- **Index Distance:** In inches
- **Indexer Model:** Specific model number or special

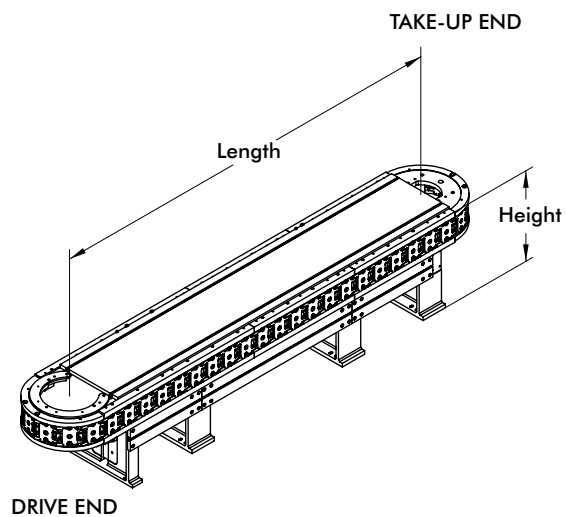
### Technical Assistance

All Precision Link Conveyor applications are verified by a CAMCO sales agent using the CAMCO Sizing Program.

Your CAMCO agent is available to make all sizing calculations for you.



OVER/UNDER

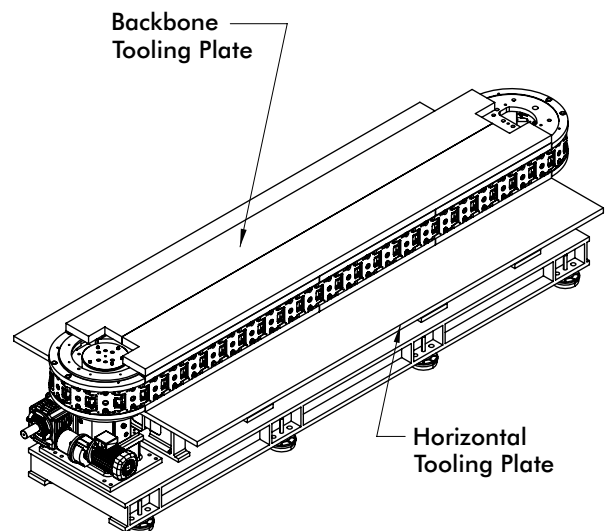
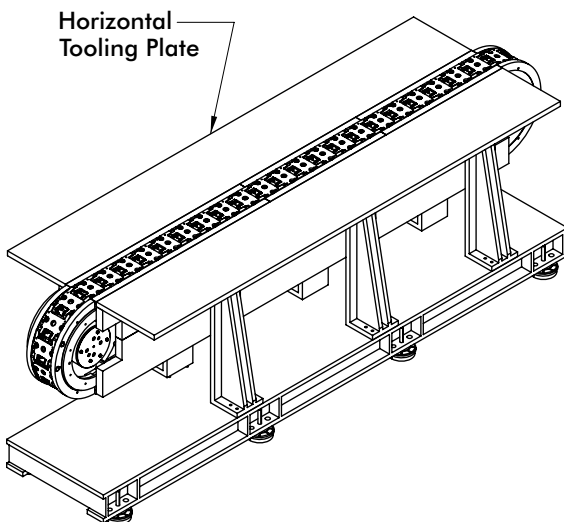
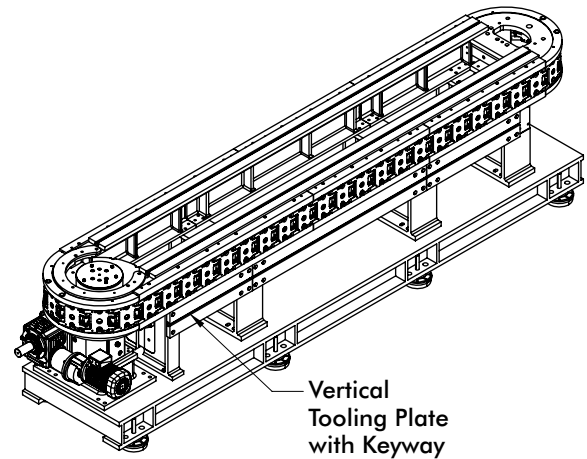
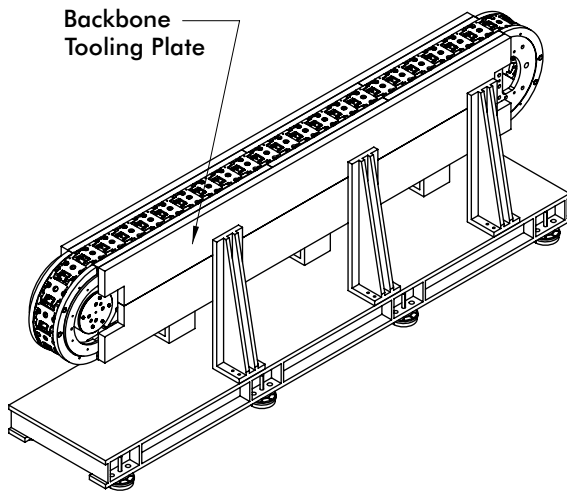


CAROUSEL

# HEAVY DUTY MODULAR CONVEYORS

## Options

CAMCO offers a wide variety of standard and custom options on all precision link conveyors. Tooling plates and conveyor mainframes can be ordered with custom hole configurations or burnouts. Other standard options include timing chains, timing belts and extended lineshafts. Standard drive package options include CAMCO indexers with AC motors and clutch-brakes, DC motors or servo motors. CAMCO's special Indexer output overload clutches are highly recommended to protect the indexer, link assembly and tooling.



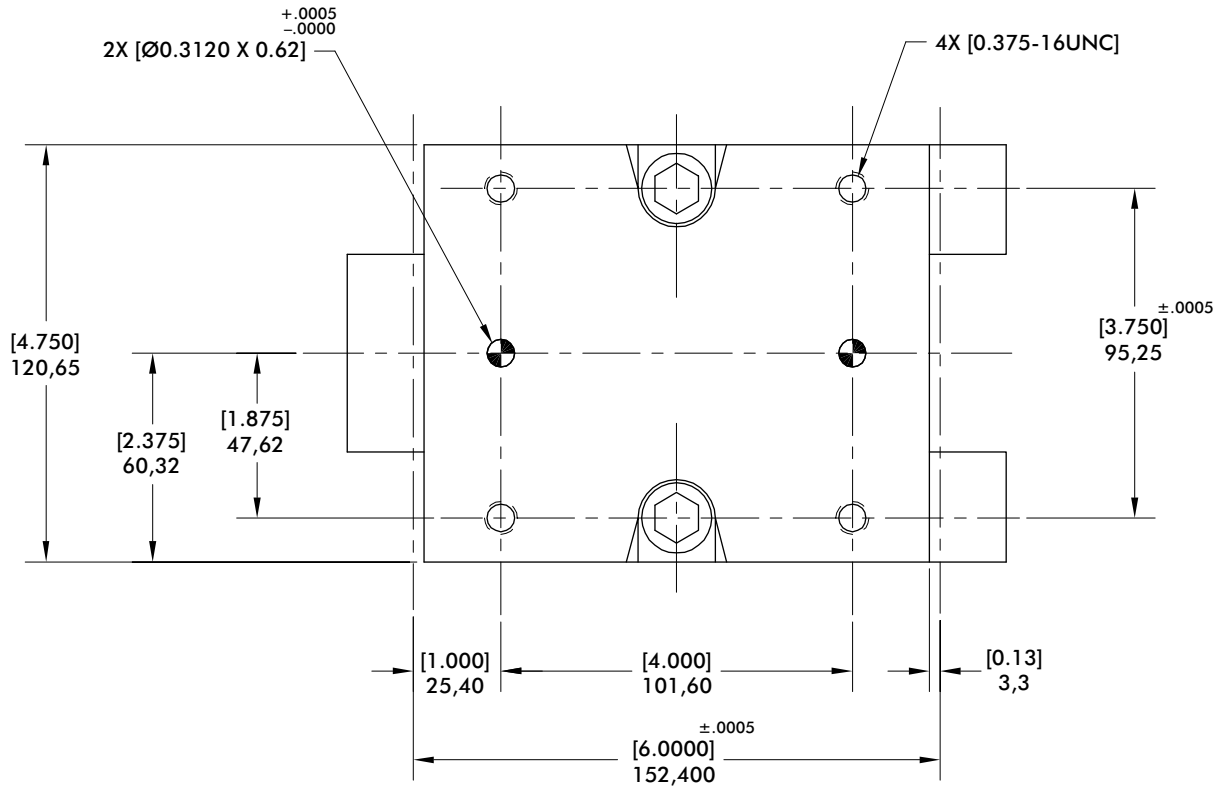
### Using Cambot Parts Handlers with Precision Link Conveyors

Cambot linear pick-and-place parts handlers have custom cam motions incorporated into each unit, providing complex synchronize timings for your application. They can be mounted onto the backbone tooling plates of the conveyor. Cambot linear pick-and-place parts handlers can be belt driven off a common line shaft for perfect synchronization. See the Rotary Parts Handler section (page IN-RPP-2) for other possible configurations, such as a rotary pick-and-place device loading parts from a continuous line conveyor to a CAMCO index drive conveyor.

# 6.0 INCH HEAVY DUTY SERIES

## Heavy Duty Modular Conveyors | Dimension

Link



### Modular Conveyor (drive package)

#### Standard Drive Package

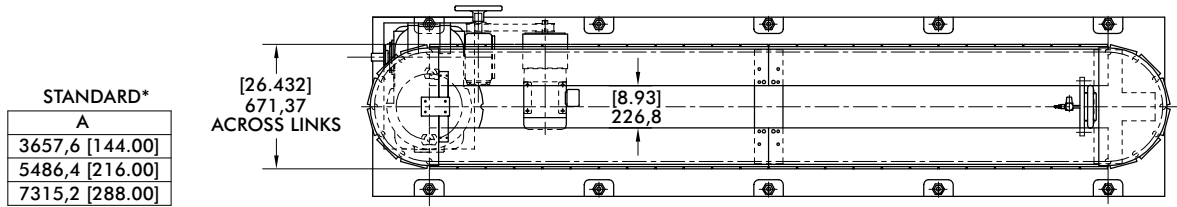
- 1301RD Intermittor
- 73500C Reducer
- 5 HP AC Motor
- MDB-1125 Air Clutch-Brake
- Cycle Cam & Limit Switch

Index Distance mm [in]	Indexer Stops
152,4 [6.00]	12
304,8 [12.00]	6
457,2 [18.00]	4
609,6 [24.00]	3

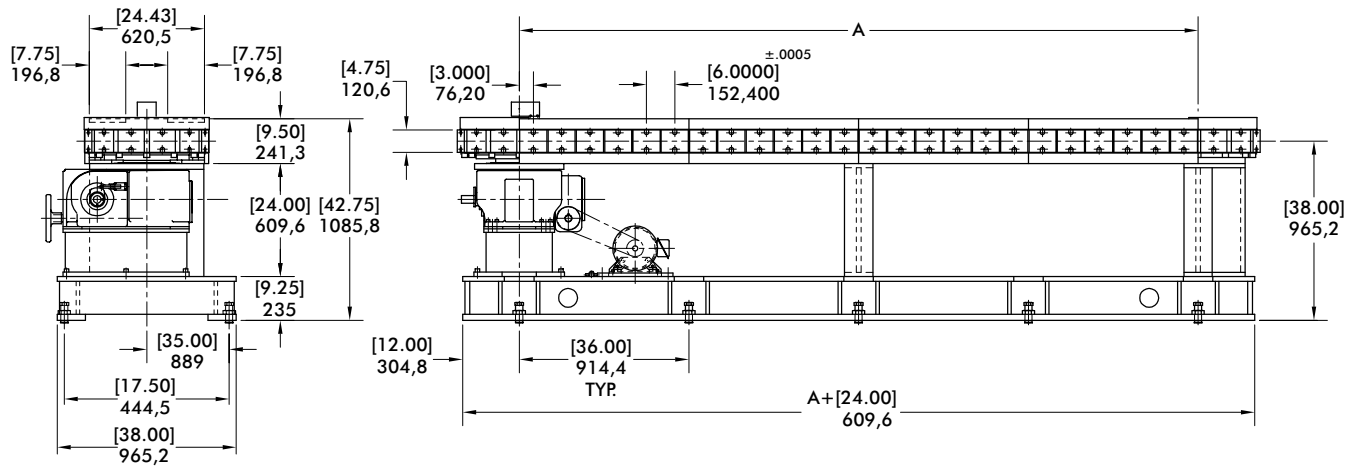
# 6.0 INCH HEAVY DUTY SERIES

## Heavy Duty Modular Conveyors | Configurations

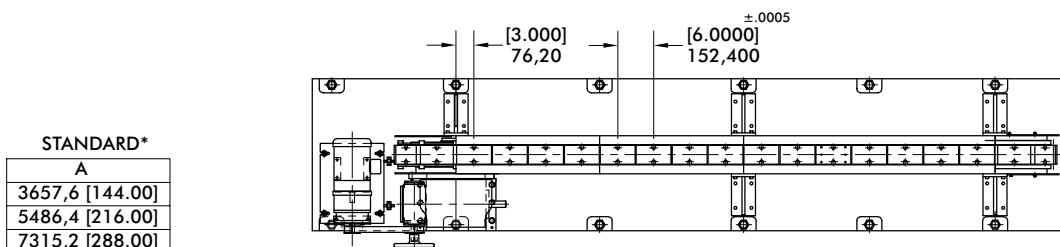
### Carousel



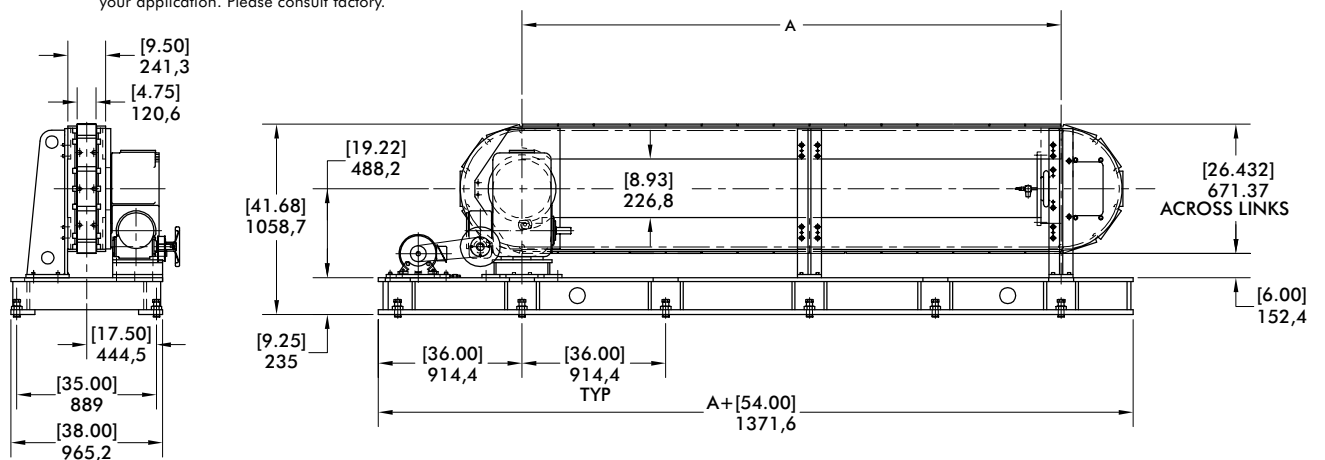
\*Conveyor lengths can be customized for your application. Please consult factory.



### Over/Under



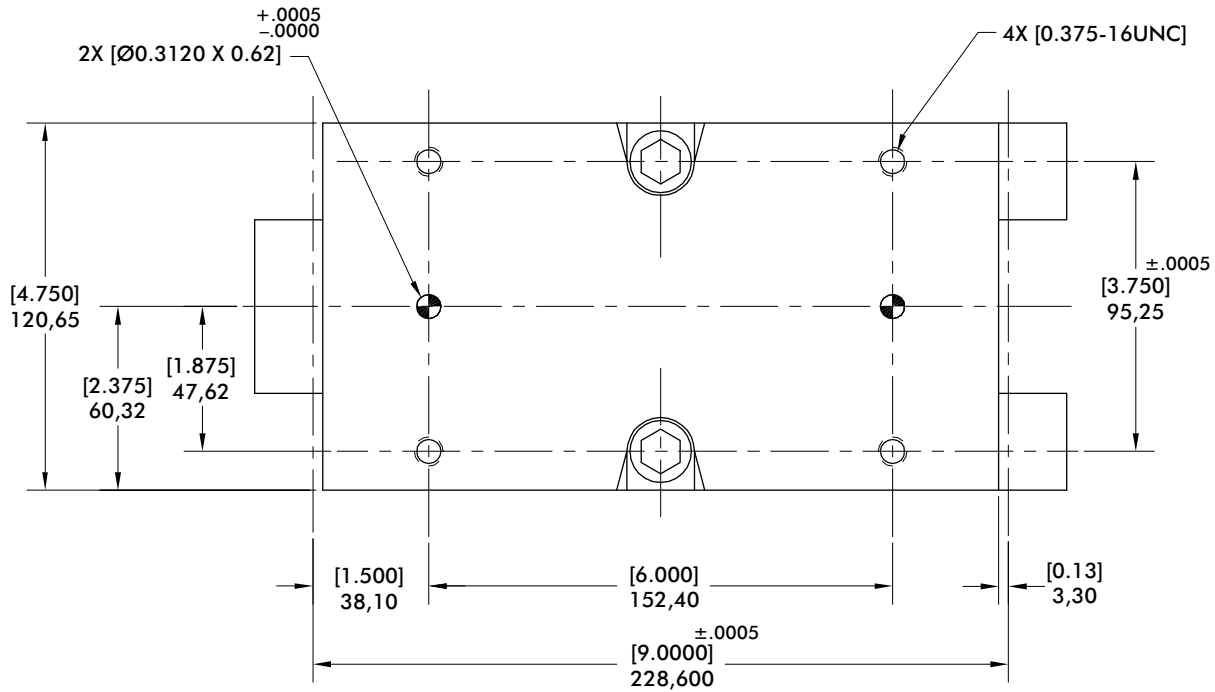
\*Conveyor lengths can be customized for your application. Please consult factory.



# 9.0 INCH HEAVY DUTY SERIES

## Heavy Duty Modular Conveyors | Dimensions

Link



### Modular Conveyor (drive package)

#### Standard Drive Package

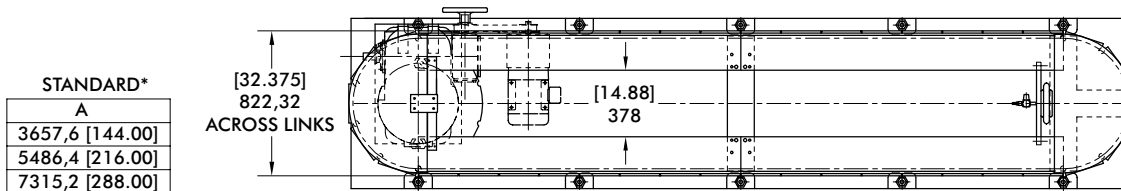
- 1301RD Intermittor
- 73500C Reducer
- 5 HP AC Motor
- MDB-1125 Air Clutch-Brake
- Cycle Cam & Limit Switch

Index Distance mm [in]	Indexer Stops
228,6 [9.00]	12
457,2 [18.00]	6
914,4 [27.00]	4
609,6 [36.00]	3

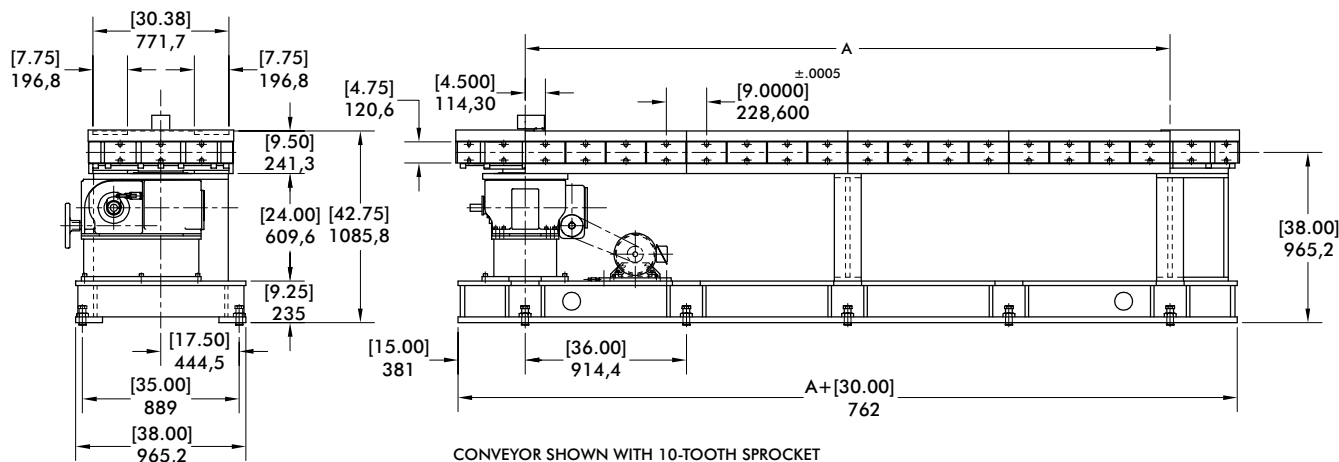
# 9.0 INCH HEAVY DUTY SERIES

## Heavy Duty Modular Conveyors | Configurations

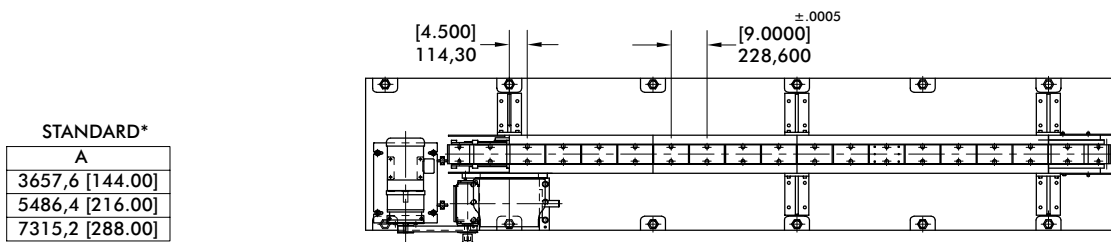
### Carousel



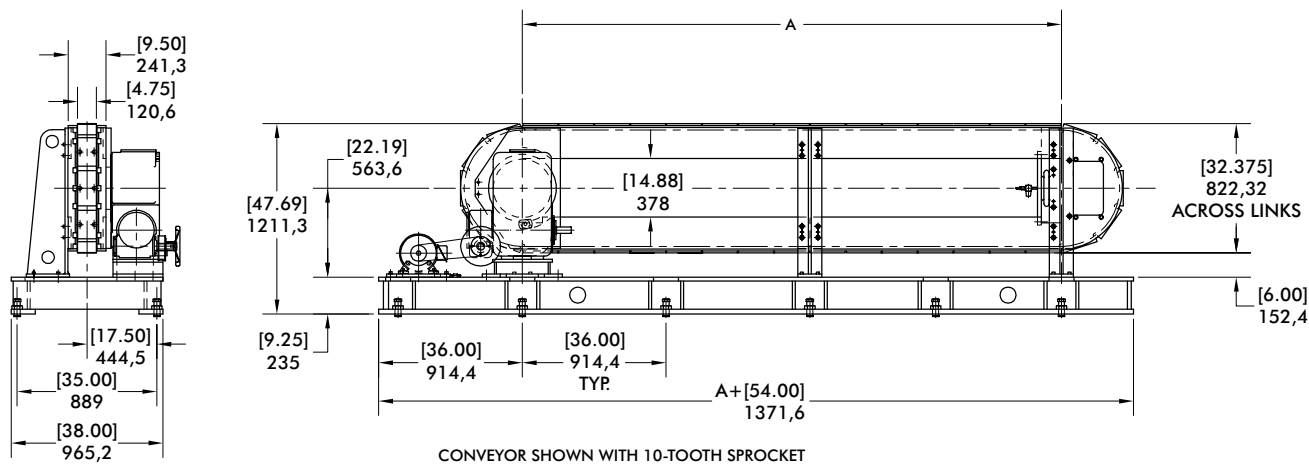
\*Conveyor lengths can be customized for your application. Please consult factory.



### Over/Under



\*Conveyor lengths can be customized for your application. Please consult factory.

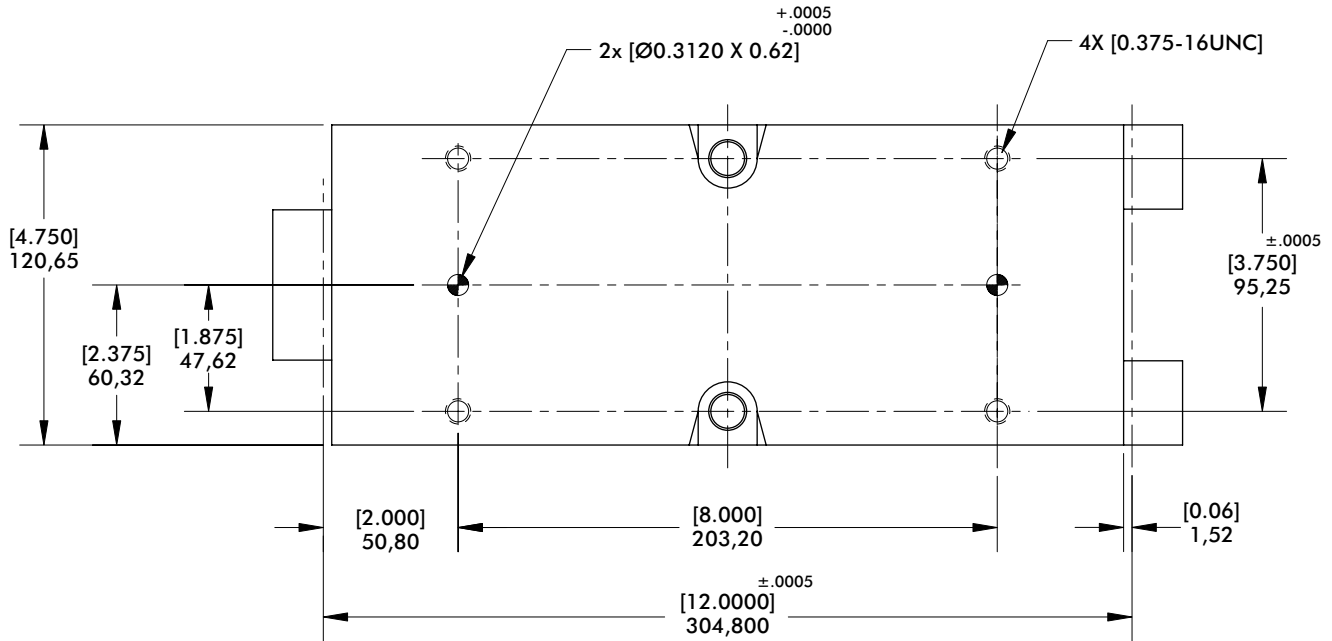




# 12.0 INCH HEAVY DUTY SERIES

## Heavy Duty Modular Conveyors | Dimensions

Link



### Modular Conveyor (drive package)

#### Standard Drive Package

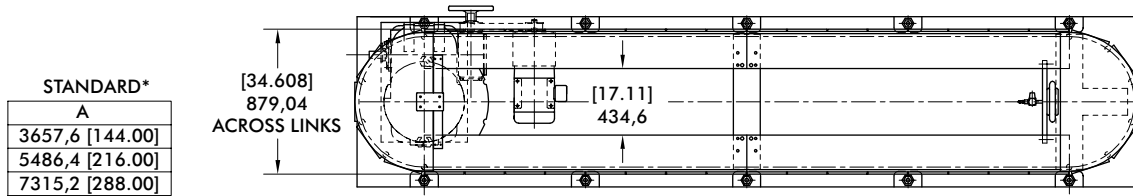
- 1301RD Intermittor
- 7500C Reducer
- 5 HP AC Motor
- MDB-1125 Air Clutch-Brake
- Cycle Cam & Limit Switch

Index Distance mm [in]	Indexer Stops	Sprocket
304,8 [12]	8, 10, 12	8T, 10T, 12T
609,6 [24]	4, 5, 6	8T, 10T, 12T
914,4 [36]	4	12T
1219,2 [48]	2, 3	8T, 12T

# 12.0 INCH HEAVY DUTY SERIES

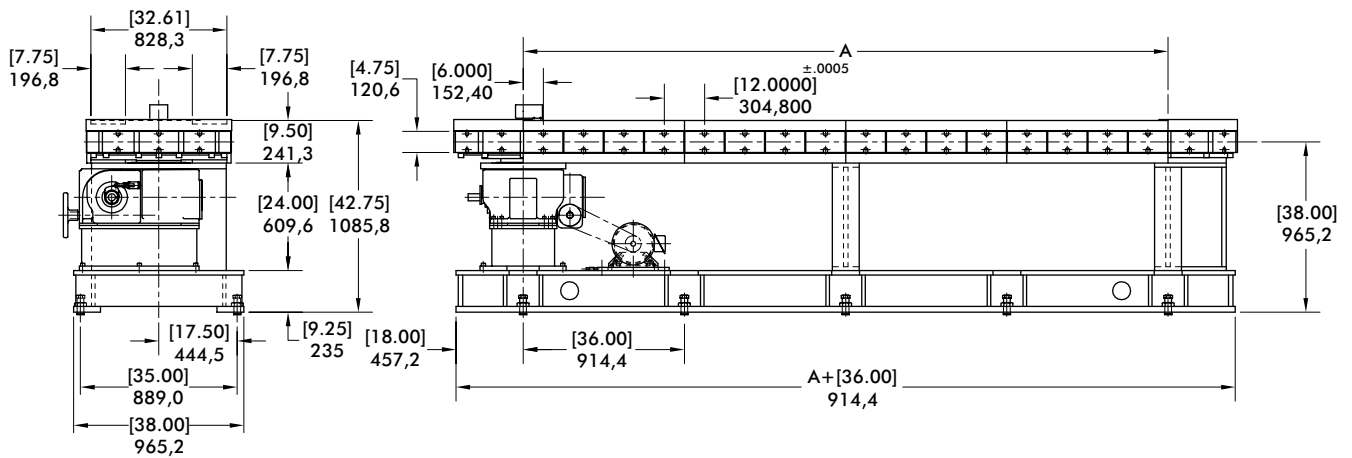
Heavy Duty Modular Conveyors | Configurations

Carousel



STANDARD*	
A	
3657,6	[144.00]
5486,4	[216.00]
7315,2	[288.00]

\*Conveyor lengths can be customized for your application. Please consult factory.



Over/Under

STANDARD*	
A	
3657,6	[144.00]
5486,4	[216.00]
7315,2	[288.00]

\*Conveyor lengths can be customized for your application. Please consult factory.

