

# VV85G-150

## Precision Guide | Ordering and Technical Information

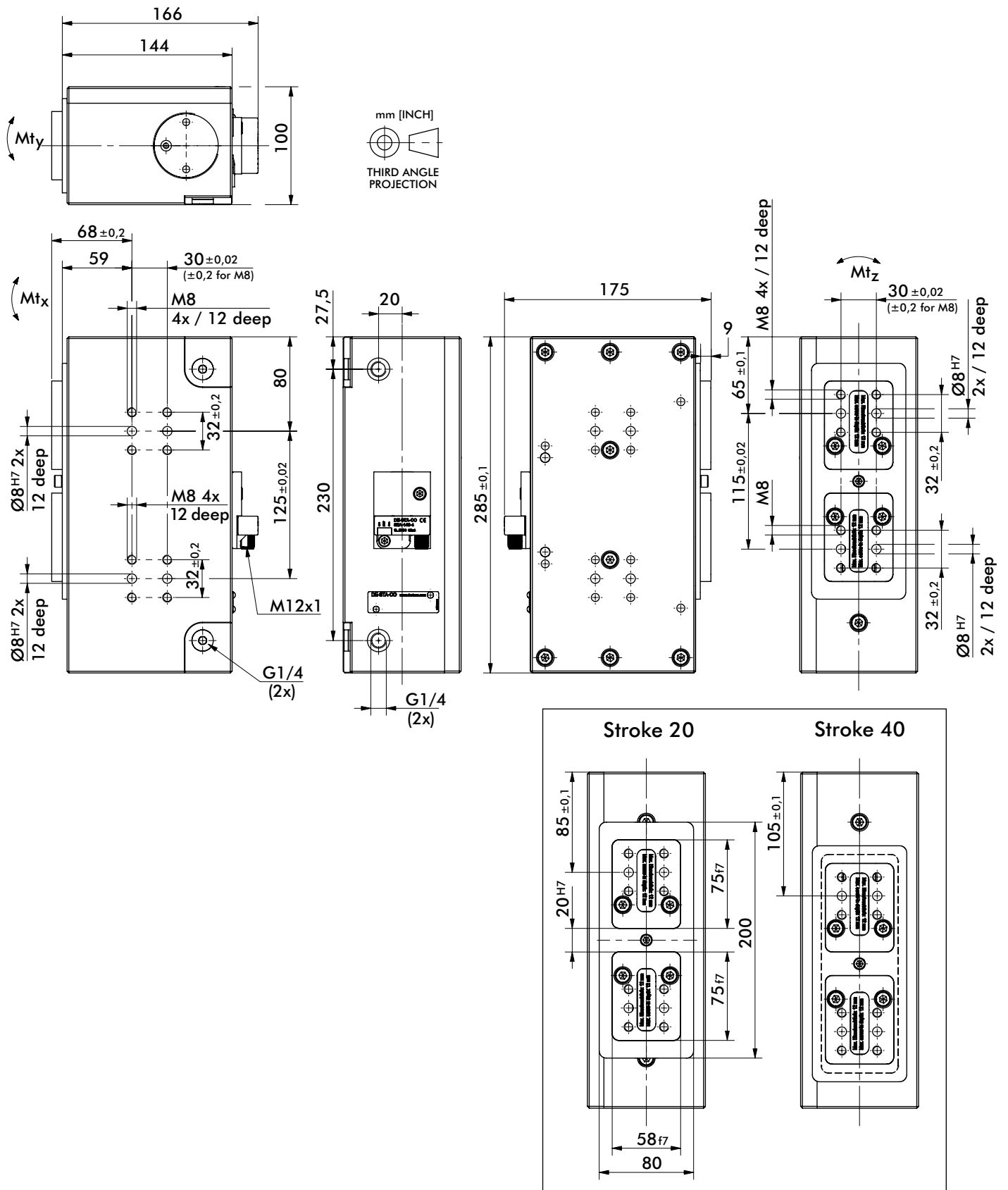
**VV85G-150**   **40**   **L8**

Stroke	Description
20	20 mm Stroke
40	40 mm Stroke

Sensor	Description
00	Without Sensing System
L8	PNP Sensor with In-line M12x1 Connector (8EA-146-4)
N8	NPN Sensor with In-line M12x1 Connector (8EA-154-4)
L9	PNP Sensor with 90° M12x1 Connector (8EA-147-4)
N9	NPN Sensor with 90° M12x1 Connector (8EA-155-4)
K8	PNP Sensor with M12x1 Cable Connector (8EA-158-4)
K9	NPN Sensor with M12x1 Cable Connector (8EA-167-4)



Model	Stroke mm [in]	Max. Load Nm [ft-lb] ±0,2 mm [0.008 in.]			Lifting Force N [lbf]	Holding Force N [lbf]	Weight Kg [lbs]	Air Consumption per double stroke at 5 bar [72 psi] dm³ [in³]
		Mtx	Mty	Mtz				
VV85G-15020**	20 [0.79]	[74]	[74]	[37]	500 [112]	[899] 4000	[29.1] 13,2	0,7 [42.7]
VV85G-15040**	40 [1.57]	100	100	50				1,1 [67.1]

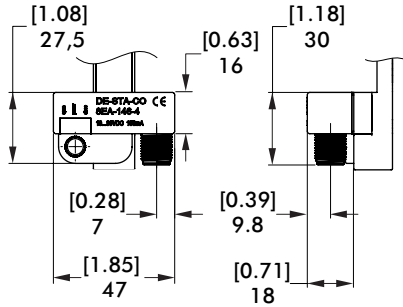


Operation with oil-free air is permissible

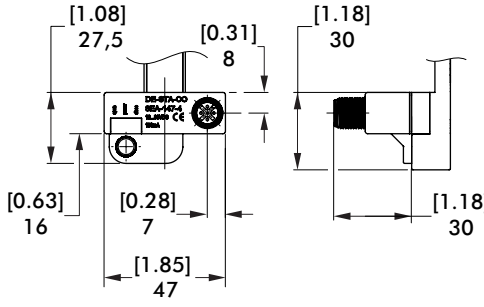
# VV85G-150

## Precision Guide | Dimensions and Technical Specifications

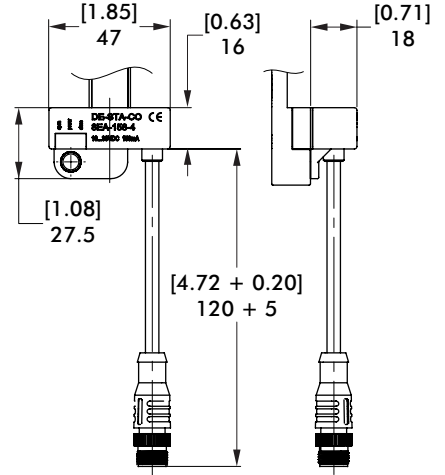
### L8, N8 Inductive Sensing System



### L9, N9 Inductive Sensing System with 90° Connector

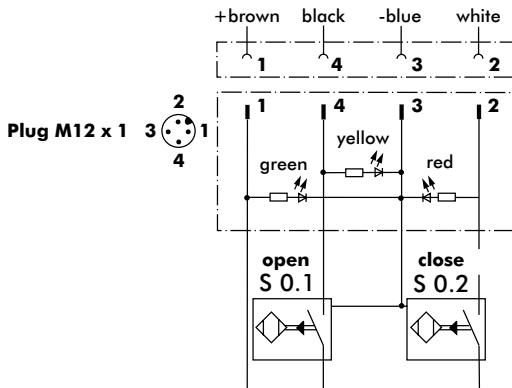


### K8, K9 Inductive Sensing System with Pigtail Connector



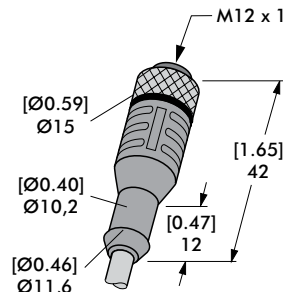
## Inductive Sensor Wiring Diagram

Sensing system immune to interference from AC / DC arc welding.

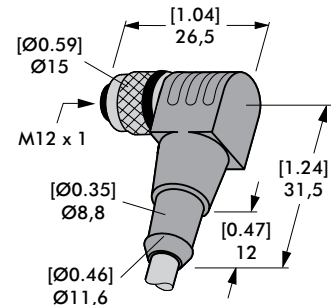


## Sensor Cable Accessories

Sensor Cables (1 connector & 5m cable)	Order no.
M12x1 connector, straight, 5-pin	<b>8EL-002-1</b>
M12x1 connector, 90° angular, 4-pin	<b>8EL-003-1</b>



**Straight Cable**  
8EL-002-1



**Angular Cable**  
8EL-003-1

