

82P30-3/82P35-3

Pneumatic Pin Clamp | Ordering and Technical Information



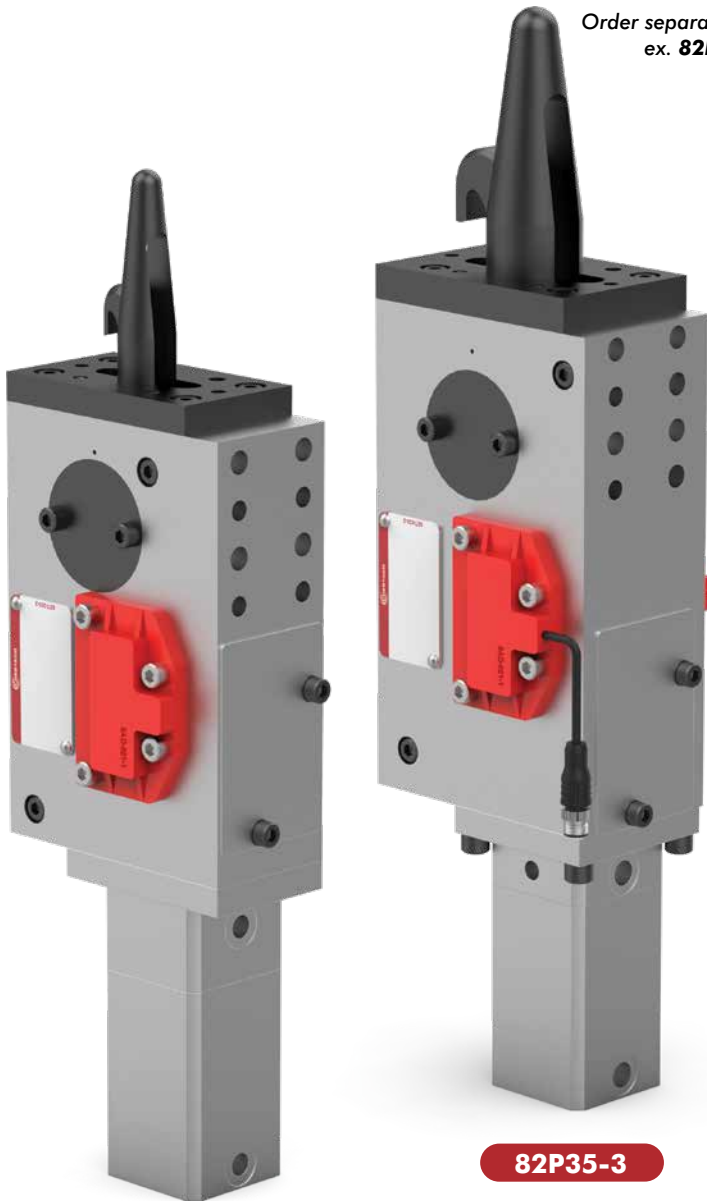
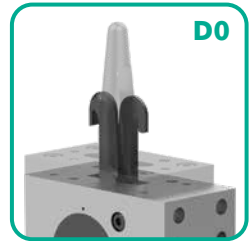
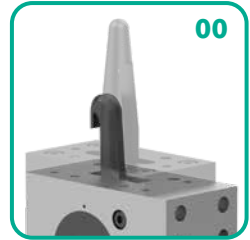
Size	Description
30-3	30 mm Cylinder (G1/8 Port)
35-3	35 mm Cylinder (G1/8 Port)

Centering Pin	Ø Range for 82P30-3
20	20,0 - 23,0 mm
25	23,1 - 28,0 mm
30	28,1 - 33,0 mm
Ø Range for 82P35-3	
40	33,1 - 45,0 mm

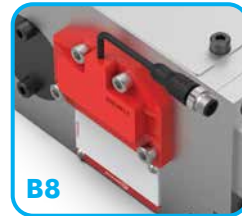
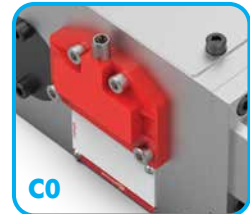
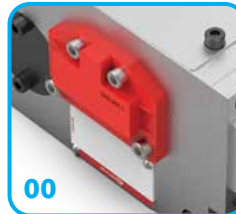
Order separately. 82P3X-3XX-XX,X
ex. 82P30-320-21,1



Clamping Hook	Description
00	Single Hook (Standard)
D0	Double Hook



Sensor	Description
00	Without Sensing System
C0	Inductive Sensing System with M8x1 Connector (8EA-012-2)
B8	Inductive Sensing System with M12x1 Connector (8EA-030-1)

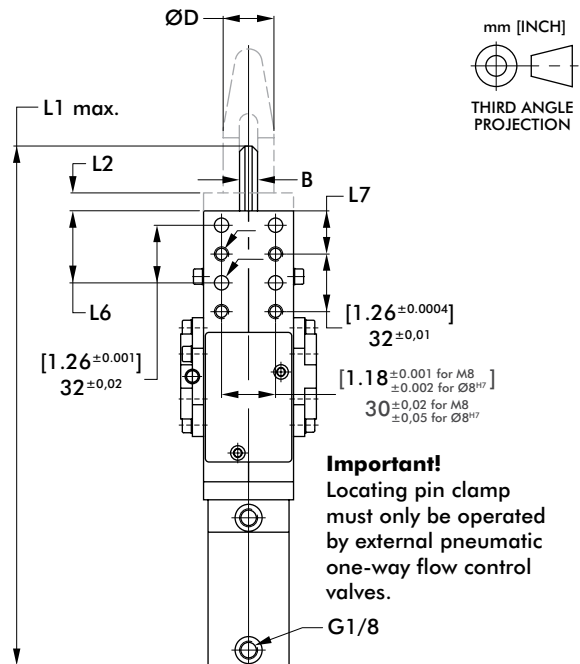
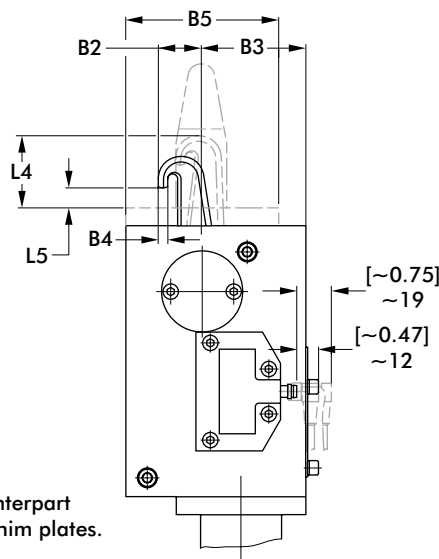
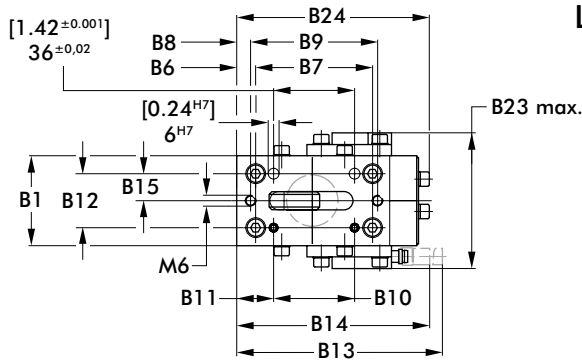


Specification	Unit	82P30-3	82P35-3
Max. Clamping Force @ 6 bar	[lbf] N	[450] 2000	[790] 3500
Max. Operating Pressure	bar [psi]	[87] 6	[87] 6
Piston Diameter	[in] mm	[1.18] 30	[1.38] 35
Air Consumption per Double Stroke @ 6 bar [87psi]	[in ³] liter	[48.82] 0,8	[48.82] 0,8
Weight	[lb] kg	[6.61] 3	[7.50] 3,4

82P30-3/82P35-3

Pneumatic Pin Clamp | Dimensions and Technical Specifications

Locating clamp with single-sided clamping hook
Centering Pin (has to be ordered separately)



mm [INCH]
THIRD ANGLE PROJECTION

Dimensioning of the counterpart should allow the use of shim plates.

Medium: air, max. 6 bar, operation with oil-free air is permissible.

Important!
Locating pin clamp must only be operated by external pneumatic one-way flow control valves.

Technical Data

Model	Piston Ø	Centering Pin ØD [-0.002] -0,5	B [-0.004] -0,1	B1	B2	B3	B4	B5	B6 [±0.004] ±0,1	B7 [±0.008] ±0,2	B8	B9 [±0.008] ±0,2	B10 [±0.004] ±0,1
82P30-3200000		[0.79-0.91] 20,0-23,0			[0.73] 18,5		[0.20] 5						
82P30-3250000	[1.18] 30	[0.91-1.10] 23,1-28,0	[0.39] 10	[1.97] 50	[0.81] 20,5	[2.28] 58	[0.21] 5,25	[3.35] 85	[0.41] 10,5	[2.56] 65	[0.41] 10,5	[2.56] 65	[1.38] 35
82P30-3300000		[1.10-1.30] 28,1-33,0			[0.89] 22,5								
82P35-3400000	[1.38] 35	[1.30-1.77] 33,1-45,0	[0.47] 12	[2.36] 60	[1.34] 34	[2.09] 53	[0.28] 7	[3.54] 90	[0.75] 19	[2.40] 61	[0.28] 7	[2.99] 76	[1.46] 37

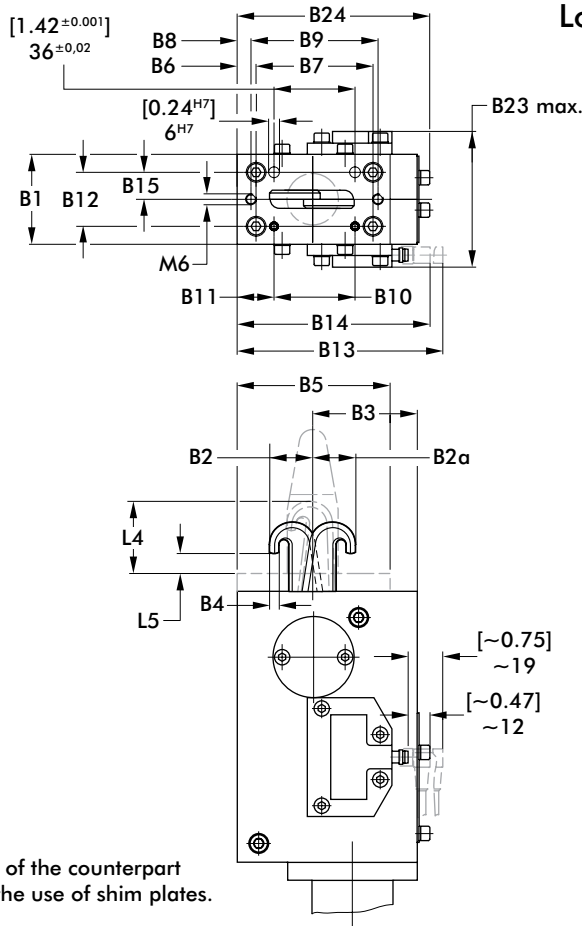
Model	B11 [±0.004] ±0,1	B12* [±0.002] ±0,5	B13 max.	B14 max.	B15* [±0.001] ±0,025	B23 max.	B24	L1 max.	L2 [±0.004] ±0,1	L4 ~	L5 [±0.002] ±0,5	L6 [±0.002] ±0,5	L7 [±0.004] ±0,1
82P30-3200000								[11.97] 304		[1.57] 40			
82P30-3250000	[1.00] 25,5	[1.18] 30	[4.49] 114	[4.21] 107	[0.59] 15	[2.97] 75,4	[4.21] 107	[12.05] 306	[0.39] 10	[1.73] 44	[0.45] 11,5	[1.57] 40	[0.94] 24
82P30-3300000										[1.77] 45			
82P35-3400000	[1.22] 31	[1.57] 40			[0.79] 20	[3.36] 85,4		[12.99] 330	[0.47] 12	[2.20] 56	[0.55] 14	[1.50] 38	[0.87] 22

*Tolerances for dowel holes only

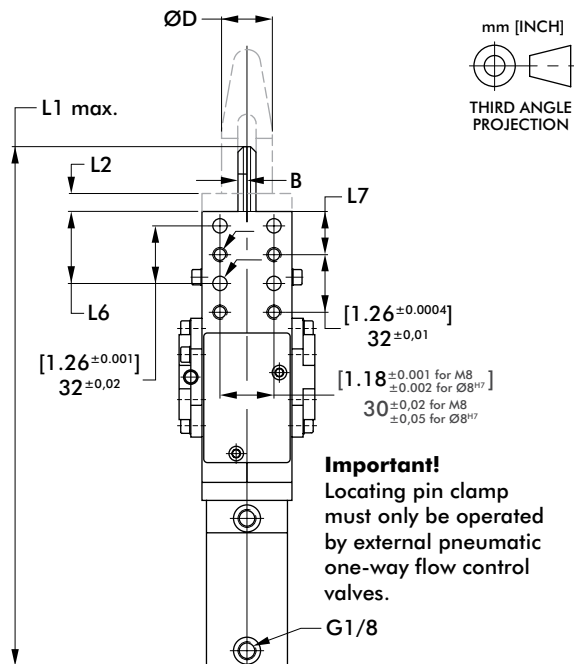
82P30-3/82P35-3

Pneumatic Pin Clamp | Dimensions and Technical Specifications

Locating clamp with double-sided clamping hook
Centering Pin (has to be ordered separately)



Spare Parts	Order no.	
	82P30-3...	82P35-3...
Cylinder	8PW-019-1	8PW-006-1
Seal kit	8PW-019-1-00	8PW-001-1-00



Dimensioning of the counterpart should allow the use of shim plates.

Medium: air, max. 6 bar, operation with oil-free air is permissible.

Technical Data

Model	Piston Ø	Centering Pin ØD [-0.002 -0,05]	B [-0.004 -0,1]	B1	B2	B2α	B3	B4	B5	B6 [±0.004 ±0,1]	B7 [±0.008 ±0,2]	B8	B9 [±0.000 ±0,2]
82P30-32000D0		[0.79-0.91] 20,0-23,0			[0.73] 18,5	[0.77] 19,5		[0.20] 5					
82P30-32500D0	[1.18] 30	[0.91-1.10] 23,1-28,0	[0.20] 5	[1.97] 50	[0.81] 20,5	[0.85] 21,5	[2.28] 58	[0.21] 5,25	[3.35] 85	[0.41] 10,5	[2.56] 65	[0.41] 10,5	[2.56] 65
82P30-33000D0		[1.10-1.30] 28,1-33,0			[0.89] 22,5	[0.93] 23,5							
82P35-34000D0	[1.38] 35	[1.30-1.77] 33,1-45,0	[0.14] 3,5	[2.36] 60	[1.34] 34	[1.34] 34	[2.09] 53	[0.28] 7	[3.54] 90	[0.75] 19	[2.40] 61	[0.28] 7	[2.99] 76

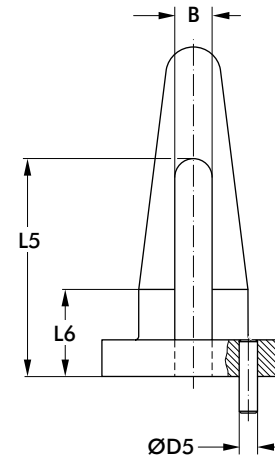
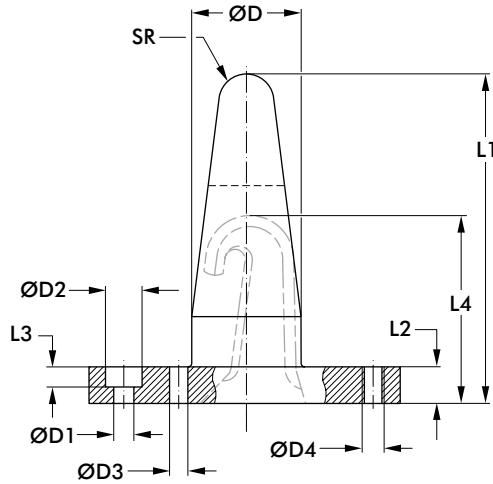
Model	B10 [±0.004 ±0,1]	B11 [±0.004 ±0,1]	B12* [±0.002 ±0,05]	B13 max.	B14 max.	B15* [±0.001 ±0,025]	B23 max.	B24	L1 max.	L2 [±0.004 ±0,1]	L4 ~	L5	L6 [±0.002 ±0,5]	L7 [±0.004 ±0,1]
82P30-32000D0									[11.97] 304		[1.57] 40			
82P30-32500D0	[1.38] 35	[1.00] 25,5	[1.18] 30	[4.49] 114	[4.21] 107	[0.59] 15	[2.97] 75,4	[4.21] 107	[12.05] 306	[0.39] 10	[1.73] 44	[0.45] 11,5	[1.57] 40	[0.94] 24
82P30-33000D0											[1.77] 45			
82P35-34000D0	[1.46] 37	[1.22] 31	[1.57] 40			[0.79] 20	[3.36] 85,4		[12.99] 330	[0.47] 12	[2.20] 56	[0.55] 14	[1.50] 38	[0.87] 22

*Tolerances for dowel holes only

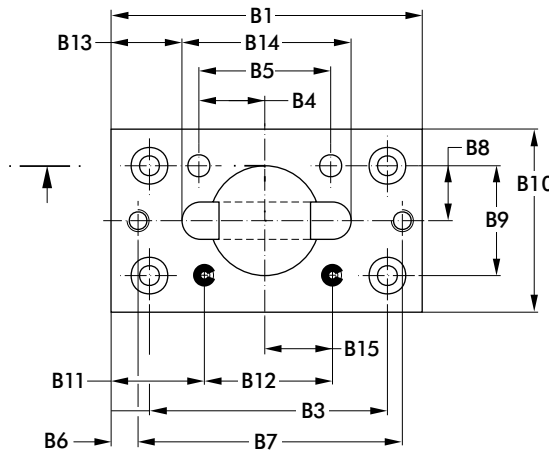
82P30-3/82P35-3 CENTERING PINS

Pneumatic Pin Clamp | Dimensions and Technical Specifications

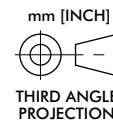
Centering Pin (has to be ordered separately)



Centering pin (accessory part)



Locating pin clamp with single-sided clamping hook and centering pin



Base locating clamp model	Order no.	ØD [-0.002 -0,05]	ØD1	ØD2	ØD3 H7	ØD4	ØD5 H11	SR	L1	L2 [+0.004 +0,1]	L3	L4	L5	L6	B	B1
82P30-320....	82P30-3-__1)	[0.79-0.91] 20,0-23,0						[0.20] 5	[3.15] 80			[2.05] 52				
82P30-325....	82P30-3-__1)	[0.91-1.10] 23,1-28,0	[0.22]	[0.39]	[0.24]	M6	[0.20] 5	[0.30] 7.5	[3.54] 90	[0.39] 10	[0.24] 6	[2.13] 54	[2.34] 59.5	[0.98] 25	[0.40] 10.2	[3.35] 85
82P30-330....	82P30-3-__1)	[1.10-1.30] 28,1-33,0										[2.17] 55				
82P35-340....	82P35-3-__1)	[1.30-1.77] 33,1-45,0						[0.31] 8	[4.02] 102	[0.47] 12		[2.68] 68	[2.89] 73.5	[1.18] 30	[0.48] 12.2	[3.54] 90

Base locating clamp model	Order no.	B2 [±0.004 ±0,1]	B3 [±0.001 ±0,2]	B4 [±0.0001 ±0,02]	B5 [±0.0001 ±0,02]	B6	B7 [±0.001 ±0,2]	B8* [±0.001 ±0,025]	B9* [±0.002 ±0,05]	B10	B11 [±0.004 ±0,1]	B12 [±0.004 ±0,1]	B13	B14	B15 [±0.002 ±0,05]	
82P30-320....	82P30-3-__1)															
82P30-325....	82P30-3-__1)	[0.41] 10.5	[2.56] 65	[0.71] 18	[1.42] 36		[0.41] 10.5	[2.56] 65	[0.59] 15	[1.18] 30	[1.97] 50	[1.00] 25.5	[1.38] 35	[0.76] 19.4	[1.82] 46.2	[0.73] 18.5
82P30-330....	82P30-3-__1)															
82P35-340....	82P35-3-__1)	[0.75] 19	[2.40] 61				[0.28] 7	[2.99] 76	[0.79] 20	[1.57] 40	[2.36] 60	[1.22] 31	[1.46] 37	[0.63] 16	[2.44] 62	[0.83] 21

* Tolerance for dowel hole

1) __1) = centering pin diameter "D"

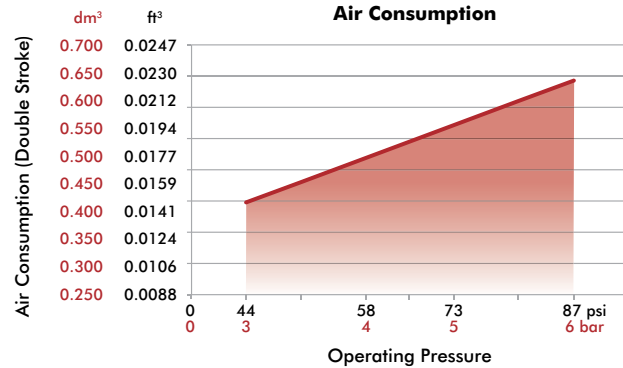
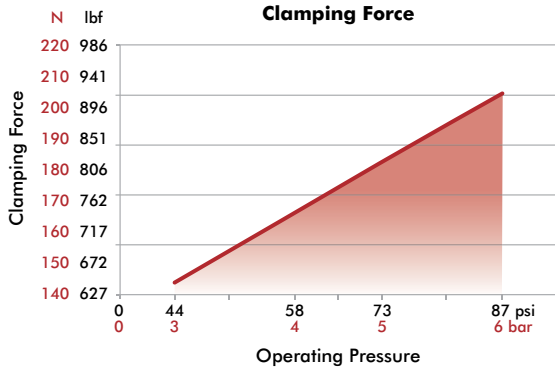
Ordering example: To order the centering pin for locating pin clamp 82P30-325C000 with pin diameter "D" = 26.5 mm: "82P30-3-26.5"



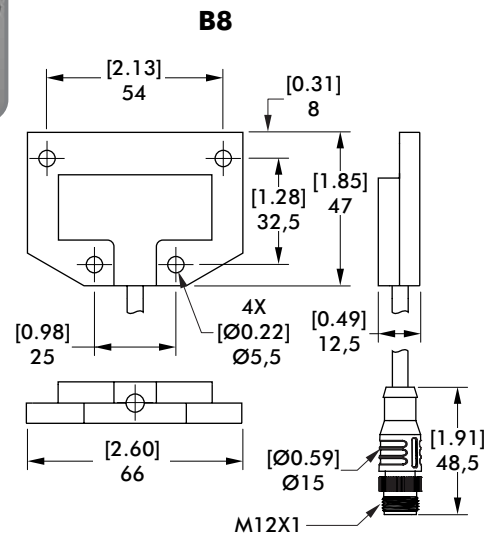
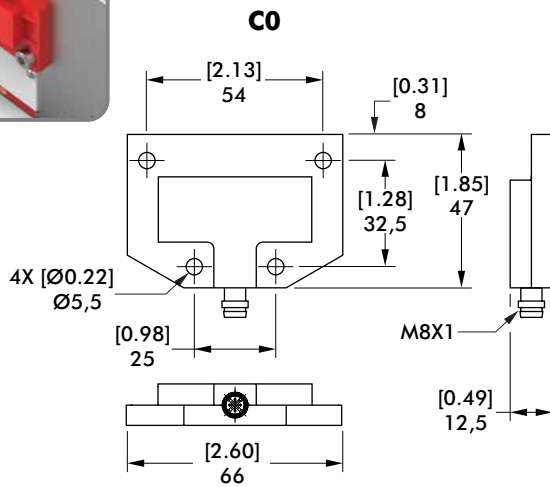
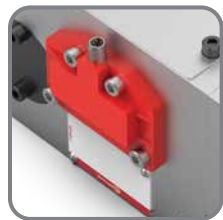
82P30-3/82P35-3 SENSORS

Pneumatic Pin Clamp | Dimensions and Technical Specifications

Clamping Force and Air Consumption

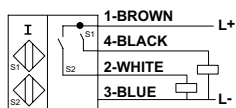
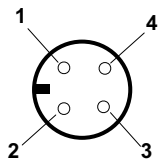


C0 and B8 Inductive Sensing Systems



Inductive Sensor Wiring Diagram

Sensing system immune to interference from A.C./D.C. arc welding.



1-Common +
2-Open
3-Common -
4-Closed

Sensor Cable Accessories

Description	Order no.
B8 Sensor Cables (1 connector & 5 m cable)	
M12x1 connector, straight, 5-pin	8EL-002-1
M12x1 connector, 90° angular, 4-pin	8EL-003-1
C0 Sensor Cables (1 connector & 5 m cable)	
M8x1 connector, straight, 5-pin	8EL-009-1
M8x1 connector, 90° angular, 4-pin	8EL-007-1

