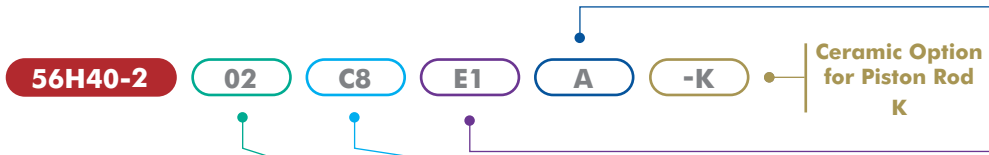
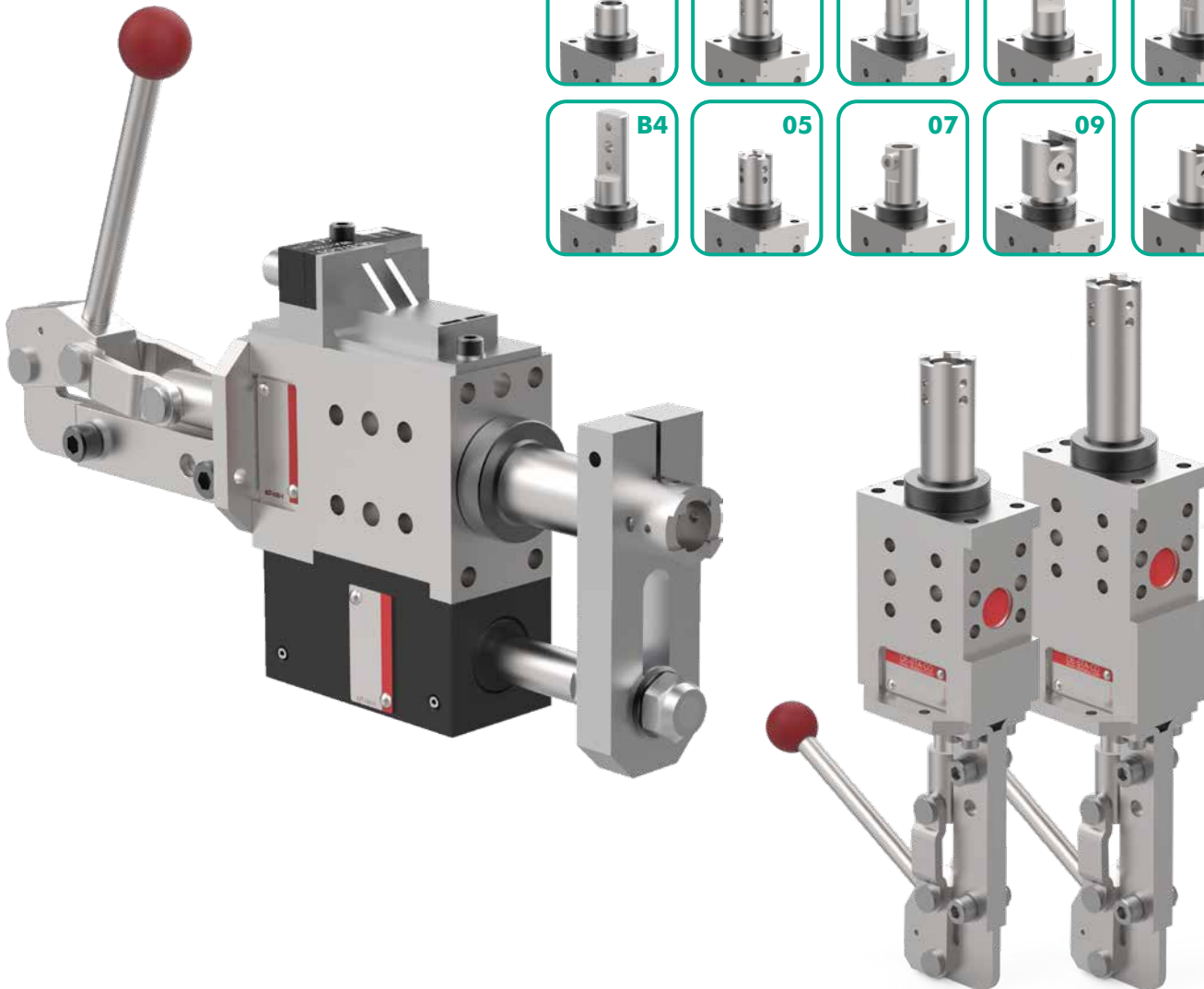
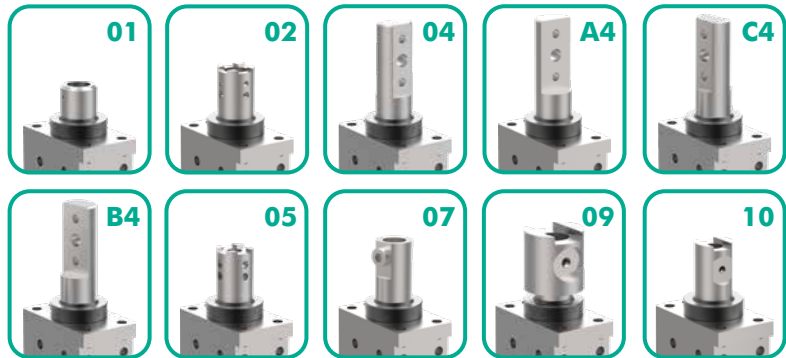


56H40-2

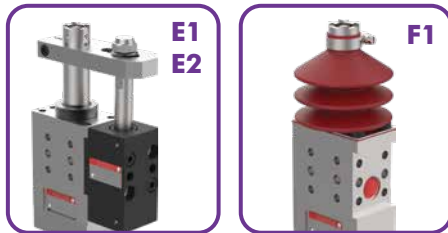
Manual Pin Package | Single Shaft | Ordering Information



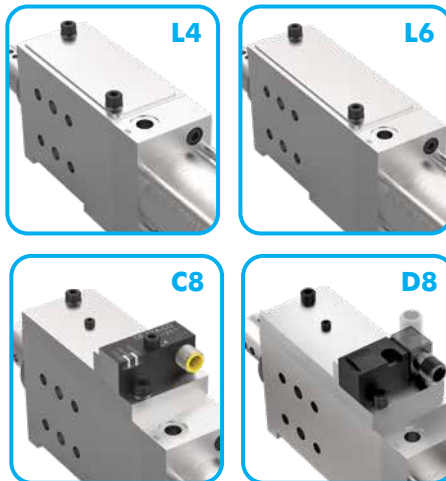
Piston Rod	Description
01	Ø16 mm Inside Hole (Standard)
02	Ø16 mm M6 Threaded Inside Hole, Cross Groove
04	NAAMS Standard
A4	NAAMS Standard Rotated 180°
B4	NAAMS Standard Rotated 90°
C4	NAAMS Standard Rotated 270°
05	Ø10 mm Inside Hole, Cross Groove
07	Ø16 mm Inside Hole, NAAMS
09	Ø20 mm Straight Groove
10	Ø12 mm Straight Groove



Accessories	Description
00	No Accessories
E1	External Guide for A, B (82ZB-009-2, Ceramic 82ZB-181-1)
E2	External Guide for C (82ZB-090-1, Ceramic 82ZB-105-1)
F1	Bellows for piston rods 02, 05, 07, 10 in strokes A, B, 2, 4 (82ZB-013-3)



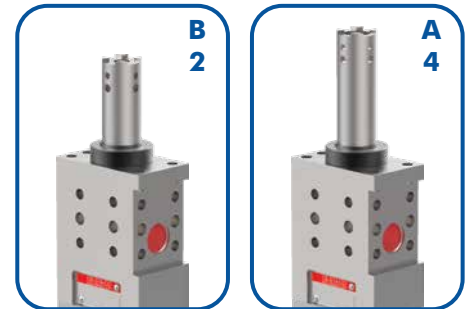
Sensor	Description
L4	Cover Plate for A, B, 2, 4 (86P0-200L4)
L6	Cover Plate for C, 6 (86P0-200L6)
C8	Inductive Sensing System with M12x1 Connector for A, B, 2, 4 (86P0-200C8), for C, 6 (86P0-200C8006)
D8	Inductive Sensing System with 90° M12x1 Swivel Connector for A, B, 2, 4 (86P0-200D8), for C, 6 (86P0-200D8006)



Sensor Cables Order separately

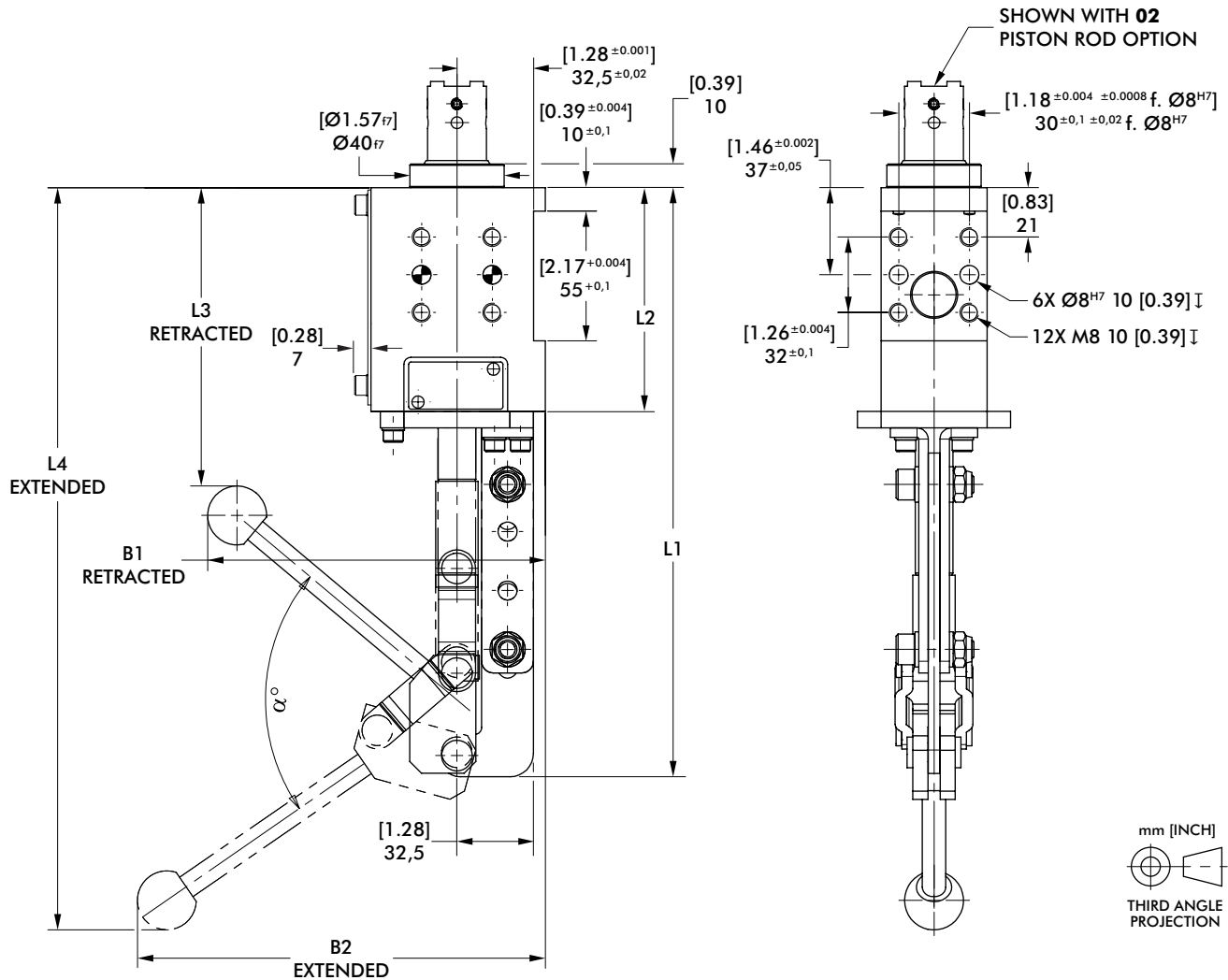
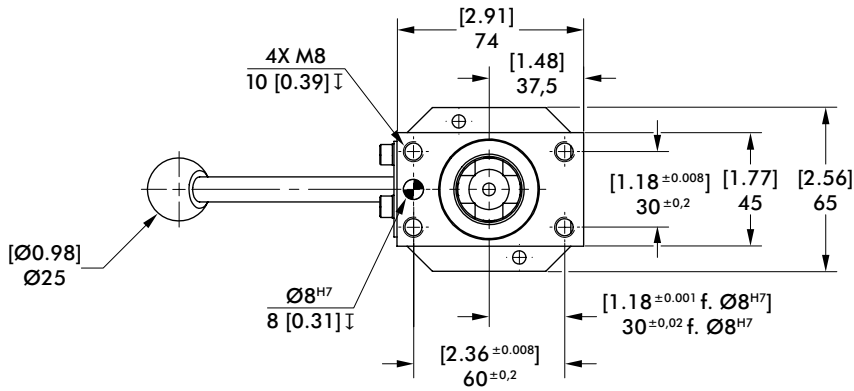
Order No.	Description
8EL-002-1	M12x1, Straight, 5-pin Connector with 5 m [16 ft.] Cable
8EL-003-1	M12x1, Angular, 4-pin Connector with 5 m [16 ft.] Cable

Stroke	Description
	Anti-Twist Device/Low Accuracy
B	20 mm Stroke (8MF-071-1)
A	40 mm Stroke (8CE-231-1)
C	60 mm Stroke (8CE-231-1)
	Anti-Twist Device
2	20 mm Stroke (86P0-20000002)
4	40 mm Stroke (86P0-20000004)
6	60 mm Stroke (86P0-20000006)



56H40-2

Manual Pin Package | Single Shaft | Dimensions and Technical Specifications

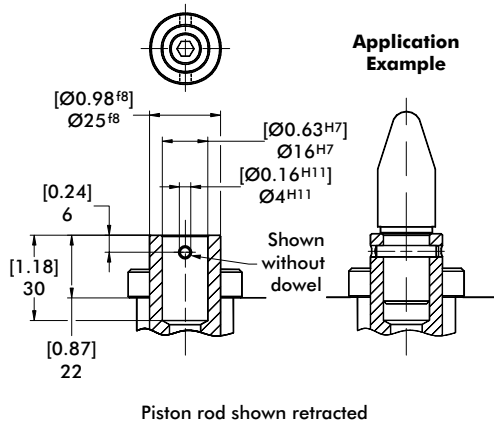


Base Model	Stroke Option	Stroke +2 mm [in]	B1 (retracted) mm [in]	B2 (extended) mm [in]	L1 (max.) mm [in]	L2 mm [in]	L3 (retracted) mm [in]	L4 (extended) mm [in]	Opening Angle α	Weight Kg [lbs]
56H40-2	B, 2	20 [0.79]		188 [7.40]	270 [10.63]		277 [10.91]	146 [5.75]	50°	2,0 [4.41]
	A, 4	40 [1.57]	144 [5.67]	173 [6.81]	250 [9.84]	95 [3.74]	315 [12.40]	126 [4.96]	75°	
	C, 6	60 [2.36]		116 [4.57]	270 [10.63]	115 [4.53]	394 [15.51]	146 [5.75]	109°	

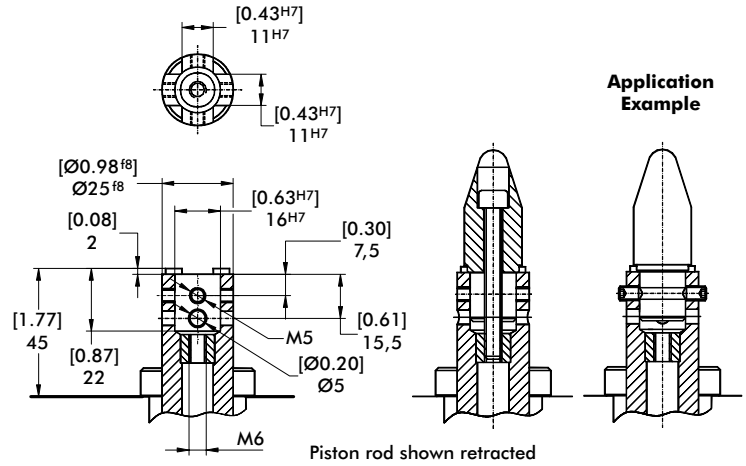
56H40-2 PISTON RODS

Manual Pin Package | Single Shaft | Dimensions and Technical Specifications

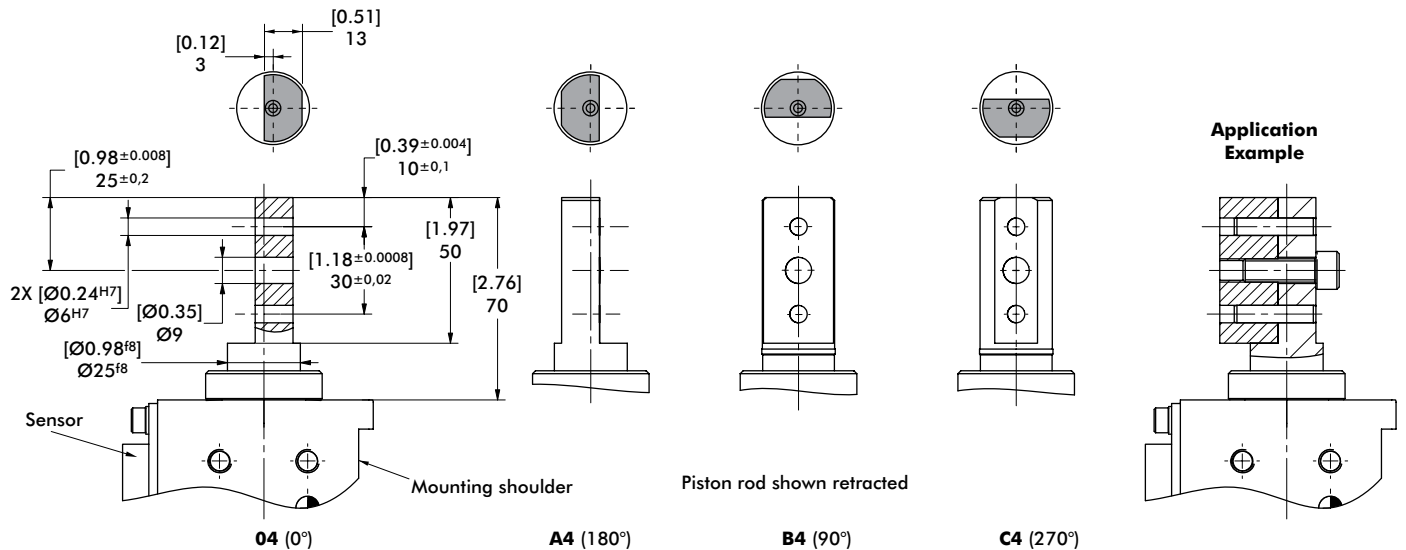
01 Ø16 mm Inside Hole



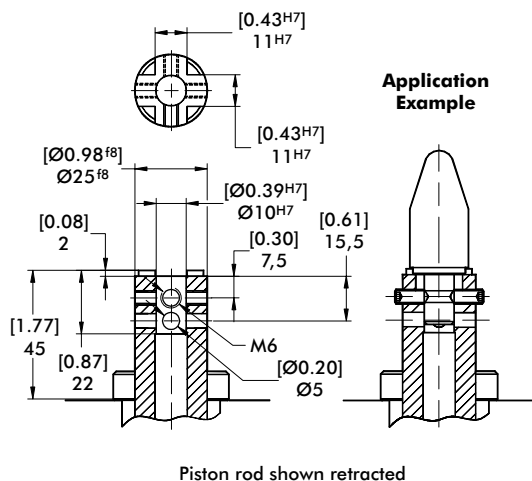
02 Ø16 mm M6 Threaded Inside Hole, Cross Groove



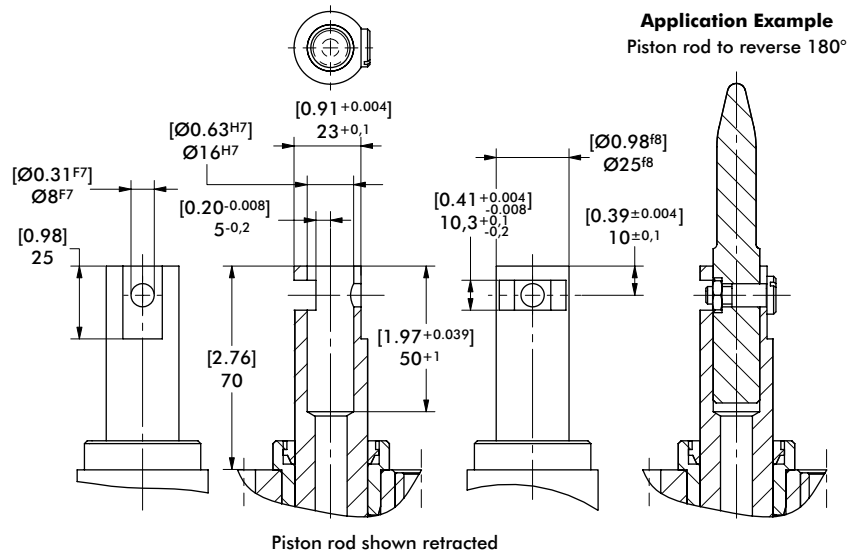
04, A4, B4, C4 NAAMS Standard



05 Ø10 mm Inside Hole, Cross Groove



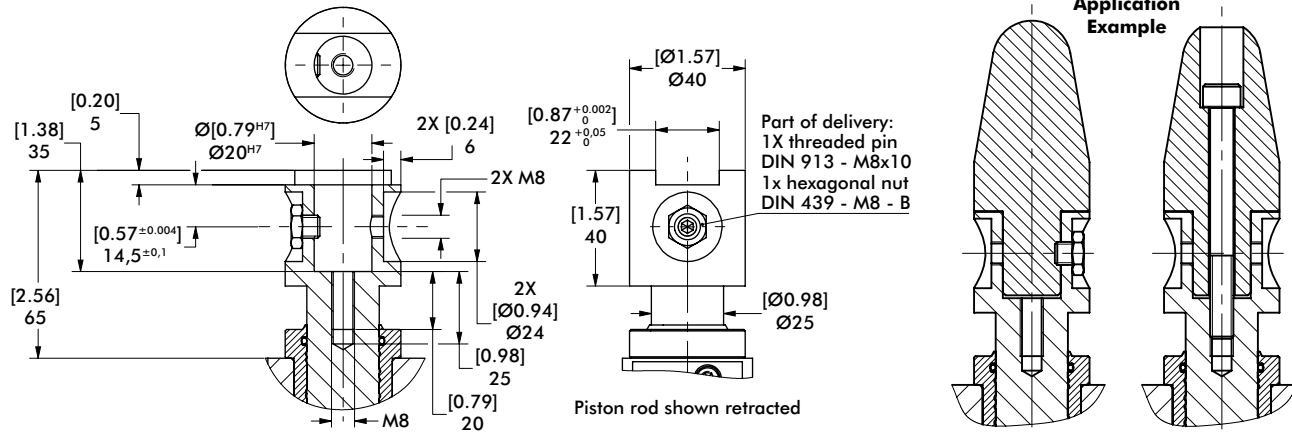
07 Ø16 mm Inside Hole, NAAMS



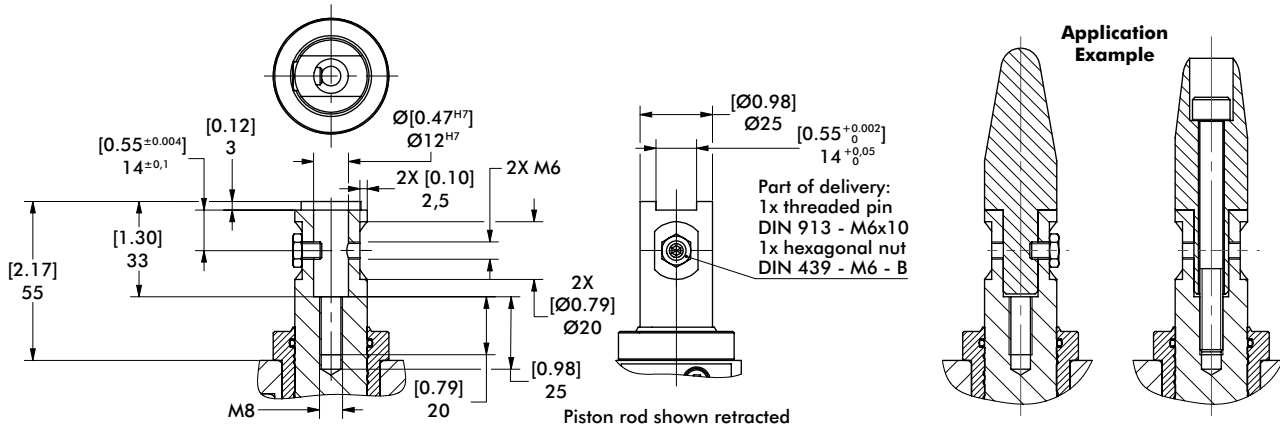
56H40-2 PISTON RODS

Manual Pin Package | Single Shaft | Dimensions and Technical Specifications

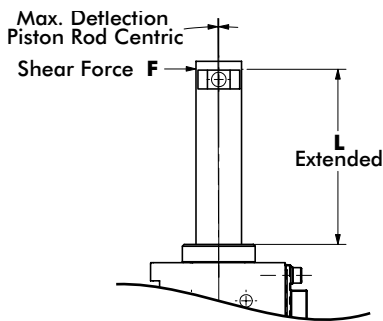
09 Ø20 mm Straight Groove



10 Ø12 mm Straight Groove



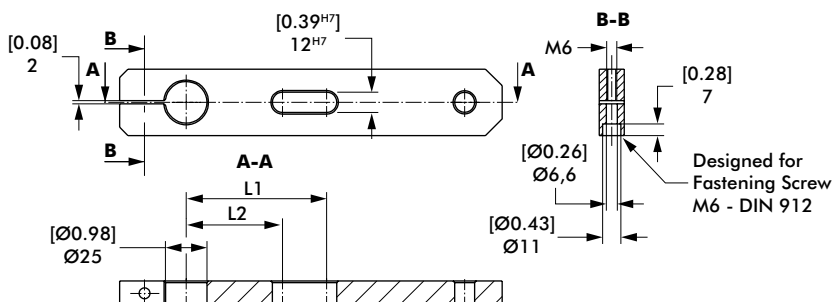
Max Deflection for Centering Pin



Model no.	Shear force N [lbs]	L mm [in]	Stroke mm [in]	Deflection mm [in]
56H40-2...B / 2	200 [45]	52 [2.05]	20 [0.79]	0,06 [0.002]
56H40-2...A / 4		70 [2.76]	40 [1.58]	0,09 [0.004]
56H40-2...C / 6		90 [3.54]	60 [2.36]	0,12 [0.005]

Caution: Generally we recommend using an external guide when the transverse force is more than 200 N [45 lbs]. Also independently of the stroke, less transverse forces, when the overall height L2 > 120 mm [4.7 in] (L2 = extended piston rod plus centering pin).

Example application of an off-center centering pin (Example component shown below is to be made by the customer)



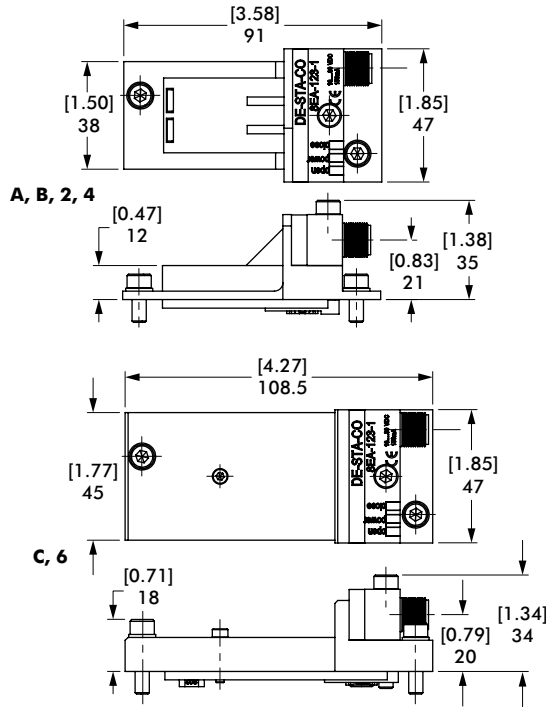
Model no.	L1 mm [in]	L2 mm [in]
56H40-2...E1	62 [2.44]	58 [2.28]
56H40-2...E2		

*J1 is not available with 60 or 80 mm strokes.

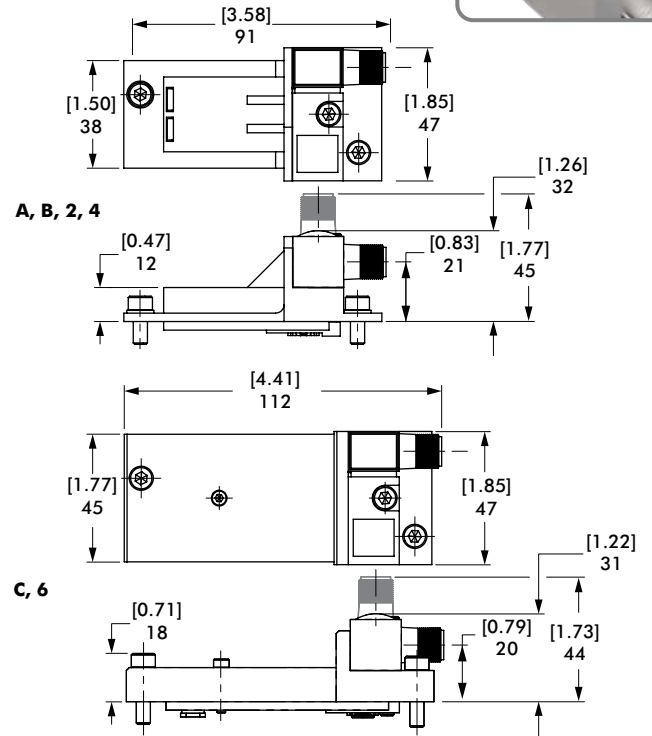
56H40-2 SENSORS

Manual Pin Package | Single Shaft | Dimensions and Technical Specifications

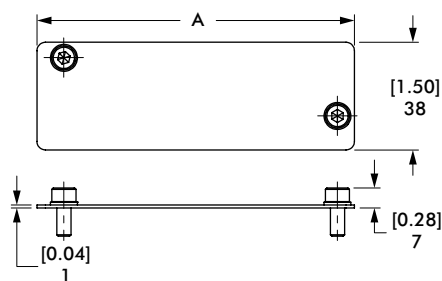
C8 Inductive Sensing System



D8 Inductive Sensing System with 90° Swivel Connector

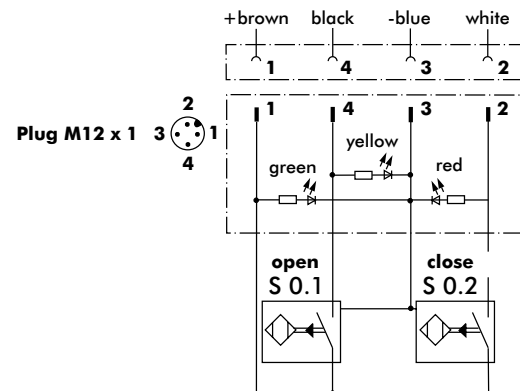


L4, L6 Sensor Cover Plate



Inductive Sensor Wiring Diagram for C8, D8

Sensing system immune to interference from AC / DC arc welding.

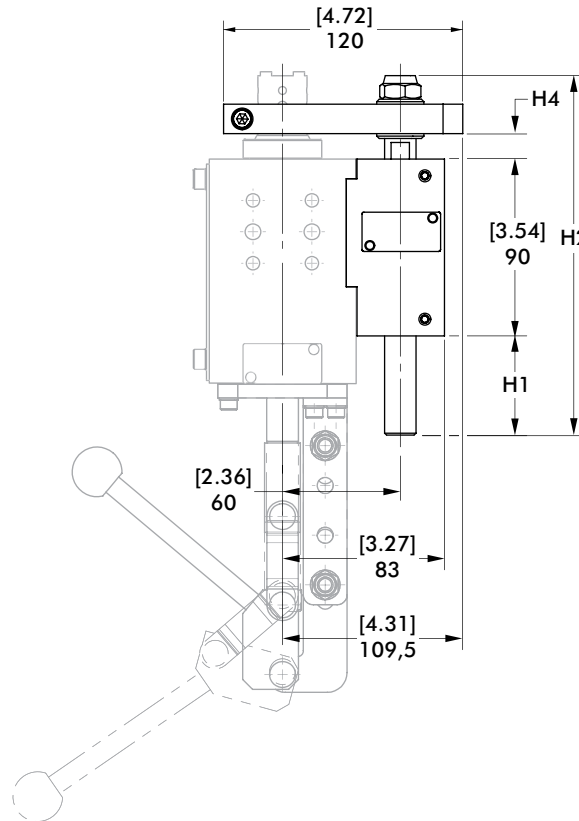
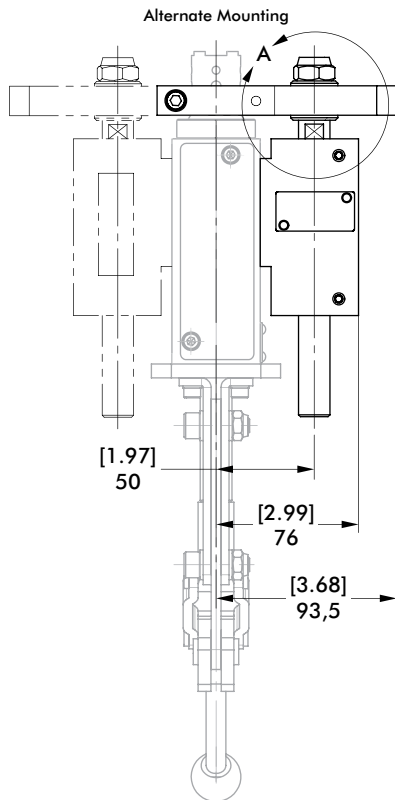
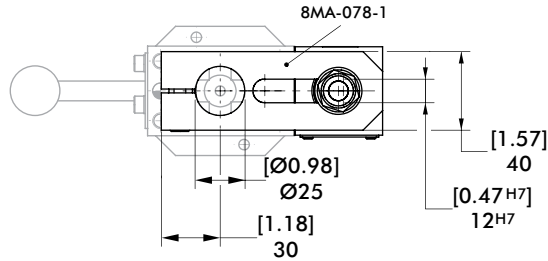
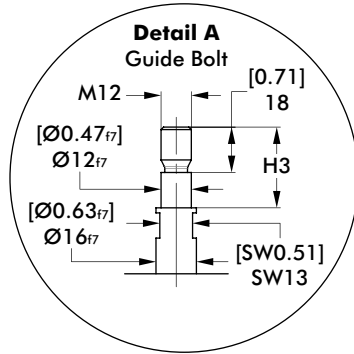


Cover Plate Option	Stroke Option	A mm [in]
L4	A, B, 2, 4	92 [3.62]
L6	C, 6	112 [4.41]

56H40-2 OPTIONS

Manual Pin Package | Single Shaft | Dimensions and Technical Specifications

E1, E2 External Guide



mm [INCH]
THIRD ANGLE PROJECTION

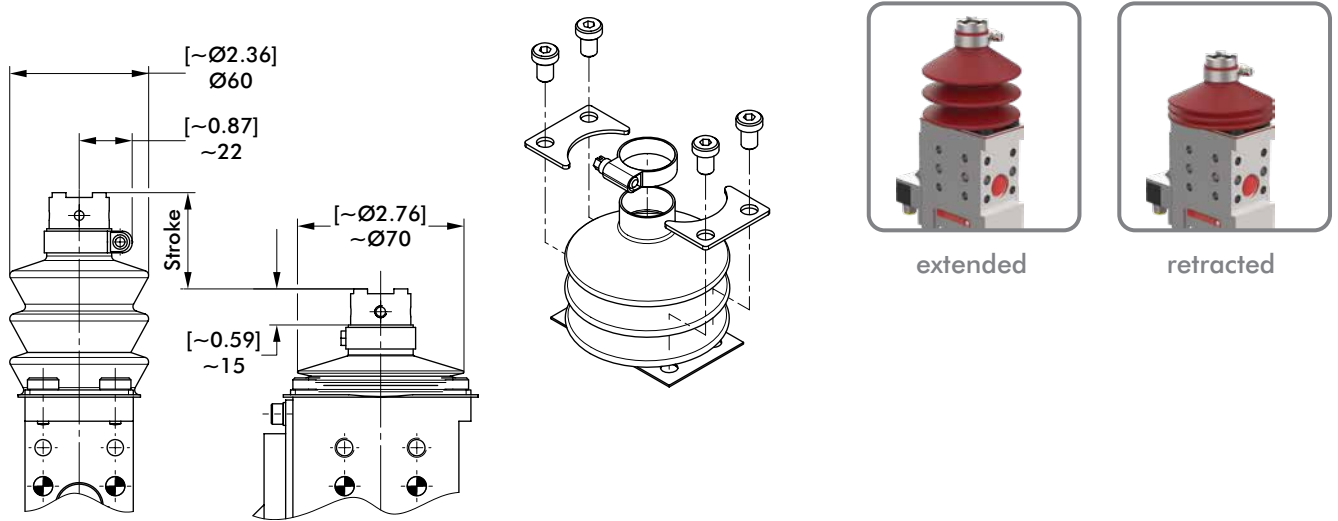
Base Model	External Guide Option	Stroke Option	H1 (max.) mm [in]	H2 mm [in]	H3 mm [in]	H4 (min.) mm [in]
56H40-2	E1	A, B	47 [1.85]	183 [7.20]	32 [1.26]	16,5 [0.65]
	E1_-K*		55 [2.17]	195 [7.68]	35 [1.38]	17,5 [0.69]
	E2	C	67 [2.64]	203 [7.99]	32 [1.26]	16,5 [0.65]
	E2_-K*		109 [4.29]	250 [9.84]	35 [1.38]	18,5 [0.73]

*Ceramic Option

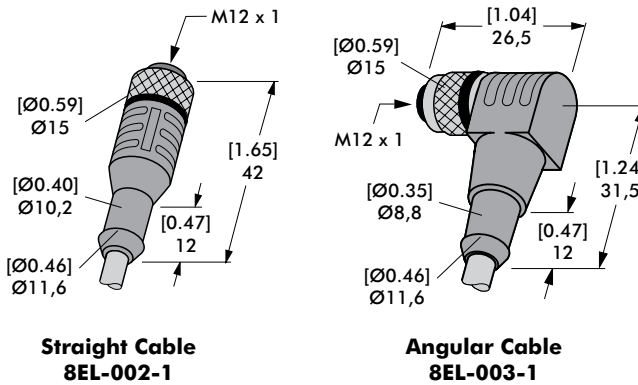
56H40-2 OPTIONS

Manual Pin Package | Single Shaft | Dimensions and Technical Specifications

F1 Bellows (Piston Rod Cover)



Sensor Cable Accessories

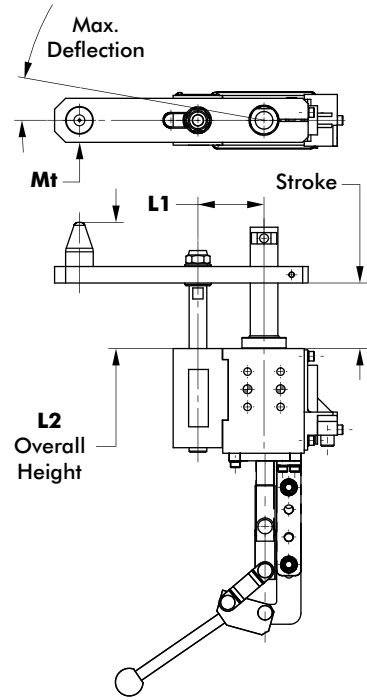


Sensor Cables (1 connector & 5m cable)	Order no.
M12x1 connector, straight, 5-pin	8EL-002-1
M12x1 connector, 90° angular, 4-pin	8EL-003-1

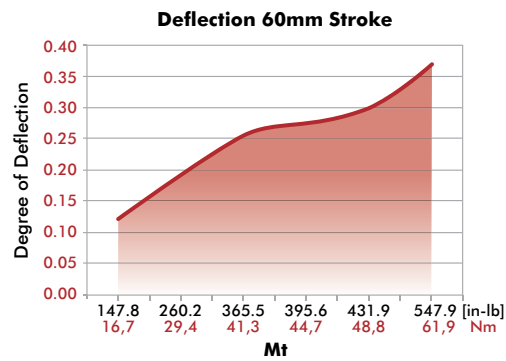
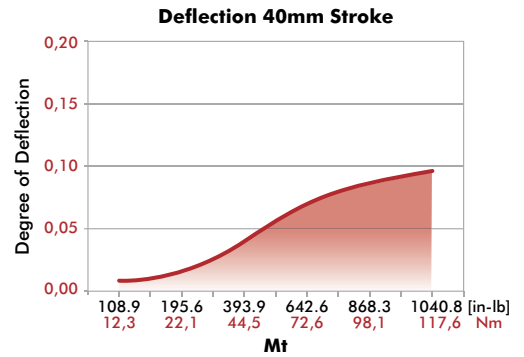
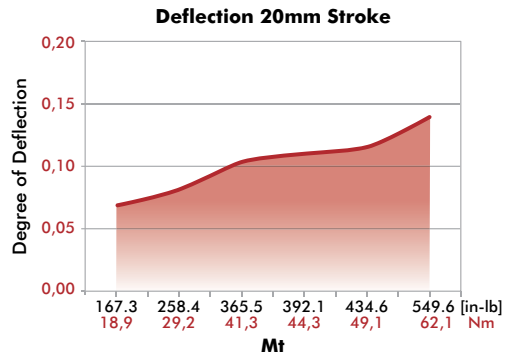
56H40-2

Manual Pin Package | Single Shaft | Technical Specifications

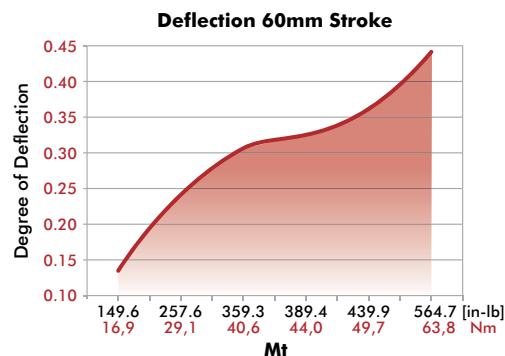
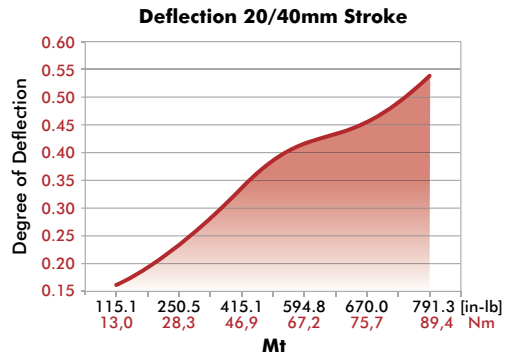
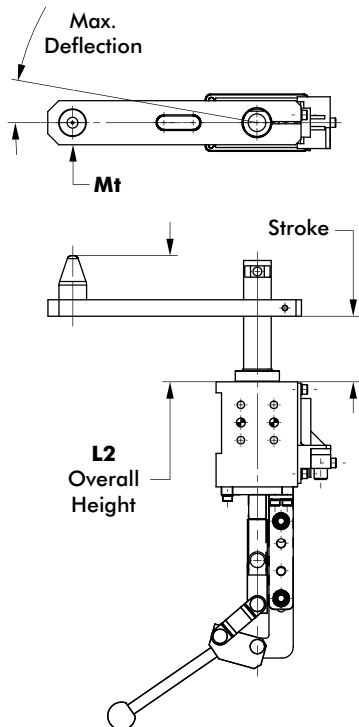
Deflection with External Guide **E1, E2**



L1 = 60mm without Adapter
L1 = 82,5mm with Adapter



Deflection without External Guide



Caution: Generally we recommend using an external guide when the transverse force is more than 200 N [45 lbs]. Also independently of the stroke, less transverse forces, when the overall height L2 > 120 mm [4.7 in] (L2 = extended piston rod plus centering pin).

