

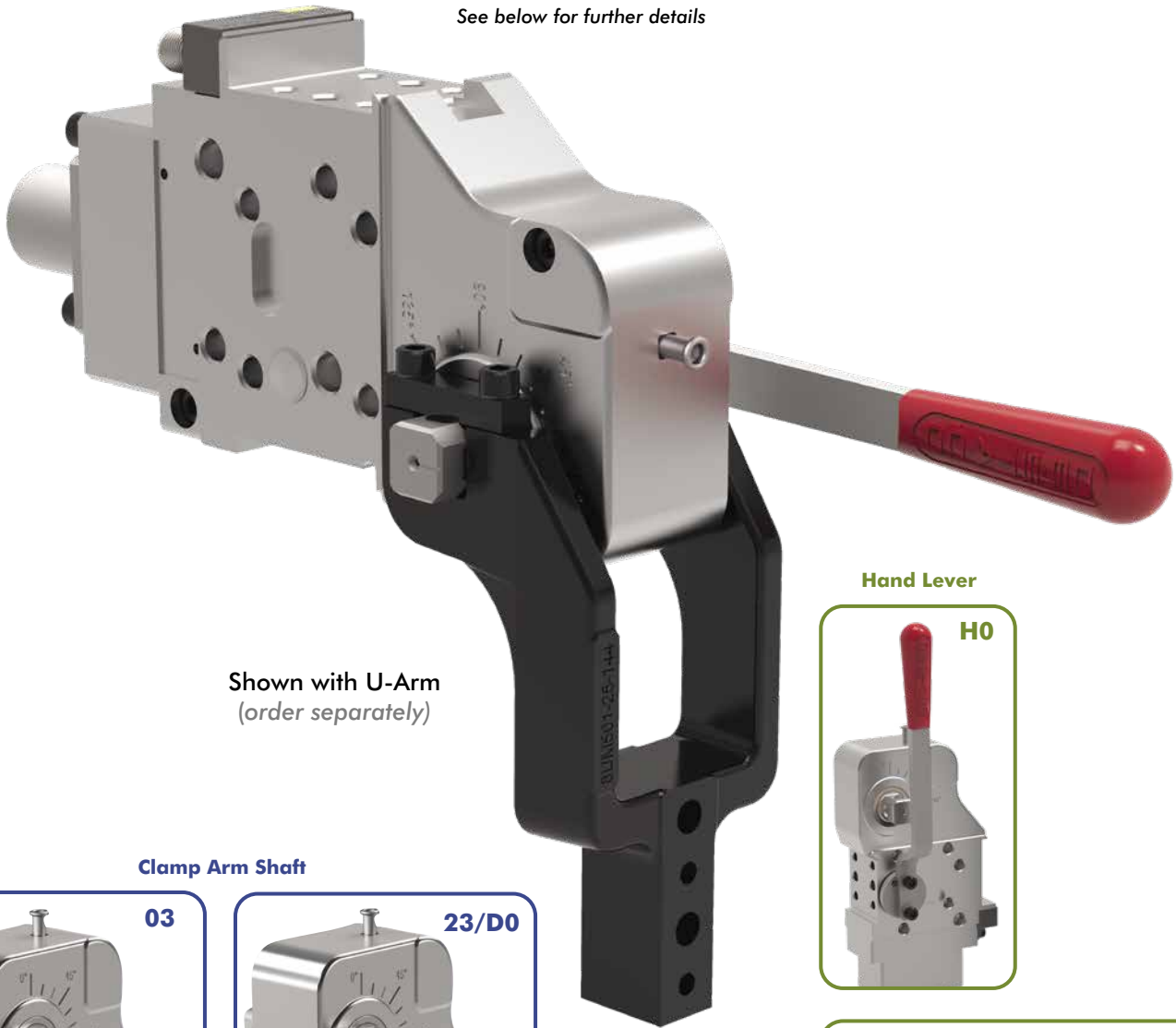
52H-3

Enclosed Modular Manual Power Clamps | Heavy-Duty | Ordering Information

52H-3 **E** **23** **H0** **50** **L8**

Mounting	Description	Clamp Arm Shaft	Description	Handle	Description
E	Standard	03	for U-Arms	H0	Hand lever
N	NAAMS (Size 63 only)	23	for Lateral Arms	HS	Hand Lever (Weldable)
		D0	for Lateral Arms (size 63 only)		

See below for further details



Shown with U-Arm
(order separately)

Clamp Arm Shaft



03

Size Shaft Length (L17)
50 12 mm [0.47 in]
63 12 mm [0.47 in]



23/D0

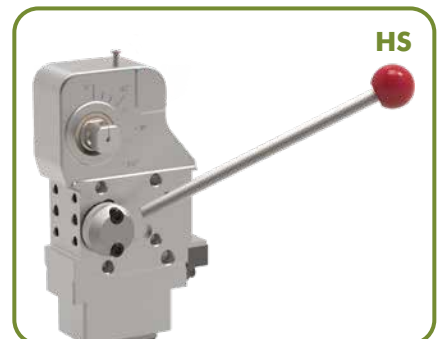
23
Size Shaft Length (L17)
50 21 mm [0.83 in]
63 21 mm [0.83 in]

D0
Size Shaft Length (L17)
D0 26 mm [1.02 in]

Hand Lever



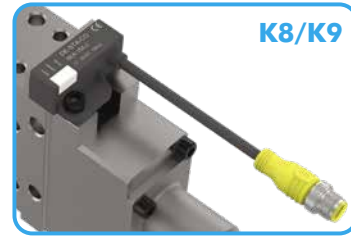
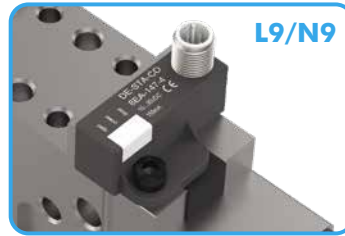
H0



HS

Enclosed Modular Manual Power Clamps | Heavy-Duty | Ordering Information

Sensor	Description
00	Without Sensing System
L8	PNP Sensor with In-line M12x1 Connector (8EA-146-4-B)
N8	NPN Sensor with In-line M12x1 Connector (8EA-154-4-B)
L9	PNP Sensor with 90° M12x1 Connector (8EA-147-4-B)
N9	NPN Sensor with 90° M12x1 Connector (8EA-155-4-B)
K8	PNP Sensor with M12x1 Cable Connector (8EA-158-4-B)
K9	NPN Sensor with M12x1 Cable Connector (8EA-167-4-B)



Size	Description
50	Size 50 mm
63	Size 63 mm



50

Max Holding Torque
1300 Nm [959 ft-lb]



63

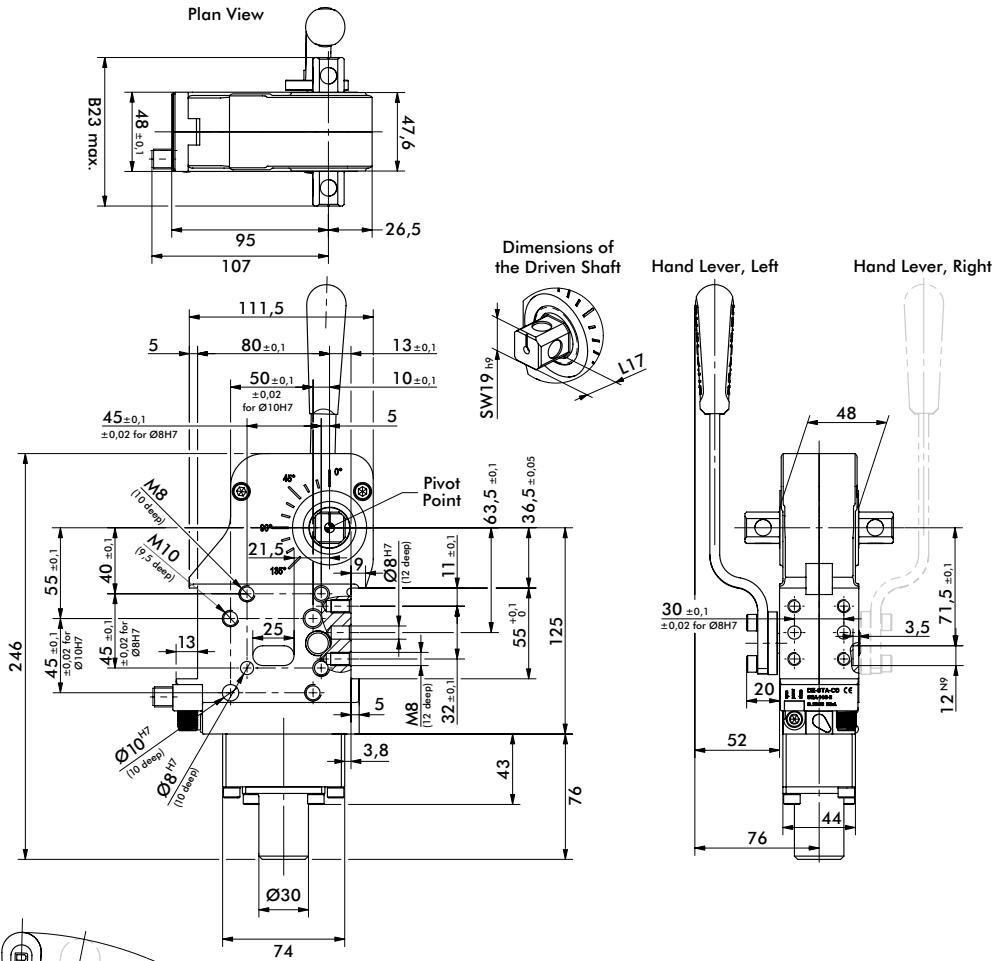
Max Holding Torque
1800 Nm [1328 ft-lb]

52H-3E..H.50/63
Modular manual
clamp, interchangeable
with 82M-3E...50/63

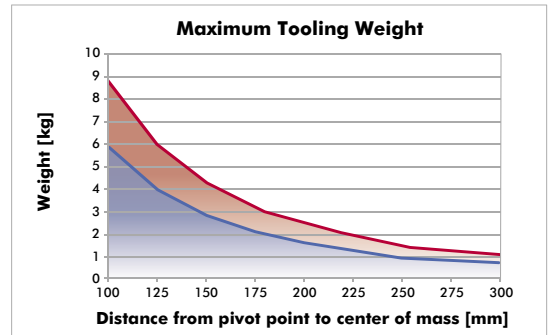
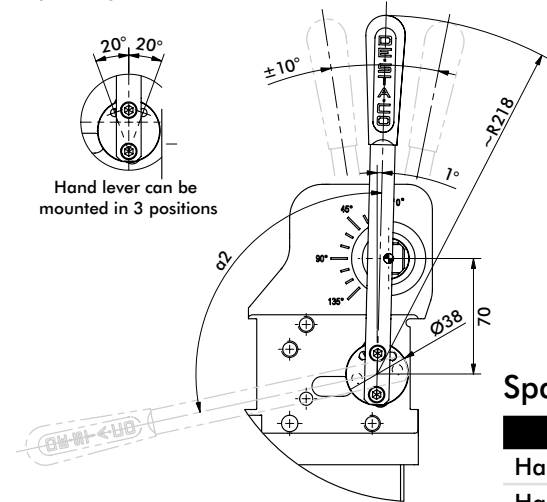
52H-3E 50MM

Enclosed Modular Manual Power Clamps | Heavy-Duty | Dimensions and Technical Specifications

Model	Max. Holding Torque (Nm)	Weight (kg)	B23 max.	L17	Swivel Angle α_2 (with reference to opening angle of clamping arm)									
					0°	15°	30°	45°	60°	75°	90°	105°	120°	135°
52H-3E03H050..	1300	2,75	72	12	-1°	30°	39°	46°	53°	61°	70°	81°	92°	103°
52H-3E23H050..		2,79	90	21										



Notice!
The hand lever is supplied loose enclosed. Easy custom left hand or right hand mounting in required position.



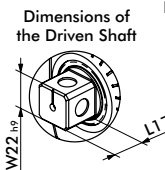
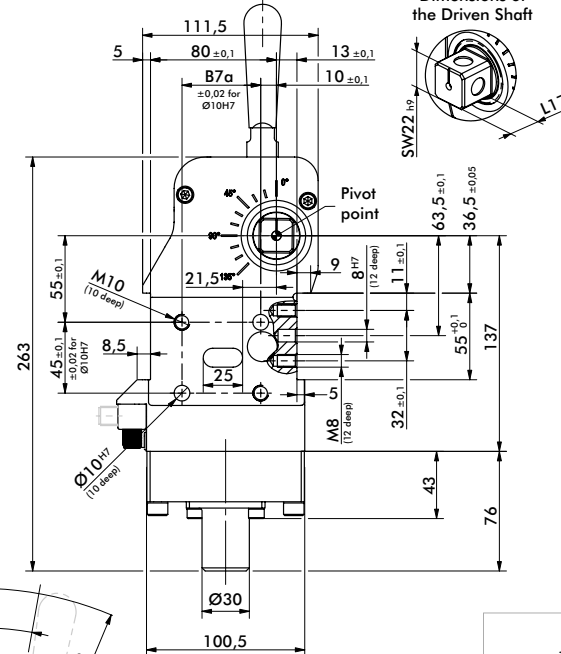
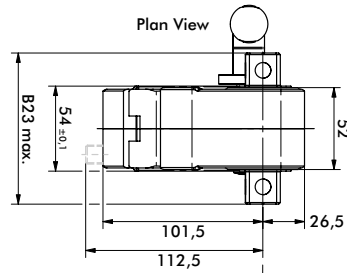
Spare parts

Specification	Base component	Order no.	Comment
Hand lever set	52H-3E...50	8KB-098-1	
Hand lever set (weldable)		8KB-102-1	
Sensor box		8EA-146-2 (L8) 8EA-147-2 (L9) 8EA-158-2 (K8)	Connector 180° Connector 90° Cable Connection

52H-3E 63MM

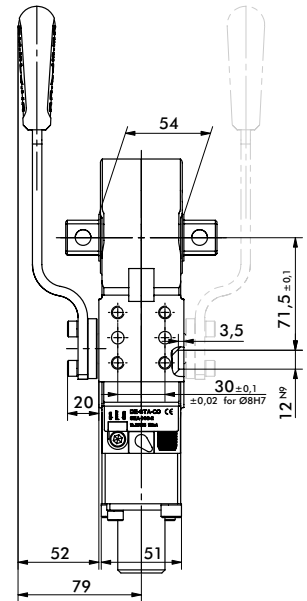
Enclosed Modular Manual Power Clamps | Heavy-Duty | Dimensions and Technical Specifications

Model	Max. Holding Torque (Nm)	Weight (kg)	B7a	B23 max.	L17	Swivel Angle α_2 (with reference to opening angle of clamping arm)										
						0°	15°	30°	45°	60°	75°	90°	105°	120°	135°	
52H-3E03H06...	1800	3,5	50	78	12											
52H-3N03H06...			55		21											
52H-3E23H06...		3,6	50	96	12	0°	30°	39°	47°	56°	66°	79°	94°	108°	119°	
52H-3N23H06...			55		21											
52H-3ND0H06...			55	106	26											



Hand lever, Left

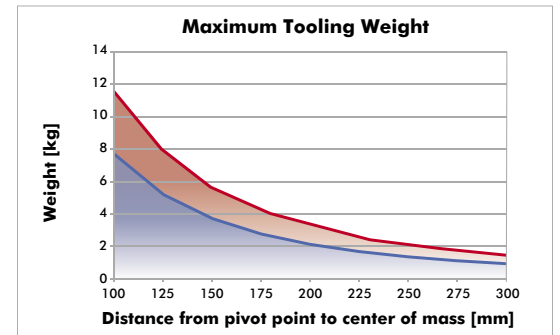
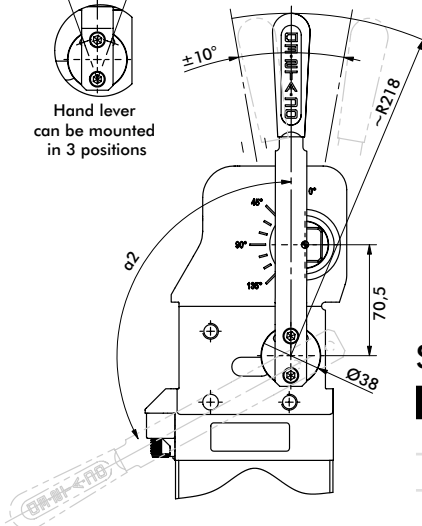
Hand lever, Right



Notice!
The hand lever is supplied loose enclosed. Easy custom left hand or right hand mounting in required position.



Hand lever can be mounted in 3 positions



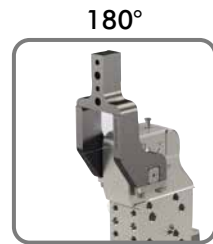
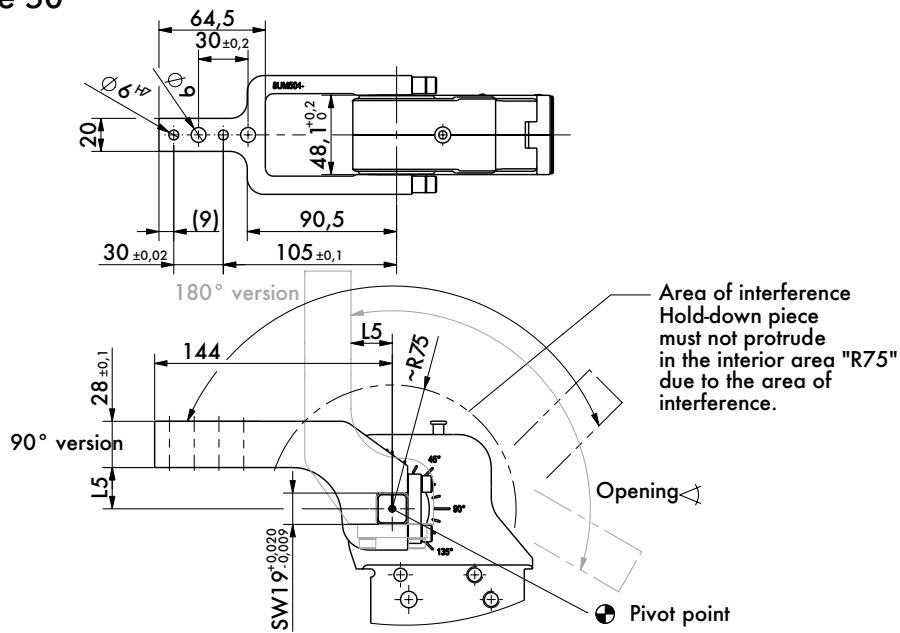
Spare parts

Specification	Base component	Order no.	Comment
Hand lever set	52H-3E...63	8KB-099-1	
Hand lever set (weldable)		8KB-103-1	
Sensor box		8EA-146-2 (L8) 8EA-147-2 (L9) 8EA-158-2 (K8)	Connector 180° Connector 90° Cable Connection

U-ARMS CENTER (ALUMINUM)

Enclosed Modular Manual Power Clamps | Heavy-Duty | Dimensions and Technical Specifications

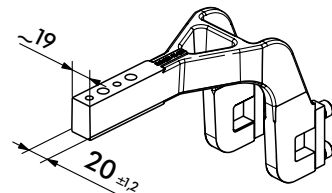
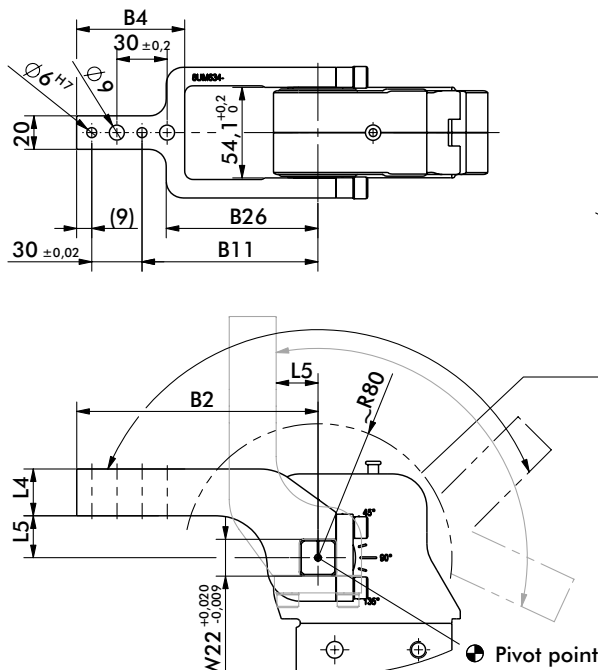
For Size 50



8UM504-15-144
8UM504-25-144
8UM504-45-144

Arm Model No.	Max. Opening 90° Version	Max. Opening 180° Version	Weight	L5
8UM504-15-144	135°	105°	0,44	15
8UM504-25-144		120°	0,45	25
8UM504-45-144		135°	0,48	45

For Size 60



Dimensions are only for 8UM631-75-204



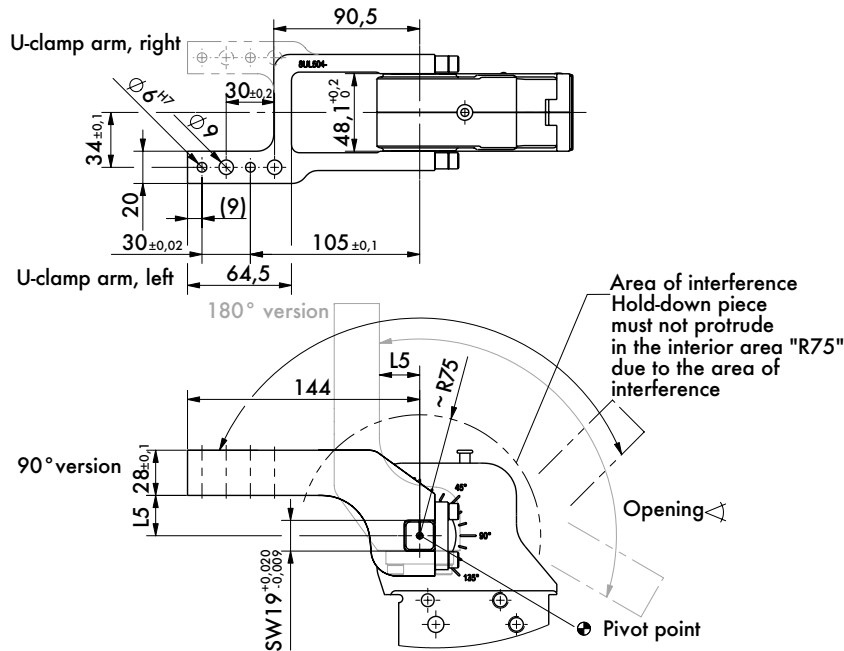
8UM634-15-144
8UM634-25-144
8UM634-45-144
8UM631-75-204**

Arm Model No.	Max. Opening 90° Version	Max. Opening 180° Version	Weight	B2	B4	B11 ±0,1	B26	L4 ±0,1	L5
8UM634-15-144	135°	105°	0,50						15
8UM634-25-144		120°	0,53	144	64,5	105	90,5	28	25
8UM634-45-144		135°	0,56						45
8UM631-75-204**		1,7	204	82	165	107	30	75	

** only steel version available.

U-ARMS OFFSET (ALUMINUM)

Enclosed Modular Manual Power Clamps | Heavy-Duty | Dimensions and Technical Specifications



For Size 50

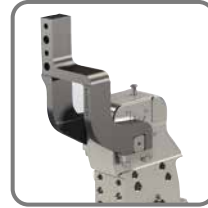
90° Left



90° Right



180° Right*



180° Left*

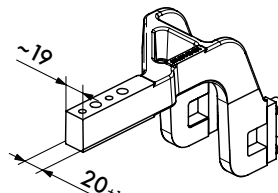
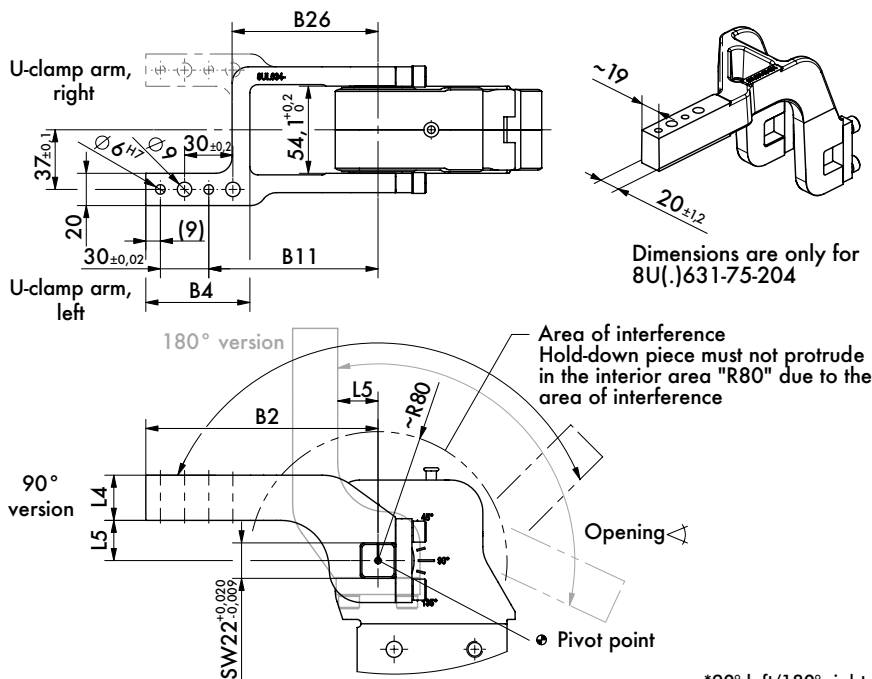


8UL504-15-144
8UL504-25-144
8UL504-45-144

8UR504-15-144
8UR504-25-144
8UR504-45-144

*90° left/180° right uses same clamp arm. 90° right/180° left uses same clamp arm.

Arm Model No.	Max. Opening 90° Version	Max. Opening 180° Version	Weight	L5
8U(.)504-15-144	135°	105°	0,45	15
8U(.)504-25-144		120°	0,46	25
8U(.)504-45-144		135°	0,49	45



Dimensions are only for 8U(.)631-75-204

For Size 63

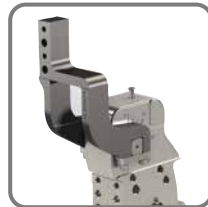
90° Left



90° Right



180° Right*



180° Left*



8UL634-15-144
8UL634-25-144
8UL634-45-144
8UL631-75-204**

8UR634-15-144
8UR634-25-144
8UR634-45-144
8UR631-75-204**

*90° left/180° right uses same clamp arm. 90° right/180° left uses same clamp arm.

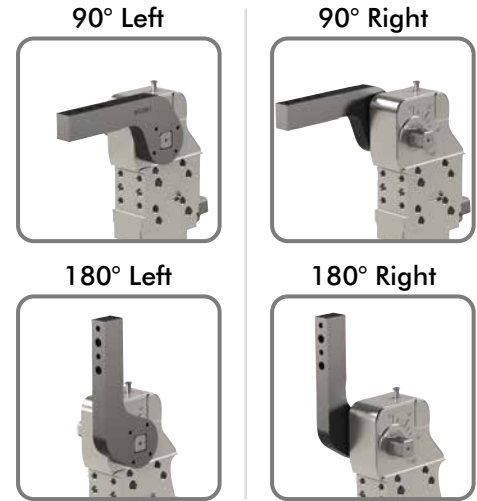
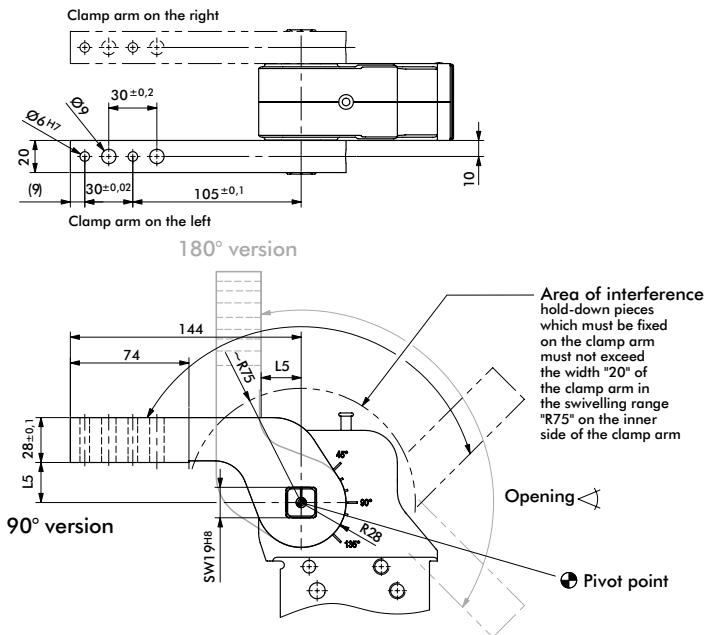
Arm Model No.	Max. Opening 90° Version	Max. Opening 180° Version	Weight	B2	B4	B11 ±0,1	B26	L4 ±0,1	L5
8U(.)634-15-144	135°	105°	0,52						15
8U(.)634-25-144		120°	0,54	144	64,5	105	90,5	28	25
8U(.)634-45-144		135°	0,58						45
8U(.)631-75-204**		135°	1,9	204	82	165	119	30	75

** only steel version available.

LATERAL (SIDE) ARMS

Enclosed Modular Manual Power Clamps | Heavy-Duty | Dimensions and Technical Specifications

For Size 50

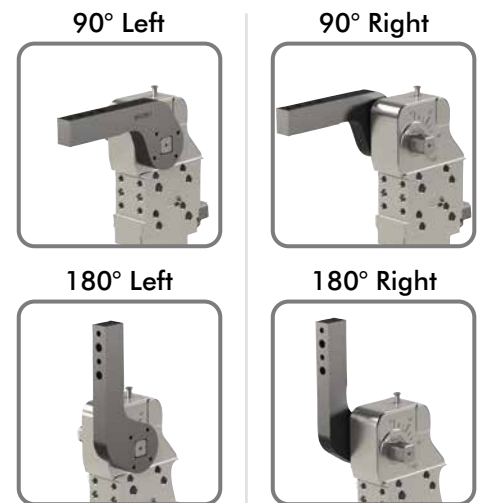
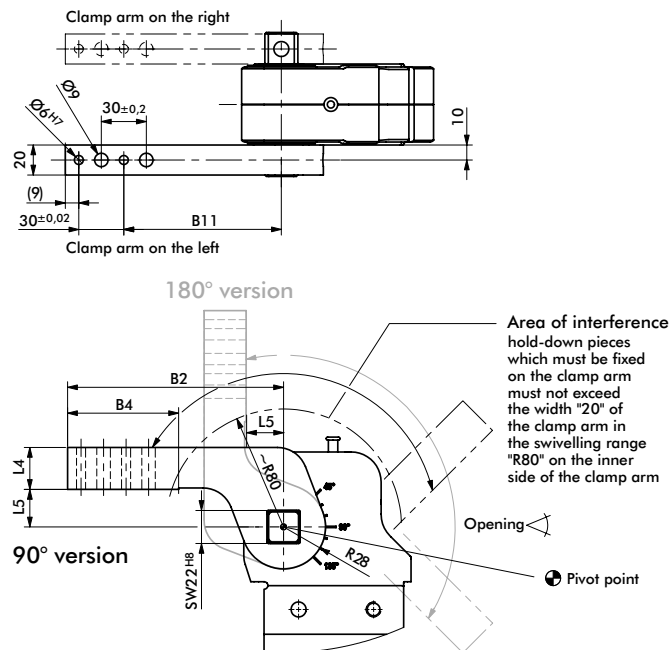


8JG-070-1-01
8S501-25-144

Arm Model No.	Max. Opening 90° Version	Max. Opening 180° Version	Weight (kg)	L5
8JG-070-1-01	135°	135°	0,9	15
8S501-25-144			1,0	25

Models with 2 lateral clamp arms requires 2 clamp arm sets.

For Size 63



8JG-080-1-01
8S631-25-144
8S631-45-144
8S631-75-204

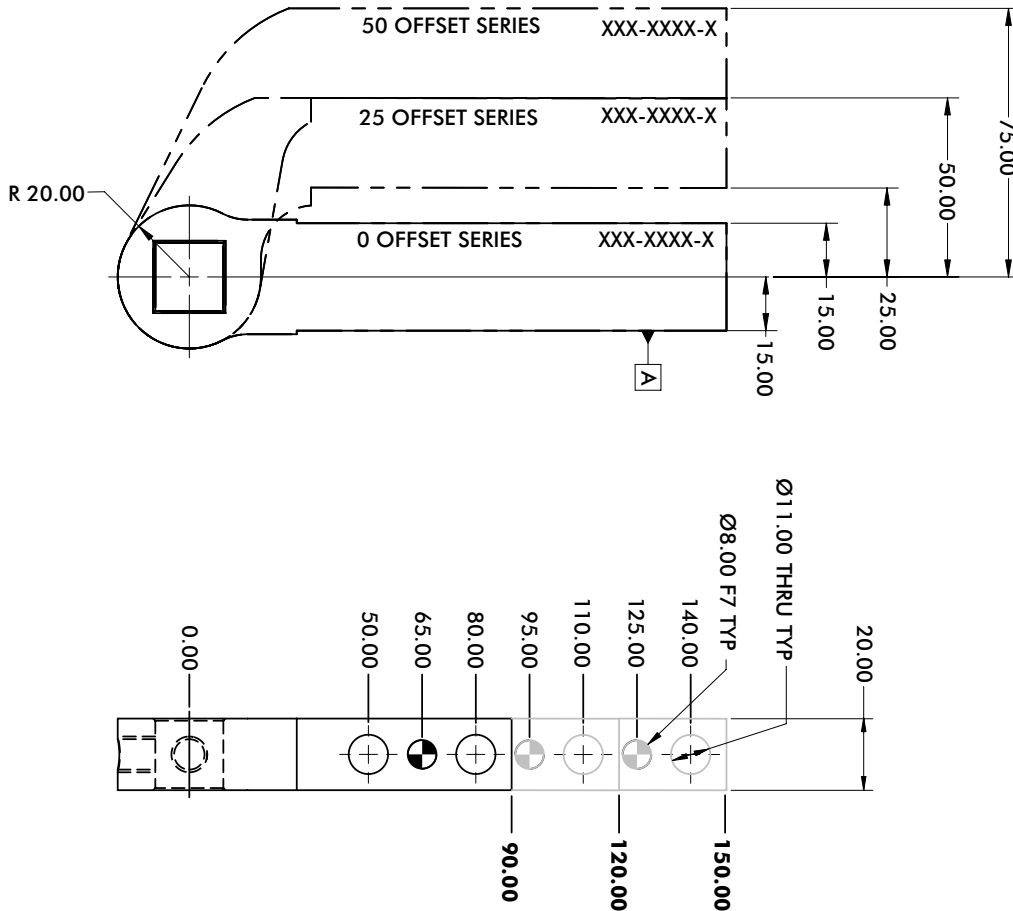
Arm Model No.	Max. Opening 90° Version	Max. Opening 180° Version	Weight (kg)	B2	B4	B11 ±0,1	L4 ±0,1	L5
8JG-080-1-01	135°	135°	0,9	144	74	105	28	15
8S631-25-144			1,0					25
8S631-45-144			1,1					45
8S631-75-204			1,5					204

Models with 2 lateral clamp arms requires 2 clamp arm sets.

LATERAL (SIDE) ARMS, NAAMS-STYLE

Enclosed Modular Manual Power Clamps | Heavy-Duty | Dimensions and Technical Specifications

For Size 50



9mm Thru Hole (6.00 H7 Dowel)

90mm [3.54"] Arm Length			120mm [4.72"] Arm Length			150mm [5.90"] Arm Length		
Series	Arm Style	Model	Series	Arm Style	Model	Series	Arm Style	Model
50 Offset	▲ • 3256	B8JG-3256-1	50 Offset	▲ • 3257	B8JG-3257-1	50 Offset	▲ • 3258	B8JG-3258-1
25 Offset	▲ • 3246	B8JG-3246-1	25 Offset	▲ • 3247	B8JG-3247-1	25 Offset	▲ • 3248	B8JG-3248-1
0 Offset	▲ • 3236	B8JG-3236-1	0 Offset	▲ • 3237	B8JG-3237-1	0 Offset	▲ • 3238	B8JG-3238-1

11mm Thru Hole (8.00 F7 Dowel)

90mm [3.54"] Arm Length			120mm [4.72"] Arm Length			150mm [5.90"] Arm Length		
Series	Arm Style	Model	Series	Arm Style	Model	Series	Arm Style	Model
50 Offset	▲ • 1226	B8JG-1226-1	50 Offset	▲ • 1227	B8JG-1227-1	50 Offset	▲ • 1228	B8JG-1228-1
25 Offset	▲ • 1216	B8JG-1216-1	25 Offset	▲ • 1217	B8JG-1217-1	25 Offset	▲ • 1218	B8JG-1218-1
0 Offset	▲ • 1206	B8JG-1206-1	0 Offset	▲ • 1207	B8JG-1207-1	0 Offset	▲ • 1208	B8JG-1208-1

▲ Common in North America

(•) STANDARD ARM OFFERING

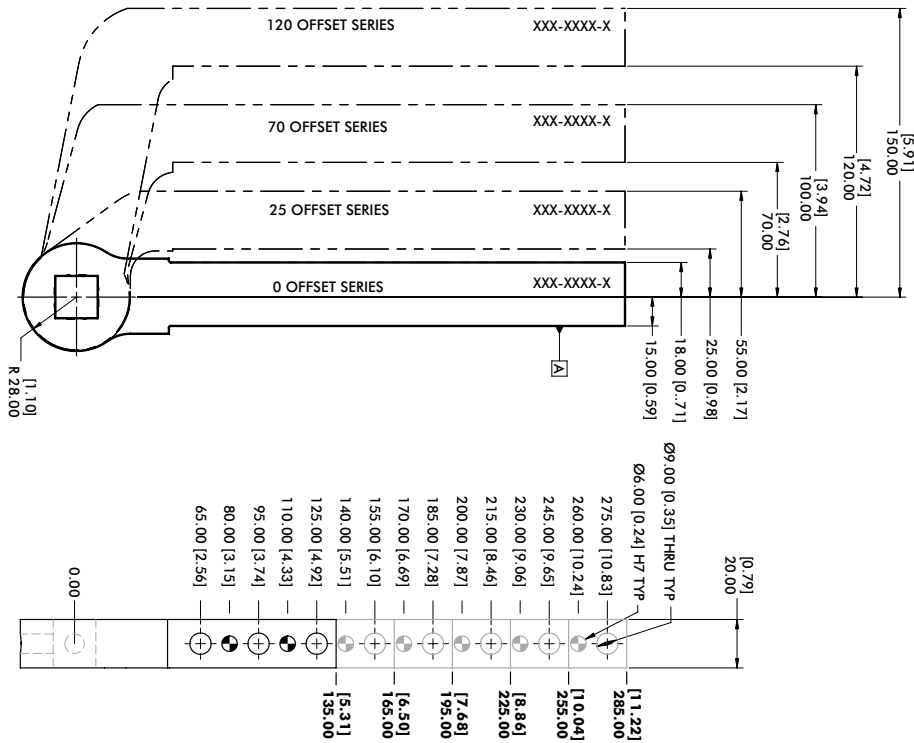
Maximum Opening Angle (shown in locked position)

Arm Styles	Image 1	Image 2	Image 3	Image 4	Image 5	Image 6
1206-1208/3236-3238	135°	135°	100°	100°	N/A	N/A
1216-1218/3246-3248	135°	N/A	50°	125°	N/A	30°
1226-1228/3256-3258	125°	N/A	35°	135°	N/A	50°

LATERAL (SIDE) ARMS, NAAMS-STYLE

Enclosed Modular Manual Power Clamps | Heavy-Duty | Dimensions and Technical Specifications

For Size 63mm for 23 Clamp Arm Shaft Option



135mm [5.31"] Arm Length

Series	Arm Style	Model
120 Offset	▲ 1543	B8JG-1543-1
70 Offset	▲ 1531	B8JG-1531-1
25 Offset	▲ 1519	B8JG-1519-1
0 Offset	▲ 1507	B8JG-1507-1

165mm [6.50"] Arm Length

Series	Arm Style	Model
120 Offset	▲ 1544	B8JG-1544-1
70 Offset	▲ 1532	B8JG-1532-1
25 Offset	▲ 1520	B8JG-1520-1
0 Offset	▲ 1508	B8JG-1508-1

195mm [7.68"] Arm Length

Series	Arm Style	Model
120 Offset	▲ 1545	B8JG-1545-1
70 Offset	▲ 1533	B8JG-1533-1
25 Offset	▲ 1521	B8JG-1521-1
0 Offset	▲ 1509	B8JG-1509-1

225mm [8.86"] Arm Length

Series	Arm Style	Model
120 Offset	▲ 1546	B8JG-1546-1
70 Offset	▲ 1534	B8JG-1534-1
25 Offset	▲ 1522	B8JG-1522-1
0 Offset	▲ 1510	B8JG-1510-1

255mm [10.04"] Arm Length

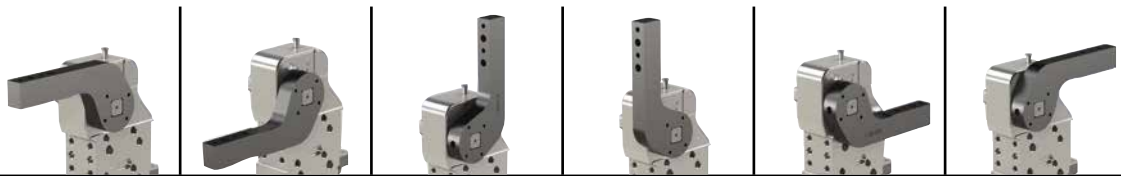
Series	Arm Style	Model
120 Offset	▲ 1547	B8JG-1547-1
70 Offset	▲ 1535	B8JG-1535-1
25 Offset	▲ 1523	B8JG-1523-1
0 Offset	▲ 1511	B8JG-1511-1

285mm [11.22"] Arm Length

Series	Arm Style	Model
120 Offset	▲ 1548	B8JG-1548-1
70 Offset	▲ 1536	B8JG-1536-1
25 Offset	▲ 1524	B8JG-1524-1
0 Offset	▲ 1512	B8JG-1512-1

▲ Common in North America

Maximum Opening Angle (shown in locked position)

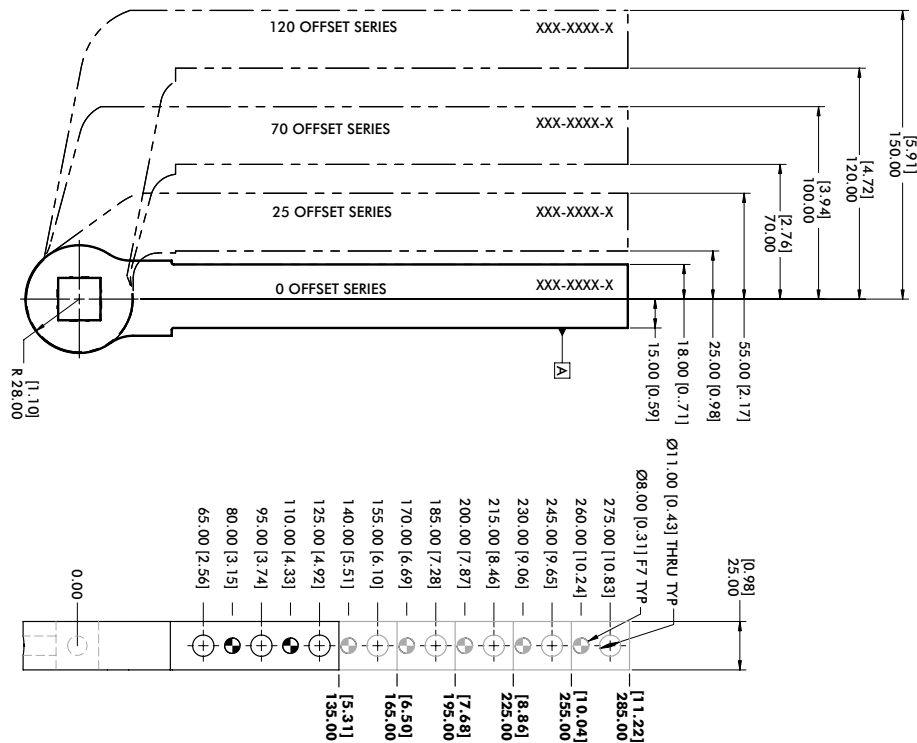


Arm Styles	135°	135°	100°	100°	N/A	N/A
1510-1512/1507-1509	135°	135°	100°	100°	N/A	N/A
1522-1524/1519-1521	135°	N/A	50°	130°	N/A	40°
1534-1536/1531-1533	115°	N/A	25°	135°	N/A	75°
1546-1548/1543-1545	110°	N/A	20°	135°	N/A	85°

LATERAL (SIDE) ARMS, NAAMS-STYLE

Enclosed Modular Manual Power Clamps | Heavy-Duty | Dimensions and Technical Specifications

For Size 63mm for DO Clamp Arm Shaft Option



135mm [5.31"] Arm Length

Series	Arm Style	Model
120 Offset	▲ • 1043	B8JG-1043-1
70 Offset	▲ • 1031	B8JG-1031-1
25 Offset	▲ • 1019	B8JG-1019-1
0 Offset	▲ • 1007	B8JG-1007-1

155mm [6.50"] Arm Length

Series	Arm Style	Model
120 Offset	▲ ① 1044	B8JG-1044-1
70 Offset	▲ • 1032	B8JG-1032-1
25 Offset	▲ • 1020	B8JG-1020-1
0 Offset	▲ • 1008	B8JG-1008-1

195mm [7.68"] Arm Length

Series	Arm Style	Model
120 Offset	▲ ① 1045	B8JG-1045-1
70 Offset	▲ • 1033	B8JG-1033-1
25 Offset	▲ ① 1021	B8JG-1021-1
0 Offset	▲ • 1009	B8JG-1009-1

225mm [8.86"] Arm Length

Series	Arm Style	Model
120 Offset	▲ ① 1046	B8JG-1046-1
70 Offset	▲ • 1034	B8JG-1034-1
25 Offset	▲ ① 1022	B8JG-1022-1
0 Offset	▲ ① 1010	B8JG-1010-1

255mm [10.04"] Arm Length

Series	Arm Style	Model
120 Offset	▲ ① 1047	B8JG-1047-1
70 Offset	▲ • 1035	B8JG-1035-1
25 Offset	▲ ① 1023	B8JG-1023-1
0 Offset	▲ ① 1011	B8JG-1011-1

285mm [11.22"] Arm Length

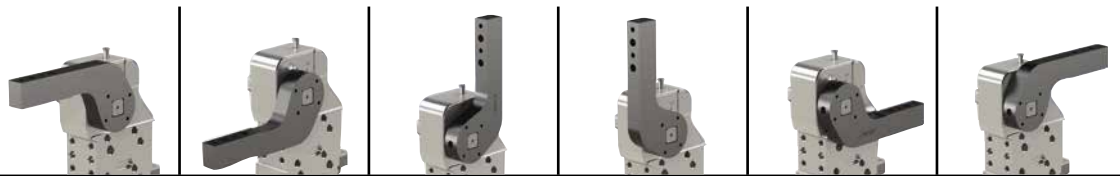
Series	Arm Style	Model
120 Offset	▲ ① 1048	B8JG-1048-1
70 Offset	▲ ① 1036	B8JG-1036-1
25 Offset	▲ ① 1024	B8JG-1024-1
0 Offset	▲ ① 1012	B8JG-1012-1

▲ Common in North America

(•) STANDARD ARM OFFERING

① NON-STANDARD ARM OFFERING (extended leadtimes apply)

Maximum Opening Angle (shown in locked position)



Arm Styles	135mm	155mm	170mm	185mm	200mm	215mm	230mm	245mm	275mm
1010-1012/1007-1009	135°	135°	100°	100°	N/A	N/A	N/A	N/A	N/A
1022-1024/1019-1021	135°	N/A	50°	130°	N/A	N/A	N/A	N/A	40°
1034-1036/1031-1033	115°	N/A	25°	135°	N/A	N/A	N/A	N/A	75°
1046-1048/1043-1045	110°	N/A	20°	135°	N/A	N/A	N/A	N/A	85°