

858 SERIES

Pneumatic Toggle Clamps | Product Overview

Features:

- Hardened pins and bushing at all pivot points for long lifecycle
- Large, solid clamping arm is easily modified to suit application requirements
- Sensor ready for round or T-slot style sensors

Applications:

- Assembly
- Welding

Also Available:

See page MC-PSC-38 for sensing options

858
858-E



Technical Information | Holding Capacities

| Model | Maximum Holding Capacity | | Max. Exerting Force @ 5bar [72PSI] | | Weight | Bore Size | Air Consumption† dm ³ [ft ³] | Port Size |
|-------|--------------------------|-------------|------------------------------------|-----------|-----------|-----------|--|-----------|
| | Inner | Outer | Inner | Outer | | | | |
| 858 | [4,000 lbf] | [2,000 lbf] | [1,530 lbf] | [800 lbf] | [16.11lb] | [2.48] | [0.109] | 1/4 NPT |
| 858-E | 17800 N | 8900 N | 6857 N | 3585 N | 7.31kg | 63 | 3,08 | G-1/4 |

†Per double stroke at 5bar [72PSI]

Max Cylinder Pressure: 10bar [145psig]*

Max Operating Temp: -10°C to 90°C [-14°F to 194°F]

Replacement Seal Kit: 850450-63-1-00

Replacement Clamp Assembly: 858-LC

Replacement Cylinder Assembly: 858CYL

*In no case should the inlet pressure be high enough to create an exerting force that exceeds the clamp's holding capacity. See Technical Appendix Section for details.

Sensor Accessories

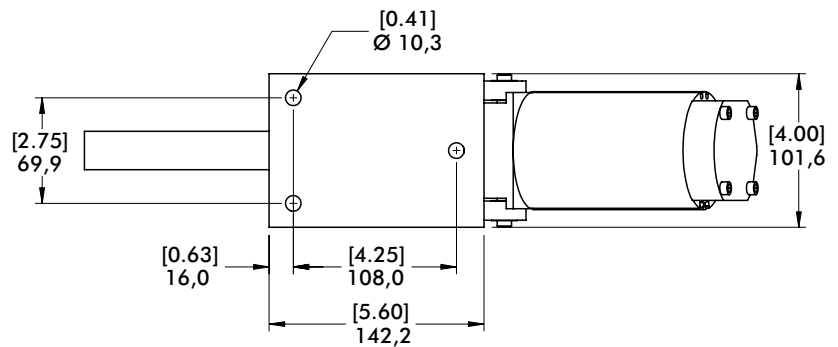
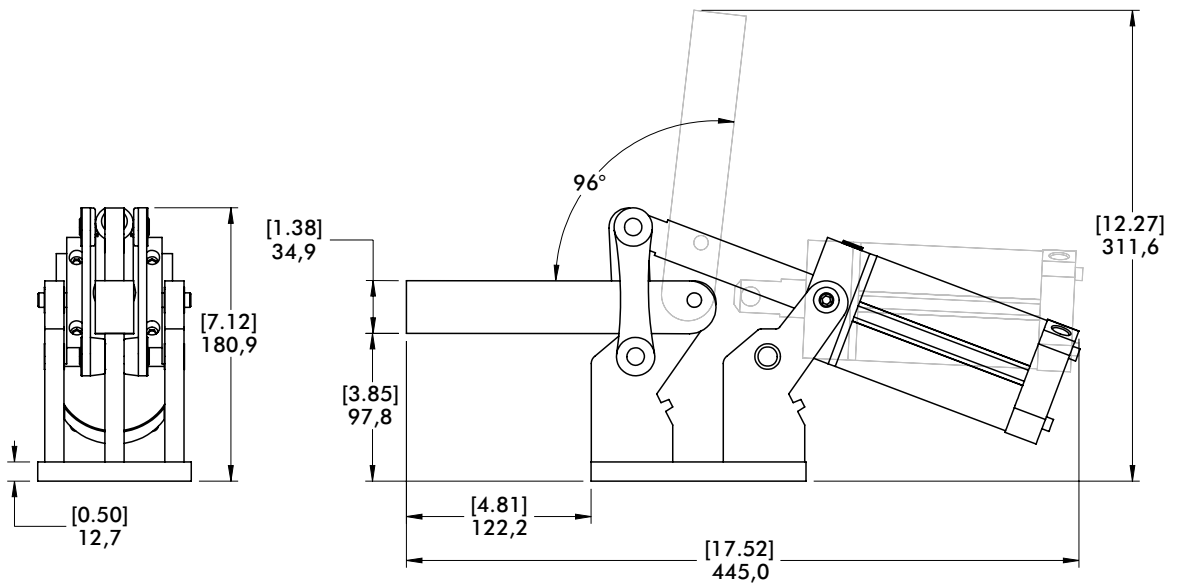
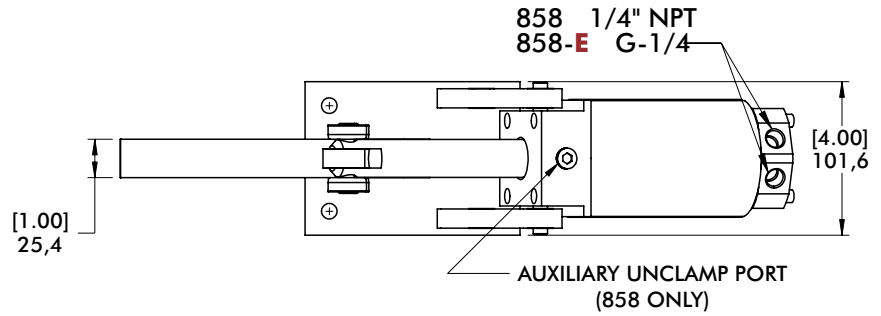
| | Item Number |
|--|-------------|
| Round Reed Switch with Quick Disconnect | 810169 |
| T-slot Reed Switch with Quick Disconnect | 8EA-109-1 |
| Quick Disconnect 2M Extension Cable | CABL-010 |
| Quick Disconnect 5M Extension Cable | CABL-013 |

See Pneumatic Accessories section for more options

858 SERIES

Pneumatic Toggle Clamps | Dimensions

858
858-E



mm [INCH]
THIRD ANGLE
PROJECTION