

# 353 SERIES

## Pull Action Latch Clamps | Dimensions

### Features:

- Heavy duty cast steel clamps are designed to withstand the harshest environments
- Ideally suit for parting line clamping of rotational molds
- Replaceable stainless steel pivot pins

### Applications:

- Molding
- Closures for doors, lids, covers

### Also Available:

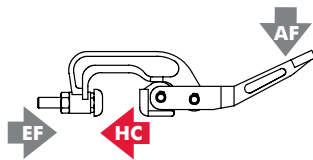
- Keeper plate
- Tapered bolt assembly

353-35

353-65

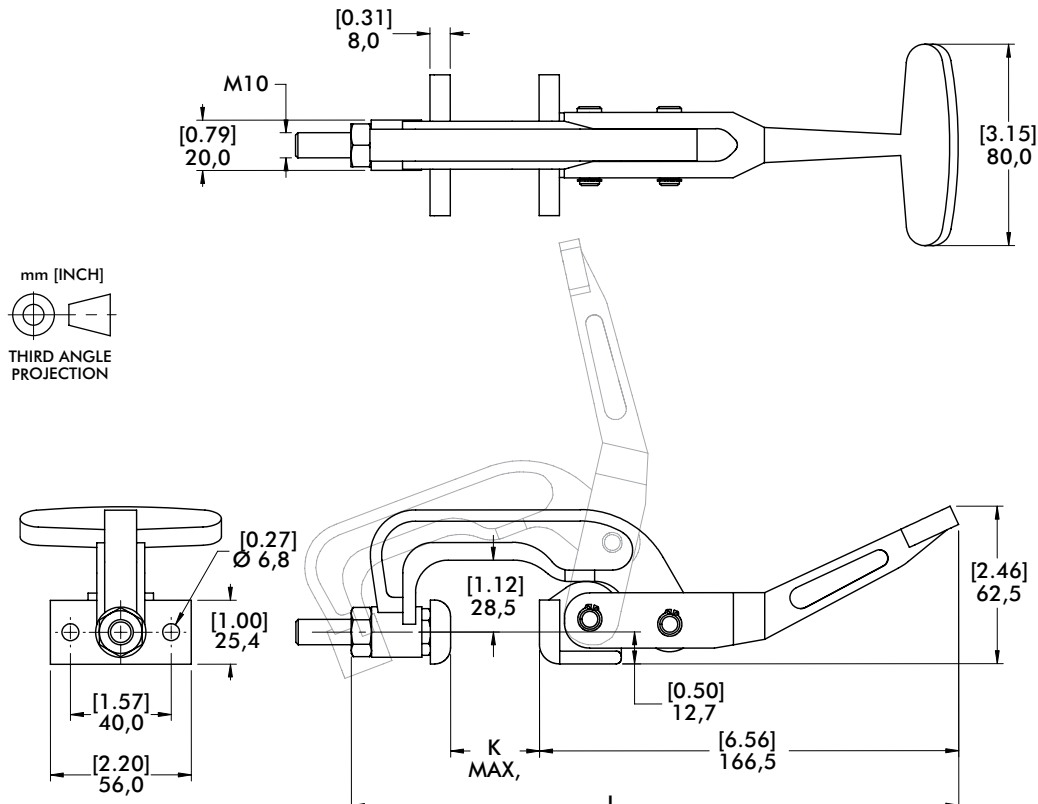


## Technical Information | Holding Capacities



Model	Max. Holding Capacity	Weight	EF:AF	Drawing Movement	L	K	Keeper Plate (included)	Tapered Bolt Assembly (included)
353-35	[2800 lbf] 12460 N	[2.10lb] 0,95kg	23:1	12 [0.47]	[9.50] 241,5	[1.38] 35	353004	353908
353-65	[2100 lbf] 9350 N	[2.30lb] 1,04kg	27:1		[10.69] 271,5	[2.56] 65	353004	

EF = Exerting Force, AF = Applied Force



# 325 SERIES

## Squeeze Action Plier Clamps | Product Overview

### Features:

- Designed for attachment by welding or using mounting holes
- Available in stainless steel as **-SS** version

### Applications:

- Molding
- Closures for doors, lids, covers

### Also Available:

See page MC-ACC-1 for accessories

325,  
325-SS



## Technical Information | Holding Capacities

Model	Max. Holding Capacity	Weight	Jaw Opening	Spindle (Supplied)
325	3560 N [800 lbf]	0,54kg [1.18lb]	90°	325203-M
325-SS				325943-M

## Dimensions

