

# 3031, 3051 SERIES

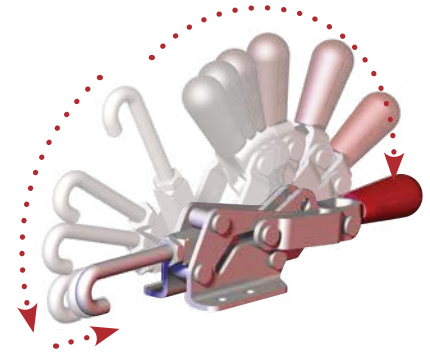
## Pull Action Latch Clamps | Product Overview

### Features:

- Safe, single handed operation
- Innovative controlled motion
- Secure toggle locking action
- Simple set-up and adjustment
- Clamp hook/arm moves and stays safely out of the way
- Stainless steel version available as **-SS** models

### Applications:

- Molding
- Closures for doors, lids, covers
- Assembly
- Checking fixtures



3031 ⓘ  
3031-SS



3031-R ⓘ  
3031-RSS ⓘ  
with DESTACO®  
Toggle Lock  
Plus™



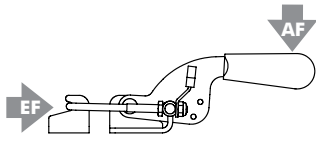
3051  
3051-SS



3051-R  
3051-RSS  
with DESTACO®  
Toggle Lock  
Plus™



## Technical Information | Holding Capacities | Dimensions



Model	Max. Holding Capacity	Weight	EF:AF	Drawing Movement	Replacement Hook Assembly	Hook Adj. Range
3031 ⓘ	900N [200lbf]	0,30kg [0.65lb]	12:1	12,7 [0.50]	3031208	10 [0.39]
3031-R ⓘ					3031808	
3031-SS						
3031-RSS ⓘ						
3051	6700N [1500lbf]	0,50kg [1.0lb]		19,1 [0.75]	3051208	14 [0.55]
3051-R					3051808	
3051-SS						
3051-RSS						

ⓘ Coming Soon

# 3031, 3051 SERIES

## Pull Action Latch Clamps | Product Overview

3031 ⓘ  
3031-SS



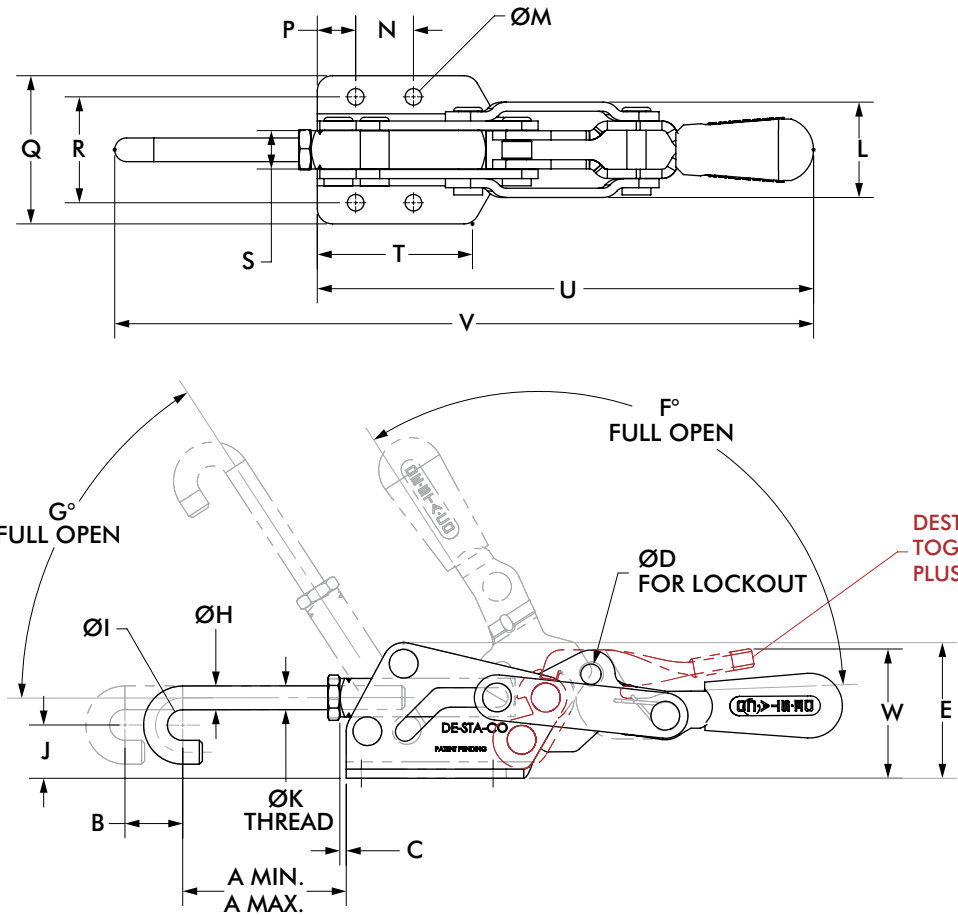
3031-R ⓘ  
3031-RSS ⓘ



3051  
3031-SS



3051-R  
3051-RSS



mm [INCH]  
THIRD ANGLE PROJECTION

Model	A min.	A max	B	C	D	E	F	G	H	I	J	K
3031 ⓘ												
3031-SS	[1.62]	[2.02]	[.50]	[.16]	[.19]	[1.35]	123°	50°	[.17]	[.32]	[.48]	M5x0.8
3031-R ⓘ	41,25	51,25	12,5	4,1	Ø4,7	34,3			Ø4,4	Ø8,1	12,1	
3031-RSS ⓘ												
3051												
3051-SS	[1.99]	[2.50]	[.75]	[.08]	[.27]	[1.77]	123°	57°	[.31]	[.39]	[.69]	M8x1.25
3051-R	50,6	63,6	19,1	2,1	Ø6,7	44,9			Ø8,0	Ø10	17,6	
3051-RSS												

Model	L	M	N	P	Q	R	S	T	U	V	W
3031 ⓘ											-
3031-SS	[1.12]	[.22]	[.75]	[.38]	[1.69]	[1.22]	[.38]	[1.65]	[5.71]	[8.06]	-
3031-R ⓘ	28,4	Ø5,5	19,1	9,5	43	31,1	9,5	42	145,1	204,8	[1,77]
3031-RSS ⓘ											44.8
3051											-
3051-SS	[1.24]	[.22]	[.75]	[.50]	[1.93]	[1.38]	[.50]	[2.03]	[6.47]	[8.98]	-
3051-R	31,4	Ø5,5	19,1	12,7	49	35	12,7	51,5	164,4	228	[1.68]
3051-RSS											42,7

ⓘ Coming Soon

# 330, 351, 371, 381 SERIES

## Pull Action Latch Clamps | Product Overview

### Features:

- J-hook style latch clamps are supplied with threaded J-hooks for easy adjustment
- Supplied with patented thumb control lever for one handed operation
- DESTACO® Toggle Lock Plus™ versions available
- Stainless steel version available as **-SS** models

### Applications:

- Molding
- Closures for doors, lids, covers
- Assembly

### Also Available:

- Clamps with longer hooks available Upon Request that are 25mm, 50mm, 100mm longer than standard length
- To order clamp with longer hook, add **-M-25**, **-M-50**, or **-M-100** to the end of the model. Example: 330-**M-50**

Covered under one or more U.S./International Patents

330  
330-SS



351  
351-SS



351-B  
351-BSS  
Narrow Base



351-R  
351-RSS  
with DESTACO®  
Toggle Lock  
Plus™



371  
371-SS



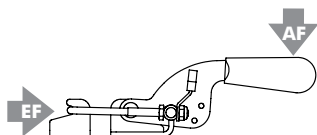
371-R  
371-RSS  
with DESTACO®  
Toggle Lock  
Plus™



381  
381-SS



## Technical Information | Holding Capacities



Model	Max. Holding Capacity	Weight	EF:AF	Drawing Movement	Replacement Hook Assembly	Hook Adj. Range				
330	900 N [200 lbf]	0,11kg [0.24lb]	17:1	59,7 [2.35]	330215	7.4 [0.29]				
330-SS					330915					
351	1670 N [375 lbf]	0,28kg [0.61lb]	21:1	101,6 [4.00]	351215	12.4 [0.49]				
351-SS	2000 N [450 lbf]				351915					
351-B	1670 N [375 lbf]				351215					
351-BSS					351915					
351-R					351215					
351-RSS					351915					
371	3340 N [750 lbf]				0,69kg [1.53lb]		36:1	136,7 [5.38]	371215	23.9 [0.94]
371-SS									371915	
371-R		371215								
371-RSS		371915								
381	4450 N [1000 lbf]	1,16kg [2.56lb]	37:1	155,7 [6.13]	381215	29.7 [1.17]				
381-SS					381915					

EF = Exerting Force, AF = Applied Force

# 330, 351, 371, 381 SERIES

Pull Action Latch Clamps | Dimensions | -SS/-B/-BSS

330  
330-SS



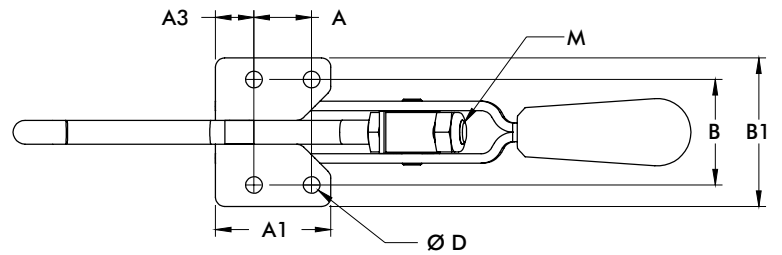
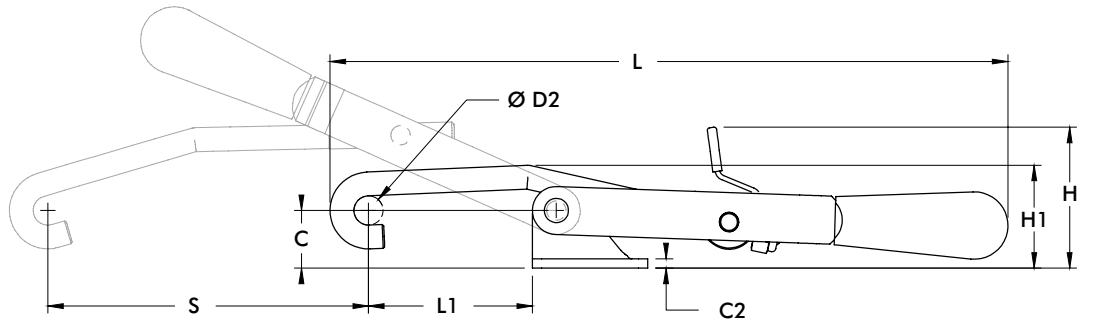
351  
351-SS



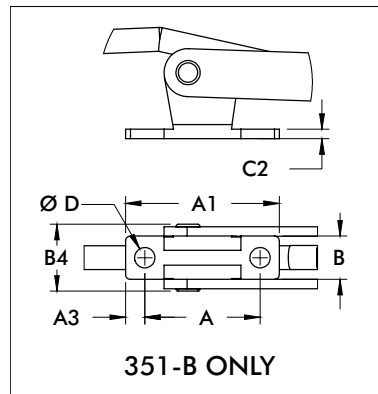
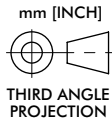
371  
371-SS



381  
381-SS



351-B  
351-BSS  
Narrow Base



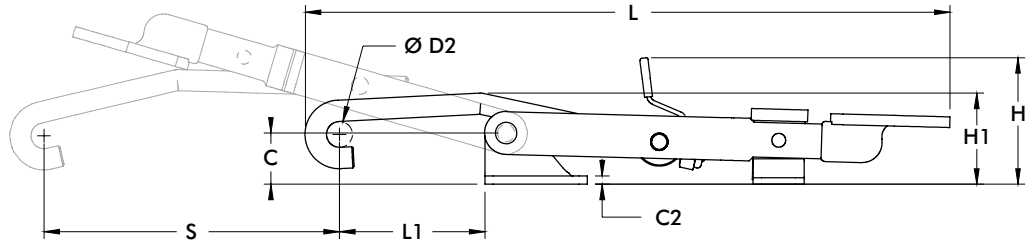
Model	A	A1	A3	B
330	[0.50]	[1.00]	[0.25]	[1.22]
330-SS	12,7	25,4	6,4	30,9
351	[0.75]	[1.50]	[0.50]	[1.37]
351-SS	19,1	38,1	12,7	34,8
351-B	[1.50]	[2.00]	[0.25]	[0.56]
351-BSS	38,1	38,1	6,4	14,3
371	[1.25]	[1.94]	[0.34]	[1.94]
371-SS	31,8	49,2	8,7	49,2
381	[1.13]	[2.13]	[0.50]	[2.37]
381-SS	28,6	54,1	12,7	60,3

Model	B1	B4	C	C2	Ø D	Ø D2	H	H1	L	L1 Max	M	S
330	[1.69]	-	[0.56]	[0.12]	[0.22]	[0.32]	[1.43]	[0.89]	[6.01]	[1.70]	M5	[2.35]
330-SS	42,9	-	14,2	3,1	5,6	8,1	36,2	22,6	152,7	43,3		59,7
351	[1.93]	-	[0.75]		[0.22]		[1.83]	[1.34]	[8.82]	[2.13]	M8	[4.00]
351-SS	49,1	-	19,1	[0.12]	5,5	[0.38]	46,6	34	224	54,2		
351-B		[0.87]	[0.86]		[0.27]		[1.94]	[1.45]		[1.63]		
351-BSS		22,1	21,8		6,7		49,3	36,8		41,4		
371	[2.63]	-	[1.42]	[0.16]	[0.34]	[0.50]	[2.58]	[2.23]	[11.89]	[2.81]	M10	[5.38]
371-SS	66,7	-	36,1	4	8,7	12,7	65,6	56,5	302	71,5		136,7
381	[3.38]	-	[1.81]	[0.19]	[0.41]	[0.62]	[2.90]	[2.71]	[13.45]	[3.13]	M12	[6.13]
381-SS	85,9	-	46	4,7	10,3	15,7	73,6	68,8	341,7	79,5		155,7

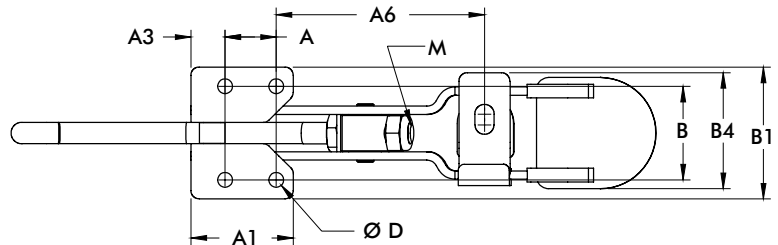
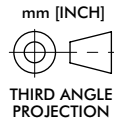
# 351-R, 371-R SERIES

## Pull Action Latch Clamps | Dimensions

**351-R**  
**351-RSS**  
 with DESTACO®  
 Toggle Lock  
 Plus™

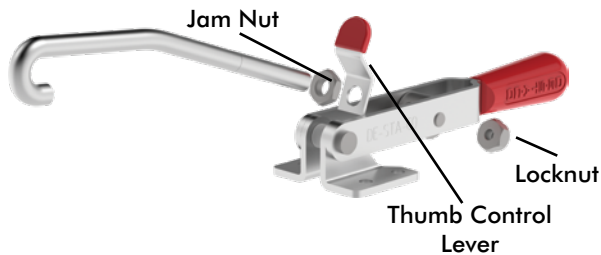
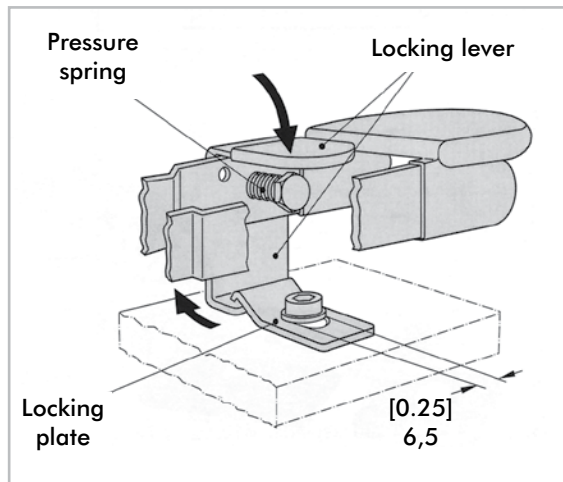


**371-R**  
**371-RSS**  
 with DESTACO®  
 Toggle Lock  
 Plus™



Model	A	A1	A3	A6	B	B1	B4	C	C2	ØD	H	H1
351-R	[0.75]	[1.50]	[0.50]	[3.06]	[1.37]	[1.93]	[1.70]	[0.75]	[0.12]	[0.22]	[1.85]	[1.34]
351-RSS	19,1	38,1	12,7	77,7	34,8	49,1	19,1	19,1	3,1	5,5	47,1	33,9
371-R	[1.25]	[1.94]	[0.34]	[4.73]	[1.94]	[2.63]	[2.25]	[1.42]	[0.16]	[0.34]	[2.65]	[2.22]
371-RSS	31,8	49,2	8,7	120,1	49,2	66,7	57,2	36,1	4	8,7	67,4	56,3

Model	L	L1	M	S
351-R	[9.45]	[2.13]	M8	[4.33]
351-RSS	240	54,2	M8	110
371-R	[12.74]	[2.81]	M10	[5.59]
371-RSS	323,6	71,4	M10	142



For added convenience, DESTACO Pull Action Toggle Clamps are supplied with a thumb control lever.

Replacement Thumb Control Lever	Used on Clamp Model
330-ZB1	330
351-ZB1	351, 351-B, 351-R, 351-SS, 351-RSS
371-ZB1	371, 371-R, 371-SS, 381-RSS
381-ZB1	381, 381-SS

### Model 351-R, 351-RSS, 371-R, 371-RSS

#### Information concerning the assembly and function of the clamps locking mechanism

The locking plate which is supplied with the unit must be fastened with a screw (M6 or 1/4-20) as shown in this illustration. The screw head should be flat.

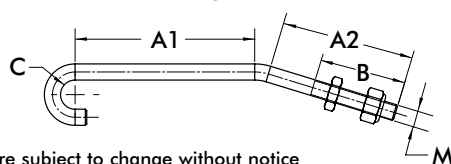
#### Function

When closing the latch clamp, the locking lever engages automatically. Actuate the locking lever to open the clamp.

# 330, 351, 371, 381 SERIES

## Pull Action Latch Clamps | Replacement Hook Assembly Dimensions

Replacement Hook Assembly	Used on Clamp Model	A1	A2	B	ØC	M	Material				
330215	330	[2.00] 50,8	[1.50] 38,1	[0.75] 19,1	[0.32] 8,1	M5 x 0.8	Steel				
330215-M-25 ⓘ	330-M-25	[3.00] 76,2									
330215-M-50 ⓘ	330-M-50	[4.00] 101,6									
330215-M-100 ⓘ	330-M-100	[6.00] 152,4									
330915	330-SS	[2.00] 50,8					[3.38] 85,9	[1.63] 41,4	[0.38] 9,6	M8 x 1.25	Stainless Steel
330915-M-25 ⓘ	330-SS-M-25	[3.00] 76,2									
330915-M-50 ⓘ	330-SS-M-50	[4.00] 101,6									
330915-M-100 ⓘ	330-SS-M-100	[6.00] 152,4									
351215	351, 351-B, 351-R	[2.09] 53,1	[4.16] 105,7	[2.22] 56,4	[0.50] 12,7	M10 x 1.50	Steel				
351215-M-25 ⓘ	351-M-25 351-B-M-25 351-R-M-25	[3.09] 78,5									
351215-M-50 ⓘ	351-M-50 351-B-M-50 351-R-M-50	[4.09] 103,9									
351215-M-100 ⓘ	351-M-100 351-B-M-100 351-R-M-100	[6.09] 154,7									
351915	351-SS, 351-RSS	[2.09] 53,1					[3.94] 100	[4.94] 125,5	[6.94] 176,3	M12 x 1.75	Stainless Steel
351915-M-25 ⓘ	351-SS-M-25 351-RSS-M-25	[3.09] 78,5									
351915-M-50 ⓘ	351-SS-M-50 351-RSS-M-50	[4.09] 103,9									
351915-M-100 ⓘ	351-SS-M-100 351-RSS-M-100	[6.09] 154,7									
371215	371, 371-R	[2.94] 74,7	[4.63] 117,6	[2.50] 63,5	[0.62] 15,8	M12 x 1.75	Steel				
371215-M-25 ⓘ	371-M-25 371-R-M-25	[3.94] 100									
371215-M-50 ⓘ	371-M-50 371-R-M-50	[4.94] 125,5									
371215-M-100 ⓘ	371-M-100 371-R-M-100	[6.94] 176,3									
371915	371-SS, 371-RSS	[2.94] 74,7					[3.94] 100	[4.94] 125,5	[6.94] 176,3	M10 x 1.50	Stainless Steel
371915-M-25 ⓘ	371-SS-M-25, 371-RSS-M-25	[3.94] 100									
371915-M-50 ⓘ	371-SS-M-50 371-RSS-M-50	[4.94] 125,5									
371915-M-100 ⓘ	371-SS-M-100 371-RSS-M-100	[6.94] 176,3									
381215	381	[3.00] 76,2	[4.63] 117,6	[2.50] 63,5	[0.62] 15,8	M12 x 1.75	Steel				
381215-M-25 ⓘ	381-M-25	[4.00] 101,6									
381215-M-50 ⓘ	381-M-50	[5.00] 127									
381215-M-100 ⓘ	381-M-100	[7.00] 177,8									
381915	381-SS	[3.00] 76,2					[3.94] 100	[4.94] 125,5	[6.94] 176,3	M10 x 1.50	Stainless Steel
381915-M-25 ⓘ	381-SS-M-25	[4.00] 101,6									
381915-M-50 ⓘ	381-SS-M-50	[5.00] 127									
381915-M-100 ⓘ	381-SS-M-100	[7.00] 177,8									



# 323, 331, 341 SERIES

## Pull Action Latch Clamps | Product Overview

### Features:

- U-hook style latch clamps are supplied with threaded U-hooks for easy adjustment
- Supplied with latch plate and patented thumb control lever for one handed operation
- DESTACO® Toggle Lock Plus™ versions available
- Stainless steel version available as **-SS** models

### Applications:

- Molding
- Closures for doors, lids, covers
- Assembly

### Also Available:

- Clamps with longer hooks available Upon Request that are 25mm, 50mm, 100mm longer than standard length
- To order clamp with longer hook, add **-M-25**, **-M-50**, or **-M-100** to the end of the model. Example: 323-**M-50**

Covered under one or more U.S./International Patents

323  
323-**SS**



323-**R**  
323-**RSS**  
with DESTACO®  
Toggle Lock  
Plus™



331  
331-**SS**



331-**R**  
331-**RSS**  
with  
DESTACO®  
Toggle Lock  
Plus™



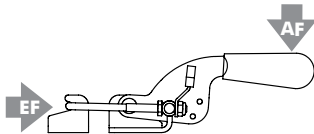
341  
341-**SS**



341-**R**  
341-**RSS**  
with DESTACO®  
Toggle Lock  
Plus™



## Technical Information | Holding Capacities



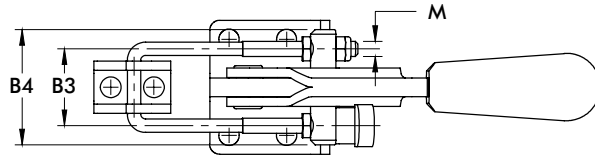
Model	Max. Holding Capacity	Weight	EF:AF	Drawing Movement	Latch Plate (Supplied)	Replacement Hook Assembly	Hook Adj. Range
323				30 [1.18]	323104-M	323215	
323-SS	1600 N [360 lbf]	0,07kg [0.15lb]	27:1		323104-MSS	323915	[0.36] 9,1
323-R				29,7 [1.17]	323104-M	323215	
323-RSS					323104-MSS	323915	
331					331005	331215	
331-SS	3200 N [720 lbf]	0,25kg [0.56lb]	32:1	44,5 [1.75]	331905	331915	[0.87] 22,1
331-R					331005	331215	
331-RSS					331905	331915	
341					341005	341215	
341-SS	8900 N [2000 lbf]	0,65kg [1.43lb]	29:1	63,5 [2.50]	341905	341915	[0.97] 24,6
341-R					341005	341215	
341-RSS					341905	341915	

EF = Exerting Force, AF = Applied Force

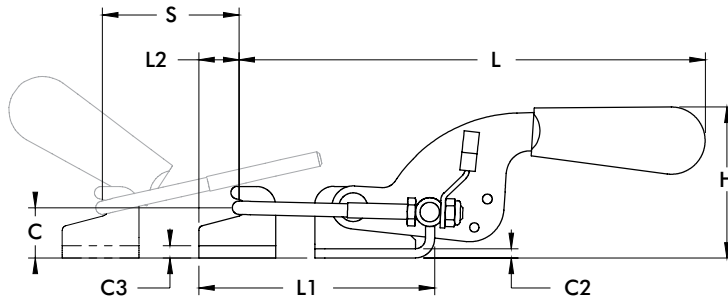
# 323, 323-R, 331, 341 SERIES

Pull Action Latch Clamps | Dimensions | -R/-RSS

323  
323-SS



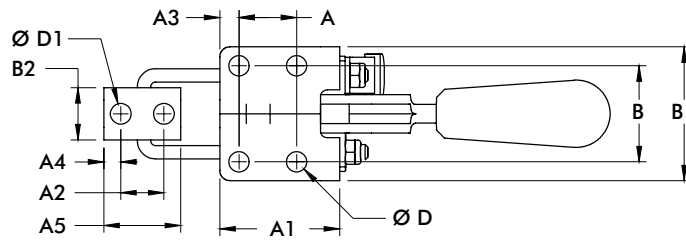
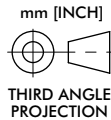
323-R  
323-RSS  
with DESTACO®  
Toggle Lock  
Plus™



331  
331-SS



341  
341-SS



Model	A	A1	A2	A3	A4	A5	B	B1	B2	B3	B4	C	C2
323													
323-SS	[0.63]	[1.02]	[0.39]	[0.20]	[0.24]	[0.79]	[0.75]	[1.10]	[0.52]	[0.75]	[1.10]	[0.47]	[0.08]
323-R	16	26	10	5	6	20	19	28	13,2	19,1	28	12	2
323-RSS													
331	[0.75]	[1.56]	[0.56]	[0.25]	[0.22]	[1.00]	[1.26]	[1.74]	[0.68]	[1.00]	[1.50]	[0.66]	[0.12]
331-SS	19,1	39,7	14,3	6,4	5,6	25,4	32	44,3	17,3	25,4	38,1	16,7	3,1
341	[1.63]	[2.38]	[0.75]	[0.38]	[0.38]	[1.50]	[1.50]	[2.12]	[1.19]	[1.75]	[2.38]	[0.94]	[0.16]
341-SS	41,3	60,5	19,1	9,7	9,5	38,1	38,1	53,8	30,1	44,5	60,5	23,8	4

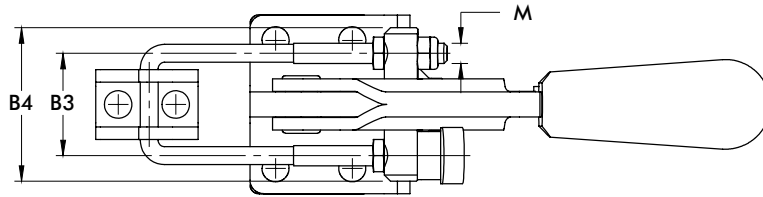
Model	C3	ØD	ØD2	H	L	L1 MAX	L2	M	S
323									
323-SS	[0.08]	[0.17]	[0.17]	[1.19]	[3.88]	[2.32]	[0.37]	M4	[1.18]
323-R	2	4,2	4,2	30,3	98,6	58,9	9,3		30
323-RSS									
331	[0.12]	[0.27]	[0.27]	[1.97]	[6.07]	[3.07]	[0.52]	M5	[1.75]
331-SS	3,1	6,7	6,9	50	154,2	78	13,3		45,5
341	[0.16]	[0.33]	[0.33]	[2.89]	[8.20]	[4.59]	[0.75]	M8	[2.50]
341-SS	4	8,5	8,5	73,4	208,3	116,6	19,1		63,5



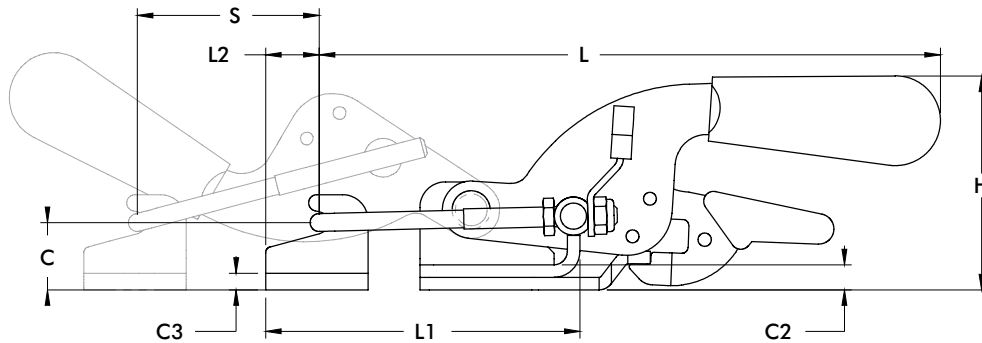
# 331-R, 341-R SERIES

Pull Action Latch Clamps | Dimensions | -R/-RSS

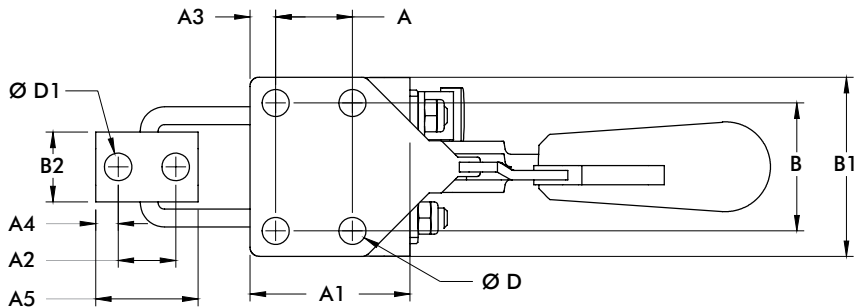
**331-R**  
**331-RSS**  
 with DESTACO®  
 Toggle Lock  
 Plus™



**341-R**  
**341-RSS**  
 with DESTACO®  
 Toggle Lock  
 Plus™



mm [INCH]  
 THIRD ANGLE  
 PROJECTION



Model	A	A1	A2	A3	A4	A5	B	B1	B2	B3	B4	C	C2
331-R	[0.75]	[1.56]	[0.56]	[0.25]	[0.22]	[1.00]	[1.25]	[1.74]	[0.68]	[1.00]	[1.50]	[0.66]	[0.12]
331-RSS	19,1	39,7	14,3	6,4	5,6	25,4	31,8	44,3	17,3	25,4	38,1	16,7	3,1
341-R	[1.63]	[2.38]	[0.75]	[0.38]	[0.38]	[1.50]	[1.50]	[2.12]	[1.19]	[1.75]	[2.38]	[0.94]	[0.16]
341-RSS	41,3	60,5	19,1	9,7	9,5	38,1	38,1	53,8	30,1	44,5	60,5	23,8	4

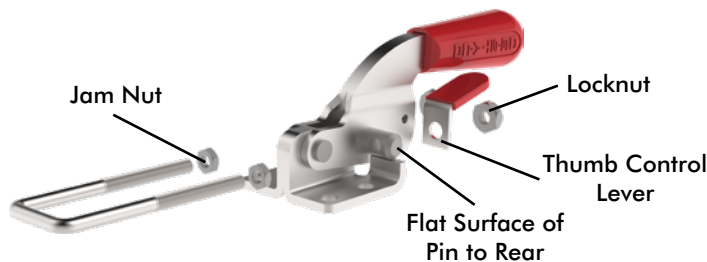
Model	C3	ØD	ØD2	H	L	L1 MAX	L2	M	S
331-R	[0.12]	[0.27]	[0.27]	[2.01]	[6.07]	[3.07]	[0.52]	M5	[1.75]
331-RSS	3,1	6,7	6,9	53,1	154,2	78	13,3		45,5
341-R	[0.16]	[0.33]	[0.33]	[2.89]	[8.20]	[5.24]	[0.77]	M8	[2.50]
341-RSS	4	8,5	8,5	73,4	208,3	133,2	19,4		63,5

# 323, 331, 341 SERIES

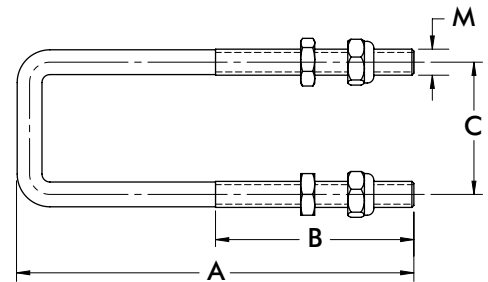
## Pull Action Latch Clamps | Replacement Hook Assembly | Dimensions

Replacement Hook Assembly	Used on Clamp Model	A	B	C	M	Material
323215	323, 323-R	[2.12] 53,8	[0.94] 23,8	[0.75] 19,1	M4 x 0.7	Steel
323215-M-25 ⓘ	323-M-25, 323-R-M-25	[3.12] 79,2				
323215-M-50 ⓘ	323-M-50, 323-R-M-50	[4.12] 104,6				
323215-M-100 ⓘ	323-M-100, 323-R-M-100	[6.12] 155,4				
323915	323-SS, 323-RSS	[2.12] 53,8				Stainless Steel
323915-M-25 ⓘ	323-SS-M-25, 323-RSS-M-25	[3.12] 79,2				
323915-M-50 ⓘ	323-SS-M-50, 323-RSS-M-50	[4.12] 104,6				
323915-M-100 ⓘ	323-SS-M-100, 323-RSS-M-100	[6.12] 155,4				
331215	331, 331-R	[3.00] 76,2	[1.50] 38,1	[1.00] 25,4	M5 x 0.8	Steel
331215-M-25 ⓘ	331-M-25, 331-R-M-25	[4.00] 101,6				
331215-M-50 ⓘ	331-M-50, 331-R-M-50	[5.00] 127				
331215-M-100 ⓘ	331-M-100, 331-R-M-100	[7.00] 177,8				
331915	331-SS, 331-RSS	[3.00] 76,2				Stainless Steel
331915-M-25 ⓘ	331-SS-M-25, 331-RSS-M-25	[4.00] 101,6				
331915-M-50 ⓘ	331-SS-M-50, 331-RSS-M-50	[5.00] 127				
331915-M-100 ⓘ	331-SS-M-100, 331-RSS-M-100	[7.00] 177,8				
341215	341, 341-R	[4.31] 109,5	[1.97] 50	[1.75] 44,5	M8 x 1.25	Steel
341215-M-25 ⓘ	341-M-25, 341-R-M-25	[5.31] 135				
341215-M-50 ⓘ	341-M-50, 341-R-M-50	[6.31] 160,2				
341215-M-100 ⓘ	341-M-100, 341-R-M-100	[8.31] 211				
341915	341-SS, 341-RSS	[4.31] 109,5				Stainless Steel
341915-M-25 ⓘ	341-SS-M-25, 341-RSS-M-25	[5.31] 135				
341915-M-50 ⓘ	341-SS-M-50, 341-RSS-M-50	[6.31] 160,2				
341915-M-100 ⓘ	341-SS-M-100, 341-RSS-M-100	[8.31] 211				

ⓘ This item is available upon request.



For added convenience, DESTACO Pull Action Toggle Clamps are supplied with a thumb control lever that allows the clamp to be operated with one hand.



Replacement Thumb Control Lever	Used on Clamp Model
324-ZB1	323, 323-SS
330-ZB1	331, 331-SS 331-R, 331-RSS
341-ZB1	341, 341-SS 341-R, 341-RSS

# 375 SERIES

## Pull Action Latch Clamps | Dimensions

### Features:

- Heavy duty U-hook style latch clamps are supplied with threaded U-hooks for easy adjustment
- Supplied patented thumb control lever for one handed operation
- DESTACO® Toggle Lock Plus™ versions available

### Applications:

- Molding
- Closures for doors, lids, covers
- Assembly

### Also Available:

- Clamps with longer hooks available Upon Request that are 25mm, 50mm, 100mm longer than standard length
- To order clamp with longer hook, add **-M-25**, **-M-50**, or **-M-100** to the end of the model. Example: 375-**M-50**

Covered under one or more U.S./International Patents

375



**375-R**  
with DESTACO®  
Toggle Lock  
Plus™



**375-B**

Weld-on  
Mounting



**375-BR** ⓘ

Weld-on  
Mounting  
with DESTACO®  
Toggle Lock  
Plus™



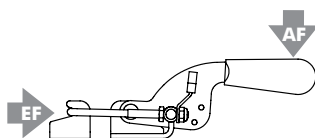
375509  
Cleat



385102  
Optional  
Latch Plate  
for 375 and  
375-R



## Technical Information | Holding Capacities



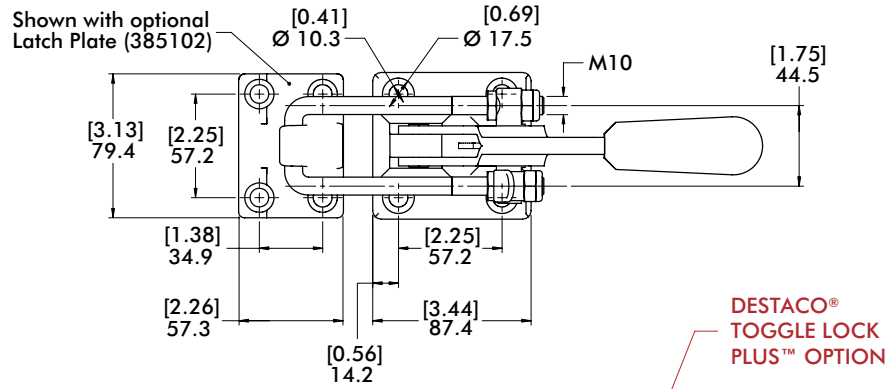
Model	Max. Holding Capacity	Weight	EF:AF	Drawing Movement	Latch Plate	Replacement Hook Assembly	Hook Adj. Range
375	[4000 lbf] 17800 N	[2.94lb] 1,33kg	44:1	88,9 [3.50]	385102 (Optional)	375215	[0.81] 20,5
375-R		[3.0lb] 1,36kg					
375-B		[2.56lb] 1,16kg			375509 (Cleat Supplied)		
375-BR ⓘ		[2.62lb] 1,19kg					

ⓘ This item is available upon request. **EF** = Exerting Force, **AF** = Applied Force

# 375, 375-R, 5-B, 375-BR SERIES

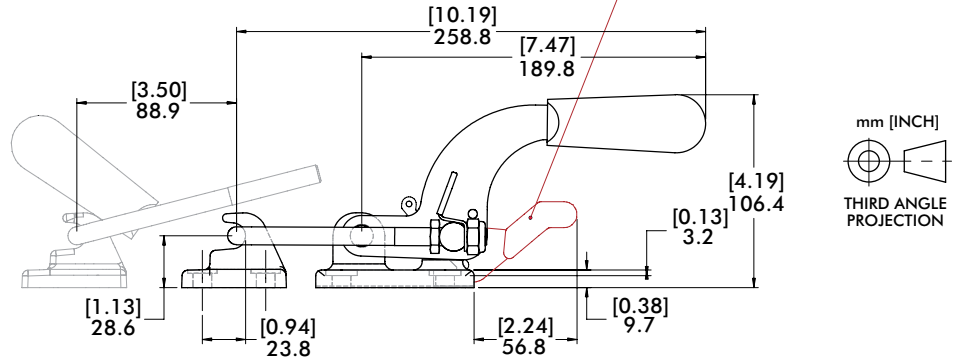
## Pull Action Latch Clamps | Dimensions

375



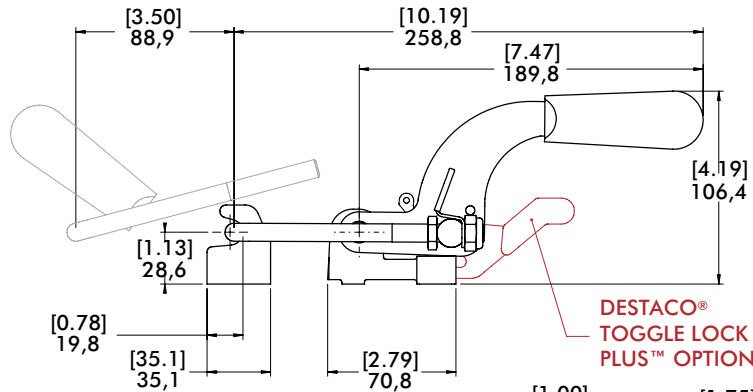
375-R

with DESTACO® Toggle Lock Plus™



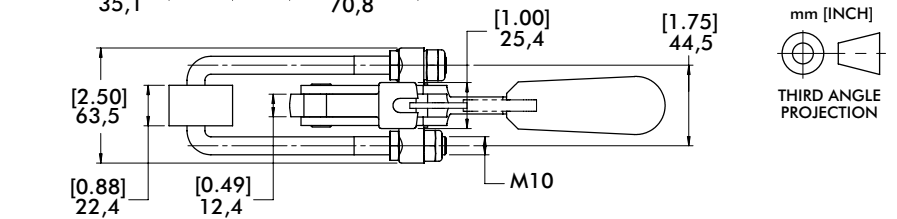
375-B

Weld-on Mounting



375-BR

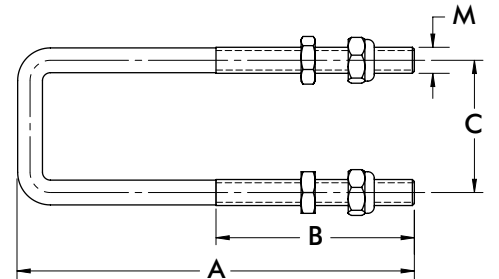
Weld-on Mounting with DESTACO® Toggle Lock Plus™



Replacement Hook Assembly	A	B	C	M
375215	[5.72] 145	50,8 [2.00]	[1.75] 44,5	M10 x 1.50

Hook assembly includes (2) jam nuts and (2) locknuts. Longer hook lengths available Upon Request. 375215-M-25, 375215-M-50, 375215-M-100

Replacement Thumb Control Lever	Used on Clamp Model
375-ZB1	375, 375-B 375-R, 375-BR



# 385 SERIES

## Pull Action Latch Clamps | Dimensions

### Features:

- Heavy duty U-hook style latch clamps are supplied with threaded U-hooks for easy adjustment
- Supplied with patented thumb control lever for one handed operation
- DESTACO® Toggle Lock Plus™ versions available

### Applications:

- Molding
- Closures for doors, lids, covers
- Assembly

### Also Available:

- Clamps with longer hooks available Upon Request that are 25mm, 50mm, 100mm longer than standard length
- To order clamp with longer hook, add **-M-25**, **-M-50**, or **-M-100** to the end of the model. Example: 385-**M-50**

Covered under one or more U.S./International Patents

**385**  
**385-SS**



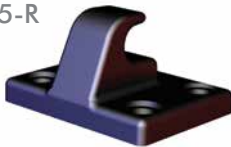
**385-R**  
**385-RSS**  
with DESTACO®  
Toggle Lock  
Plus™



**385-L**  
Low Profile  
Handle



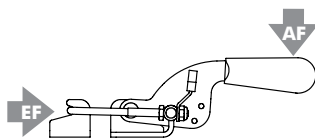
**385102**  
Optional  
Latch Plate  
for 385, 385-R  
and 385-L



**385902**  
Optional Stainless  
Latch Plate for  
385-SS and  
385-RSS



## Technical Information | Holding Capacities



Model	Max. Holding Capacity	Weight	EF:AF	Drawing Movement	Latch Plate/Cleat (Optional)	Replacement Hook Assembly	Hook Adj. Range
385		[3.3lb] 1,50kg					
385-SS					385102	385215	
385-R	[7500 lbf] 33300 N	[3.4lb] 1,54kg	44:1	55,6 [2.19]	385902 (Stainless Steel)	385915 (Stainless Steel)	[1.36] 34,5
385-L		[3.3lb] 1,50kg					

ⓘ This item is available upon request. **EF** = Exerting Force, **AF** = Applied Force

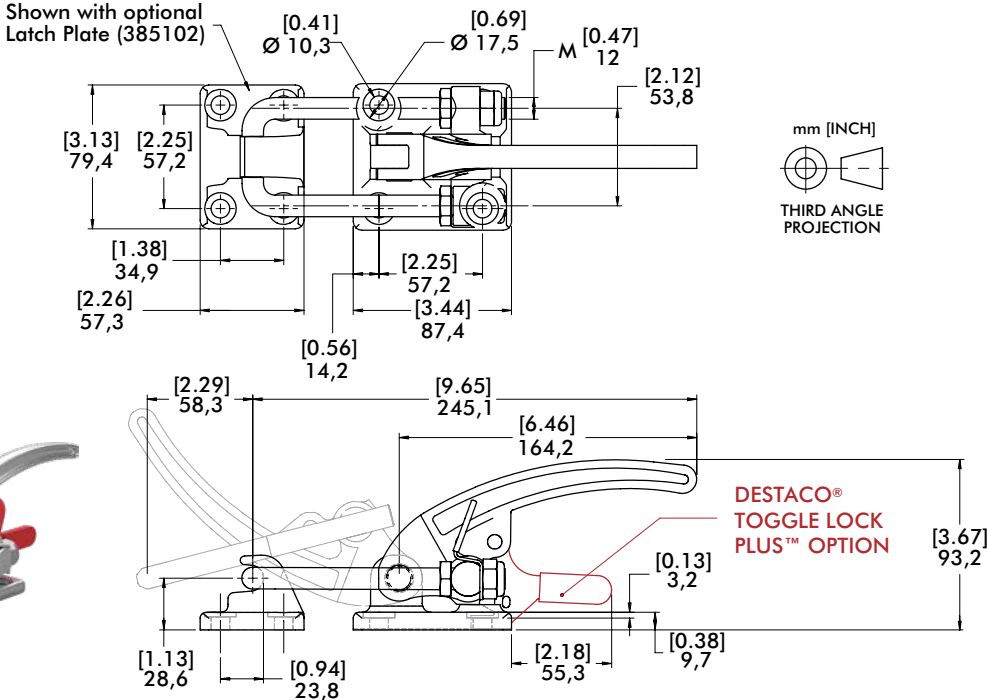
# 385, 385-R, 385-L SERIES

## Pull Action Latch Clamps | Dimensions

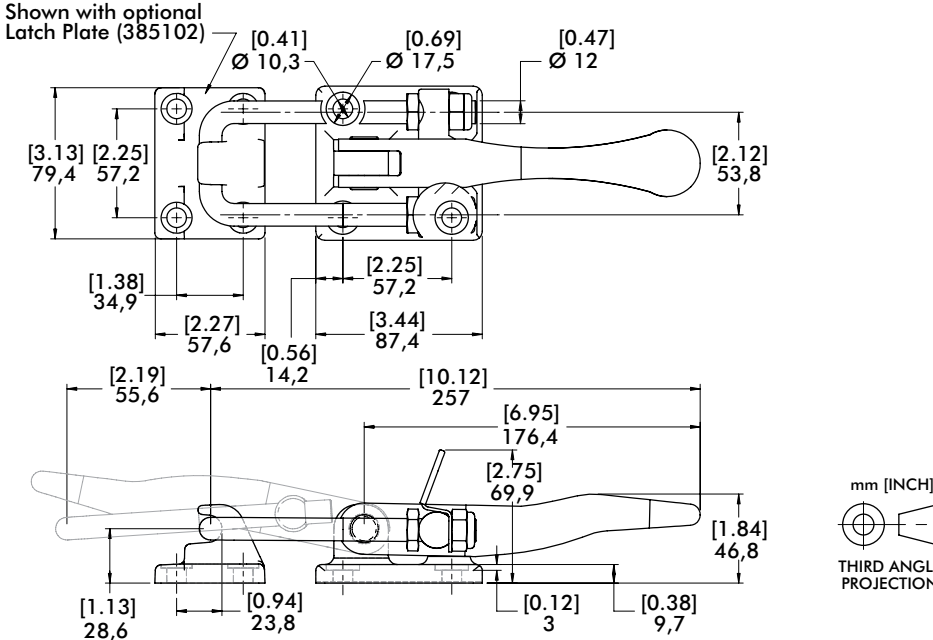
**385**  
**385-SS**



**385-R**  
**385-RSS**  
with DESTACO®  
Toggle Lock  
Plus™



**385-L**  
Low Profile  
Handle



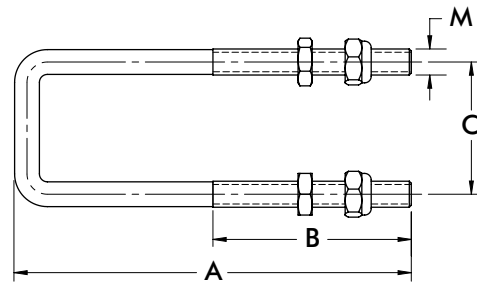
# 385, 385-R, 385-L SERIES

Pull Action Latch Clamps | Replacement Hook Assembly | Dimensions

Replacement Hook Assembly	Used on Clamp Model	A	B	C	M	Material
385215	385, 385-R, 385-L	[5.72] 145,3			M12 x 1.75	Steel
385215-M-25 ⓘ	385-M-25, 385-R-M-25 385-L-M-25	[6.72] 170,7				
385215-M-50 ⓘ	385-M-50, 385-R-M-50 385-L-M-50	[7.72] 196				
385215-M-100 ⓘ	385-M-100, 385-R-M-100 385-L-M-100	[9.72] 247				
385915	385-SS, 385-RSS	[5.72] 145,3	[2.75] 70	[2.12] 53,8	Stainless Steel	
385915-M-25 ⓘ	385-SS-M-25, 385-RSS-M-25	[6.72] 170,7				
385915-M-50 ⓘ	385-SS-M-50, 385-RSS-M-50	[7.72] 196				
385915-M-100 ⓘ	385-SS-M-100, 385-RSS-M-100	[9.72] 247				

ⓘ This item is available upon request.

Replacement Thumb Control Lever	Used on Clamp Model
385-ZB1	385, 385-R, 385-L, 385-SS, 385-RSS



# 324, 334, 344, 374 SERIES

## Pull Action Latch Clamps | Product Overview

### Features:

- U-hook style latch clamps supplied with threaded U-hooks for easy adjustment
- Supplied with latch plate (except 374) and patented thumb control lever for one handed operation.
- DESTACO® Toggle Lock Plus™ versions available
- Stainless steel available as **-SS** models.

Covered under one or more U.S./International Patents

### Applications:

- Molding
- Closures for doors, lids, covers
- Assembly

### Also Available:

- Clamps with longer hooks available Upon Request that are 25mm, 50mm, 100mm longer than standard length
- To order clamp with longer hook, add **-M-25**, **-M-50**, or **-M-100** to the end of the model. Example: 324-**M-50**

324  
324-SS



324-R  
324-RSS  
with DESTACO®  
Toggle Lock  
Plus™



334  
334-SS



334-R  
334-RSS  
with DESTACO®  
Toggle Lock  
Plus™



344  
344-SS



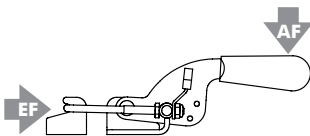
344-R  
344-RSS  
with DESTACO®  
Toggle Lock  
Plus™



374



## Technical Information | Holding Capacities



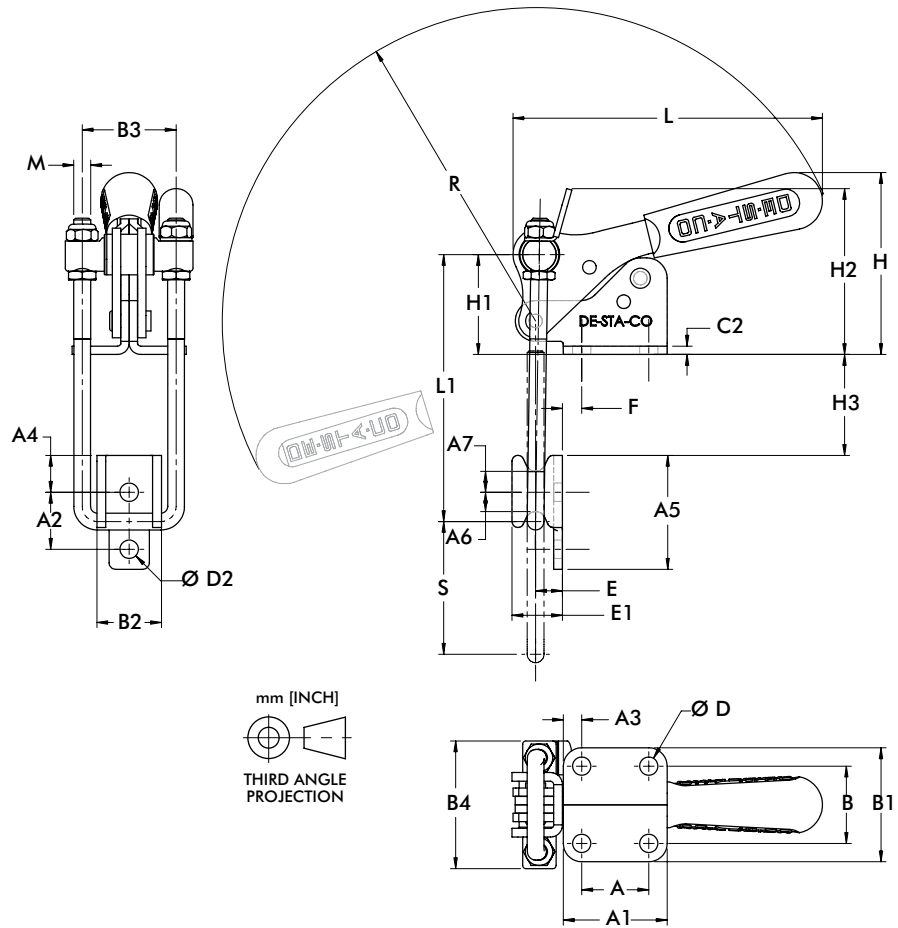
Model	Max. Holding Capacity	Weight	EF:AF	(S) Drawing Movement	Latch Plate (Supplied)	Replacement Hook Assembly	Hook Adj. Range
324					324101	324215	
324-SS	[500 lbf] 2200 N	[0.25lb] 0,11kg		38,7 [1.53]	324901	324915	11.9 [0.47]
324-R			31:1		324101	324215	
324-RSS					324901	324915	
334					334101	334215	
334-SS	[1000 lbf] 4450 N	[0.60lb] 0,27kg		51,7 [2.04]	334901	334915	19.3 [0.76]
334-R					334101	334215	
334-RSS					334901	334915	
344					344101	344215	
344-SS	[2000 lbf] 8900 N	[1.50lb] 0,68kg	45:1	62,4 [2.46]	344901	344915	31 [1.22]
344-R					344101	344215	
344-RSS					344901	344915	
374	[4000 lbf] 17800 N	[2.10lb] 0,95kg	36:1	44,5 [1.75]	None*	374215	53.8 [2.12]

EF = Exerting Force, AF = Applied Force \*375509 Latch Plate may be used as an alternate.



# 324, 334, 344, 374 SERIES

Pull Action Latch Clamps | Dimensions | -SS

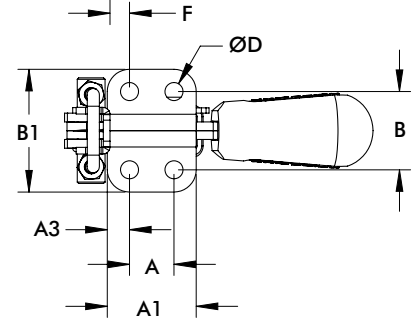
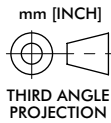
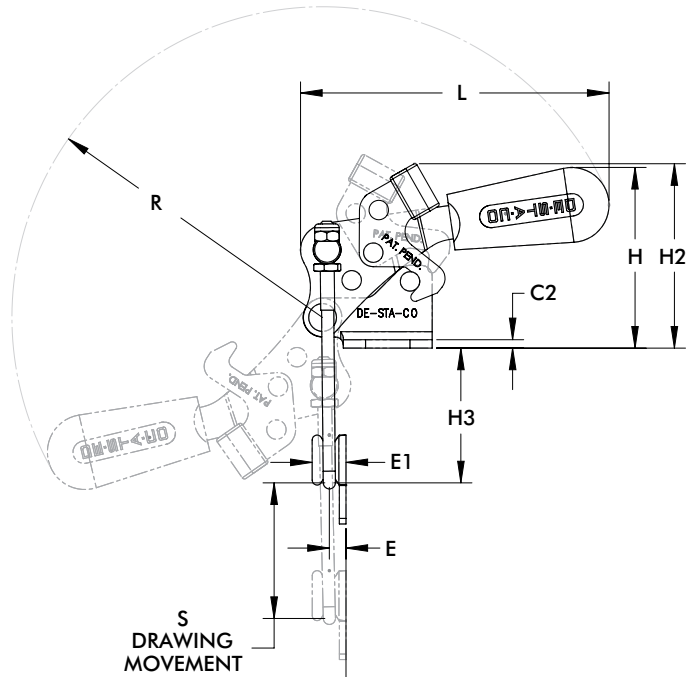
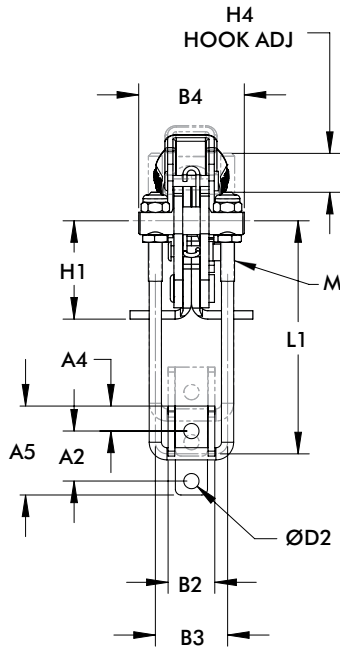


Model	A	A1	A2	A3	A4	A5	A6	A7	B	B1	B2	B3	B4	C2
324	[0.50]	[1.00]	[0.56]	[0.25]	[0.28]	[1.00]	[0.19]	[0.19]	[0.88]	[1.38]	[0.53]	[0.81]	[1.19]	[0.09]
324-SS	12,7	25,4	14,2	6,4	7,1	25,4	4,8	4,8	22,4	35,1	13,5	20,7	30,2	2,4
334	[0.75]	[1.31]	[0.81]	[0.28]	[0.41]	[1.50]	[0.28]	[0.28]	[1.00]	[1.56]	[0.68]	[1.13]	[1.63]	[0.12]
334-SS	19,1	33,3	20,6	7,1	10,4	38,1	7,1	7,1	25,4	39,6	17,4	28,7	41,4	3,1
344	[1.25]	[1.94]	[1.06]	[0.35]	[0.69]	[2.13]	[0.36]	[0.39]	[1.44]	[2.12]	[1.20]	[1.75]	[2.38]	[0.16]
344-SS	31,8	49,3	27	8,0	17,5	54	9,1	9,9	36,6	53,8	30,6	44,5	60,5	4
374	[2.43]	[2.43]	--	[0.68]	--	--	--	--	[1.50]	[2.50]	--	[1.75]	[2.36]	[0.37]
	61,7	61,7	--	17,3	--	--	--	--	38,1	63,5	--	44,5	60	9,4

Model	ØD	ØD2	F	H	H1	H2	H3	E	E1	L	L1 MAX	R	M	S
324	[0.20]	[0.17]	[0.25]	[1.91]	[1.10]	[1.97]	[0.92]	[0.19]	[0.38]	[3.49]	[2.56]	[3.49]	M4	[1.53]
324-SS	5,1	4,3	6,4	48,5	28	50,1	[23,4]	4,4	9,7	88,7	65,1	88,8	M4	38,7
334	[0.28]	[0.22]	[0.28]	[2.37]	[1.55]	[2.68]	[1.34]	[0.35]	[0.63]	[4.10]	[3.70]	[4.12]	M6	[2.04]
334-SS	7,1	5,6	7,1	60,1	39,3	68	34	8,8	16	104,2	94	104,5	M6	51,8
344	[0.34]	[0.34]	[0.35]	[3.39]	[1.86]	[7.09]	[1.73]	[0.50]	[0.94]	[5.77]	[5.00]	[5.84]	M8	[2.46]
344-SS	8,6	8,6	8,9	86,1	47,3	78,6	49,1	12,7	23,8	146,6	126,9	148,4	M8	62,4
374	[0.41]	--	--	[2.38]	[1.43]	--	--	--	--	[6.60]	[6.04]	[6.04]	M10	[1,75]
	10,3	--	--	60,5	36,3	--	--	--	--	167,8	153,5	153,5	M10	44,5

# 324-R, 334-R, 344-R SERIES

Pull Action Latch Clamps | Dimensions | -R/-RSS



Model	A	A1	A2	A3	A4	A5	B	B1	B2	B3	B4	C2	D
324-R	[.50]	[1.00]	[.56]	[.25]	[.28]	[1.00]	[0.88]	[1.38]	[.52]	[0.81]	[0.44]	[0.09]	[0.20]
324-RSS	12,7	25,4	14,3	6,4	7,1	25,4	22,4	35,1	13,3	20,6	11,1	2,4	5,2
334-R	[.75]	[1.38]	[.81]	[.27]	[.41]	[2.13]	[1.00]	[1.56]	[0.68]	[1.13]	[1.63]	[0.12]	[0.28]
334-RSS	19,1	34,9	20,6	7,0	10,3	54,0	25,4	39,6	17,3	28,6	41,3	3,1	7,1
344-R	[1.25]	[1.94]	[1.06]	[.34]	[0.69]	[2.13]	[1.44]	[2.13]	[1.21]	[1.75]	[2.38]	[0.16]	[0.34]
344-RSS	31,8	49,1	27,0	8,7	17,5	54	36,6	54	30,6	44,5	60,5	4	8,6

Model	D2	E	E1	F	H	H1	H2	H3	H4	L	L1	M	S	R
324-R	[0.17]	[0.20]	[0.17]	[0.22]	[2.03]	[1.11]	[2.07]	[1.52]	[.44]	[3.47]	[2.62]	M4	[1.53]	[3.49]
324-RSS	4,4	5,2	4,4	5,6	51,6	28,1	52,7	38,5	11,1	88,1	66,6	M4	38,7	88,8
334-R	[0.22]	[0.35]	[0.63]	[0.18]	[2.37]	[1.55]	[2.55]	[2.22]	[0.86]	[4.12]	[3.76]	M6	[2.04]	[4.10]
334-RSS	5,6	8,8	15,9	4,5	60,2	39,3	64,7	56,3	21,8	104,6	95,6	M6	51,7	104,2
344-R	[0.34]	[0.50]	[0.94]	[0.36]	[3.40]	[1.86]	[3.39]	[3.17]	[1.22]	[5.77]	[5.04]	M8	[2.46]	[5.90]
344-RSS	8,7	12,7	23,9	9,1	86,5	47,3	86,0	80,8	31	146,5	128,0	M8	62,4	150

# 324, 334, 344, 374 SERIES

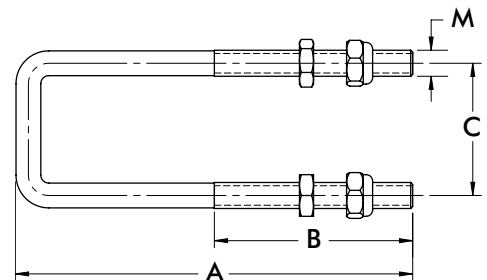
Pull Action Latch Clamps | Replacement Hook Assembly | Dimensions

Replacement Hook Assembly	Used on Clamp Model	A	B	C	M	Material
324215	324, 324-R	[3.00] 76	[1.00] 25,4	[0.81] 20,6	M4X0.7	Steel
324215-M-25 ⓘ	324-M-25 324-R-M-25	[4.00] 101,6				
324215-M-50 ⓘ	324-M-50 324-R-M-50	[5.00] 127				
324215-M-100 ⓘ	324-M-100 324-R-M-100	[7.00] 178				
324915	324-SS, 324-RSS	[3.00] 76	[1.50] 38,1	[1.13] 28,7	M6X1.0	Stainless Steel
324915-M-25 ⓘ	324-SS-M-25	[4.00] 101,6				
324915-M-50 ⓘ	324-SS-M-50	[5.00] 127				
324915-M-100 ⓘ	324-SS-M-100	[7.00] 178				
334215	334, 334-R	[4.31] 109,5	[2.25] 57,2	[1.75] 44,5	M8X1.25	Steel
334215-M-25 ⓘ	334-M-25 334-R-M-25	[5.31] 135				
334215-M-50 ⓘ	334-M-50 334-R-M-50	[6.31] 160,3				
334215-M-100 ⓘ	334-M-100 334-R-M-100	[8.31] 211				
334915	334-SS, 334-RSS	[4.31] 109,5	[3.25] 82,6		M10X1.50	Steel
334915-M-25 ⓘ	334-SS-M-25	[5.31] 135				
334915-M-50 ⓘ	334-SS-M-50	[6.31] 160,3				
334915-M-100 ⓘ	334-SS-M-100	[8.31] 211				
344215	344, 344-R	[5.81] 147,5				Stainless Steel
344215-M-25 ⓘ	344-M-25 344-R-M-25	[6.81] 173				
344215-M-50 ⓘ	344-M-50 344-R-M-50	[7.81] 198,5				
344215-M-100 ⓘ	344-M-100 344-R-M-100	[9.81] 249,2				
344915	344-SS, 344-RSS	[5.81] 147,5				
344915-M-25 ⓘ	344-SS-M-25	[6.81] 173				
344915-M-50 ⓘ	344-SS-M-50	[7.81] 198,5				
344915-M-100 ⓘ	344-SS-M-100	[9.81] 249,2				
374215	374	[6.50] 165				
374215-M-25 ⓘ	374-M-25	[7.50] 190,5				
374215-M-50 ⓘ	374-M-50	[8.50] 216				
374215-M-100 ⓘ	374-M-100	[10.50] 266,5				

Hook assemblies are supplied with (2) jam nuts and (2) locknuts.

ⓘ This item is available upon request.

Replacement Thumb Control Lever	Used on Clamp Model
324-ZB1	324, 324-SS
334-ZB1	334, 334-SS
344-ZB1	344, 344-SS
375-ZB1	374



# 301, 311 SERIES

## Pull Action Latch Clamps | Product Overview

### Features:

- Fixed stop automatically limits handle travel at various clamping positions once the clamp is installed
- Model 301 available in stainless steel as 301-SS

### Applications:

- Molding
- Closures for doors, lids, covers
- Assembly

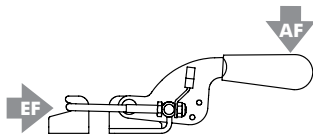
301  
301-SS



311

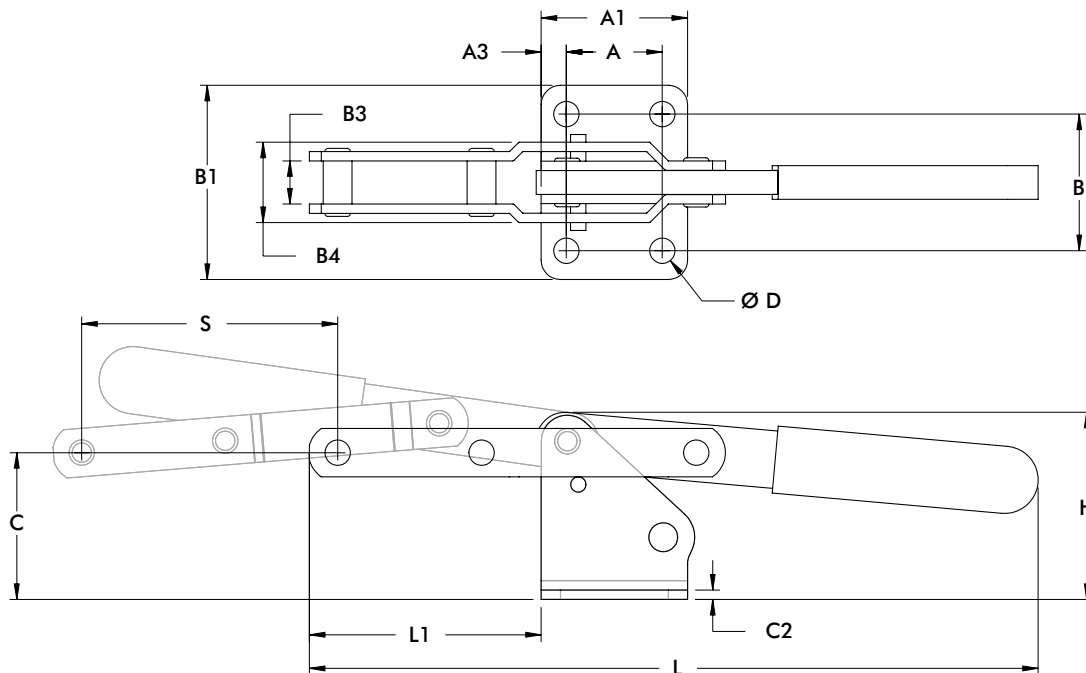


## Technical Information | Holding Capacities | Dimensions



Model	Max. Holding Capacity	Weight	EF:AF	Drawing Movement
301	1670 N [375 lbf]	0,32kg [0.70lb]	29:1	101,6 [4.00]
301-SS	2000 N [450 lbf]			
311	5340 N [1200 lbf]	0,53kg [1.16lb]	31:1	85,9 [3.38]

EF = Exerting Force, AF = Applied Force



mm [INCH]  
THIRD ANGLE PROJECTION

Model	A	A1	A3	B	B1	B3	B4	C	C2	ØD	H	L	L1	S
301	[0.75]	[1.38]	[0.32]	[1.25]	[1.75]	[0.56]	[1.04]	[1.52]	[0.12]	[0.28]	[1.91]	[8.33]	[3.04]	[4.00]
301-SS	19,1	35,1	8	31,8	44,5	14,1	26,4	38,6	3,1	7,1	48,4	211,5	77,1	101,6
311	[1.25]	[1.91]	[0.33]	[1.78]	[2.53]	[0.56]	[1.05]	[1.91]	[0.12]	[0.33]	[2.44]	[9.49]	[3.02]	[3.88]
	31,8	48,4	8,3	45,2	64,3	14,3	26,6	48,6	3,1	8,4	61,9	241,2	76,7	85,9

# 3011 SERIES

## Pull Action Latch Clamps | Product Overview

### Features:

- Heavy duty cast steel or stainless steel construction with ergonomic handle
- Replaceable stainless steel pivot pins

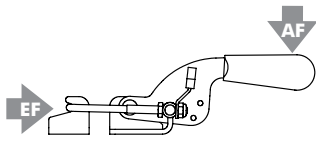
### Applications:

- Molding
- Closures for doors, lids, covers
- Assembly

3011

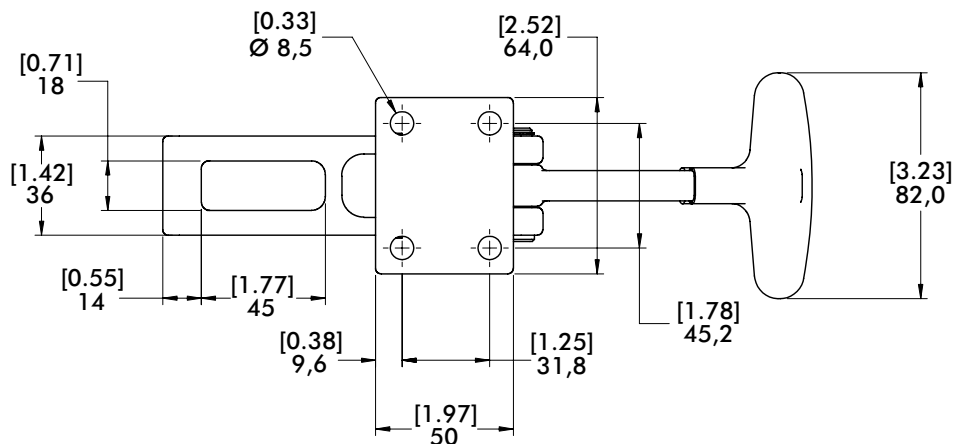
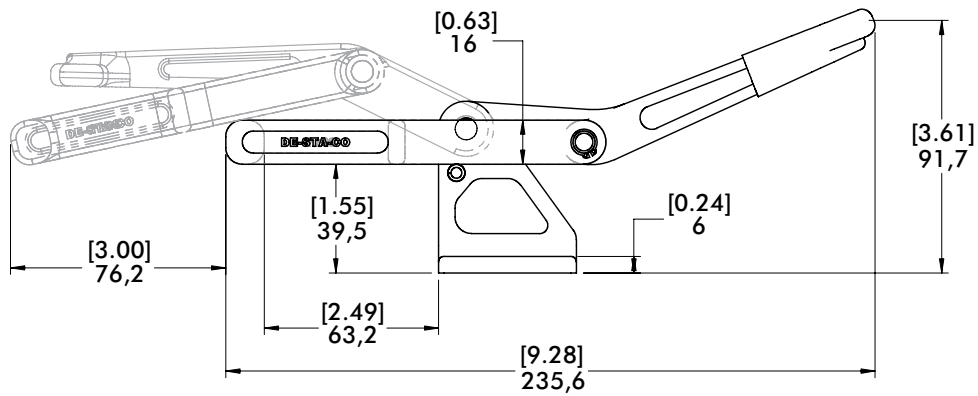


## Technical Information | Holding Capacities | Dimensions



Model	Max. Holding Capacity	Weight	EF:AF	Drawing Movement
3011	8900 N [2000 lbf]	0,91kg [2.00lb]	31:1	76,2 [3.00]

EF = Exerting Force, AF = Applied Force



mm [INCH]  
THIRD ANGLE PROJECTION

# 353 SERIES

## Pull Action Latch Clamps | Dimensions

### Features:

- Heavy duty cast steel clamps are designed to withstand the harshest environments
- Ideally suit for parting line clamping of rotational molds
- Replaceable stainless steel pivot pins

### Applications:

- Molding
- Closures for doors, lids, covers

### Also Available:

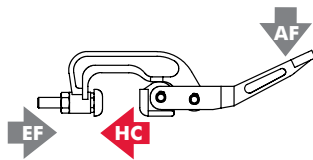
- Keeper plate
- Tapered bolt assembly

353-35

353-65



## Technical Information | Holding Capacities



Model	Max. Holding Capacity	Weight	EF:AF	Drawing Movement	L	K	Keeper Plate (included)	Tapered Bolt Assembly (included)
353-35	[2800 lbf] 12460 N	[2.10lb] 0,95kg	23:1	12 [0.47]	[9.50] 241,5	[1.38] 35	353004	353908
353-65	[2100 lbf] 9350 N	[2.30lb] 1,04kg	27:1		[10.69] 271,5	[2.56] 65	353004	

EF = Exerting Force, AF = Applied Force

