

ECOCUP SERIES

Vacuum Products | Product Overview | Technical Specifications | Dimensions

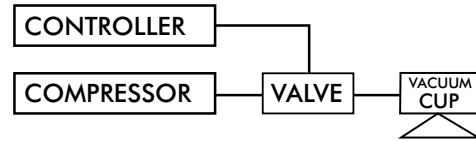
EcoCup™ creates vacuum without AIR!

Great for pick-and-place applications of flat, rigid, non-porous parts including: plastic, glass, solar panels, and electronics, as well as other consumer goods with smooth, flat surfaces.

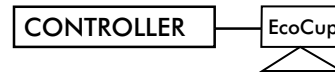
The EcoCup™ features:

- Light-switch operation
- Ultra-fast actuation
- Noise-free operation
- Easy installation and setup
- Reduced maintenance costs
- Easy optional mounting to Scara robots
- Eliminated risk of air-borne contaminants

The **OLD** way
with a Typical Pneumatic Setup



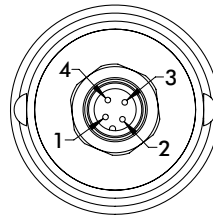
The **NEW** way
Using the new EcoCup™
No fittings, no valves, no hoses, no compressor, and absolutely no AIR!



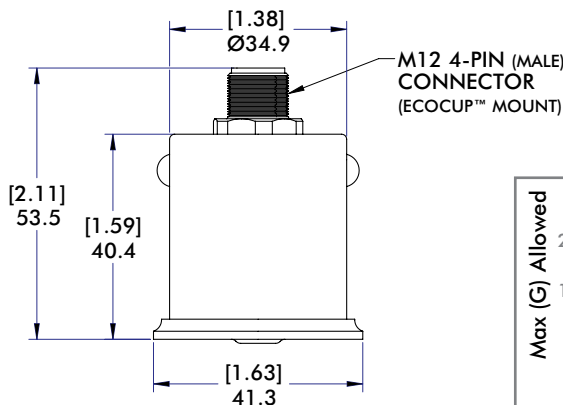
EcoCup™ EC40 Electric Vacuum Cup Assembly



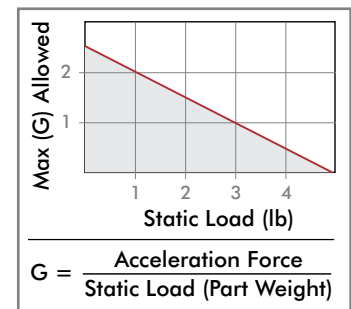
US Patent #9108319



M12 4-PIN (MALE)
CONNECTOR FACE VIEW
1: NOT USED
2: NOT USED
3: -0 VDC
4: +24 VDC



Specifications	VC-EC40-45N
Actuation Time	25 ms
Temperature Range	5° ~ 60°C [41° ~ 140°F]
Duty Cycle	50% (½ On, ½ Off)
Voltage	24 VDC
Current	0.5 Amp
Weight	0.12 kg [0.25 lb]
Cup Material	45 Durometer Nitrile



EcoCup™ EC40 Electric Vacuum Cup - Operation

Holding Capacity	VC-EC40-45N
Recommended Load	<0.45kg [1.0 lb]

Loads from 0.45kg [1.0 lb] up to 1.81kg [4.0 lb] max. may be used with longer movement times. (See chart in drawing area for greater detail).

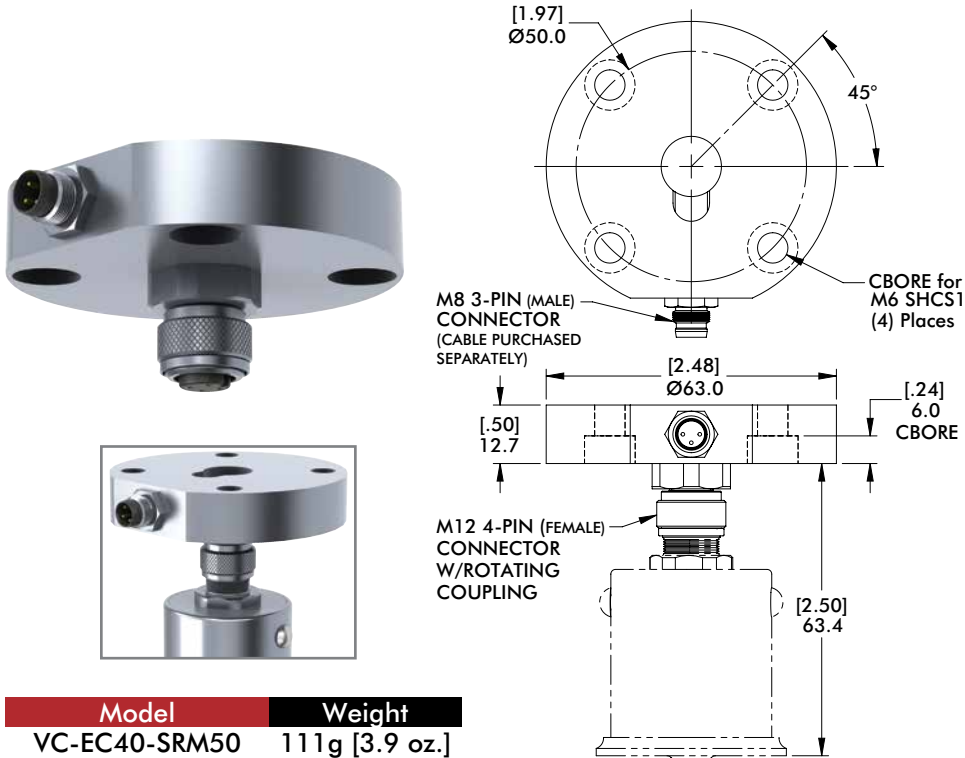
Operating Instructions:

1. Set cup on smooth, flat surface of part.
2. Apply 24VDC to Pins 3 and 4 on M12 connector. (Center of cup lifts, creating vacuum)
3. Release voltage and part is released.

ECOcup SERIES

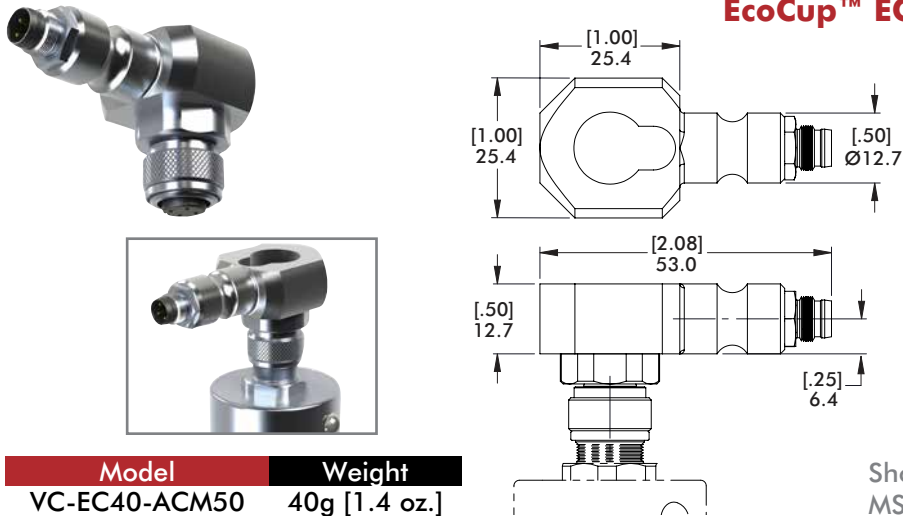
Vacuum Products | Dimensions | Technical Specifications

EcoCup™ EC40 Electric Vacuum Cup Assembly



Model	Weight
VC-EC40-SRM50	111g [3.9 oz.]

EcoCup™ EC40 Optional Apple Core Mounting



Model	Weight
VC-EC40-ACM50	40g [1.4 oz.]

Shown with DESTACO MSA Series Swivel Arm

EcoCup™ EC40 M12 4-Pin Connector with Rotating Coupling (Contact DESTACO for Custom Solutions)



Model	Weight
Turck #FKM 4.4-0.5	14g [0.5 oz.]

Shown with custom plate for array mounting

