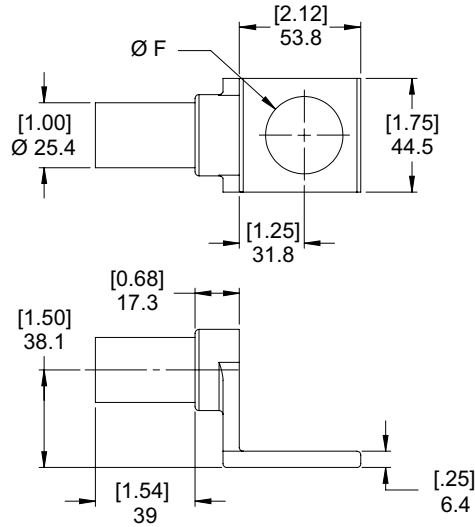
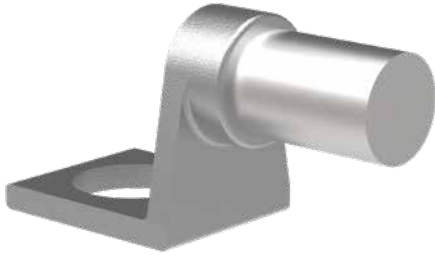


PROXIMITY SWITCH MOUNT

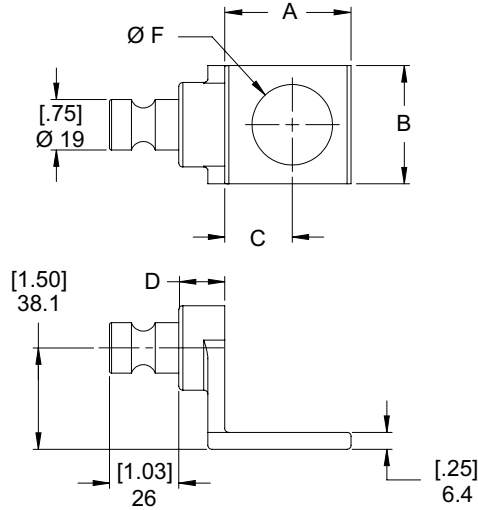
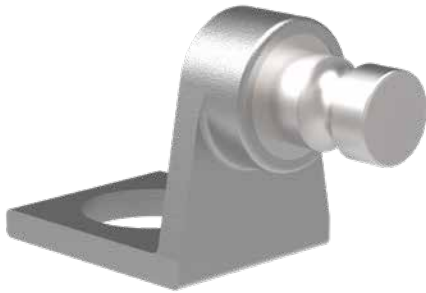
Round Tooling | Dimensions | Technical Specifications

SAP Series with 1" Extension



Model Number	(Ø)"F"	Weight
CPI-SAP-18-1E	[0.71] 18	[0.2 lb] 91 g
	[1.18] 30	[0.2 lb] 91 g

SAP Series with Apple Core



Model Number	A	B	C	D	(Ø)"F"	Weight
CPI-SAP-00					NA	[0.3 lb] 136 g
CPI-SAP-10	[1.88] 47.5	[1.75] 44.5	[1.00] 25.4		[0.39] 10	[0.2 lb] 91 g
					[0.71] 18	[0.2 lb] 91 g
CPI-SAP-18				[0.68] 17.3	[1.18] 30	[0.2 lb] 91 g
					[1.42] 36	[0.2 lb] 91 g
CPI-SAP-30					[1.65] 42	[0.3 lb] 136 g
					[1.85] 47	[0.3 lb] 136 g
CPI-SAP-36	[2.74] 69.6	[2.38] 60.4	[1.55] 39.4		[2.13] 54	[0.3 lb] 136 g
CPI-SAP-42						
CPI-SAP-47						
CPI-SAP-54						