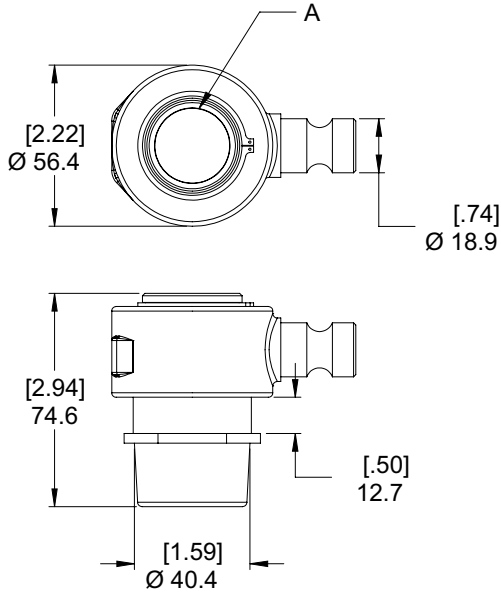


PROXIMITY SWITCH BUMPER

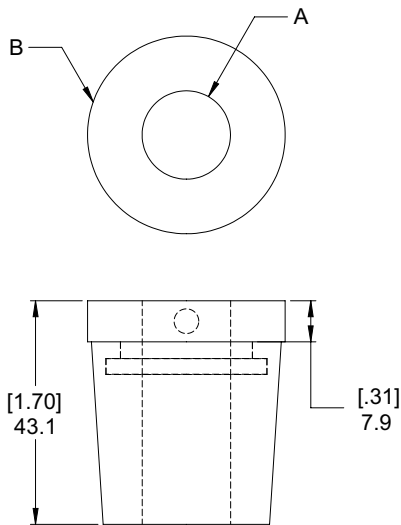
Round Tooling | Dimensions | Technical Specifications



PSM Spring Loaded Bumper



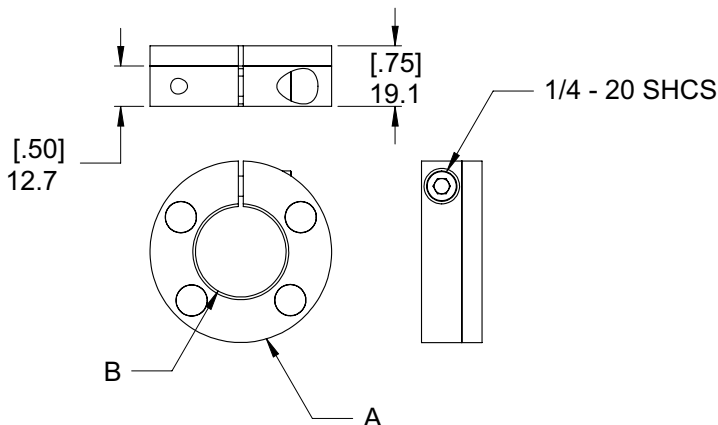
Model Number	(Ø)"A"	Weight
CPI-PSM-18-75	[18] 0.71"	[7 oz.] 198 g
CPI-PSM-30-75	[30] 1.18"	[7 oz.] 198 g



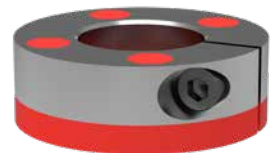
PB Friction Style Bumper



Model Number	(Ø)"A"	(Ø)"B"	Weight
CPI-PB-18-I	[18] 0.71	[38.1] 1.50	[2 oz.] 57 g
CPI-PB-30-I	[30] 1.18	[50.8] 2.00	[3 oz.] 85 g



PB Locking Collar Style Bumper



Model Number	(Ø)"A"	(Ø)"B"	Weight
CPI-PB-30M	[57.2] 2.25	[30] 1.18	[3 oz.] 85 g
CPI-PB-36M	[63.5] 2.50	[36] 1.42	[3 oz.] 85 g
CPI-PB-42M	[69.9] 2.75	[42] 1.65	[4 oz.] 113 g
CPI-PB-47M	[76.2] 3.00	[47] 1.85	[5 oz.] 141 g
CPI-PB-54M	[85.9] 3.38	[54] 2.13	[5 oz.] 141 g