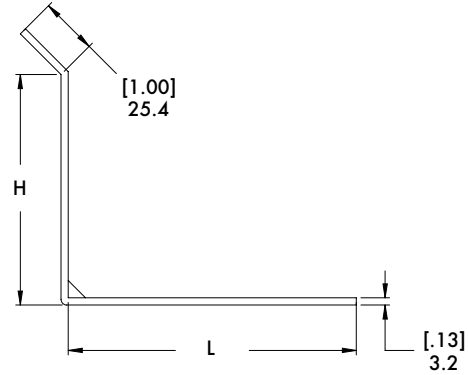
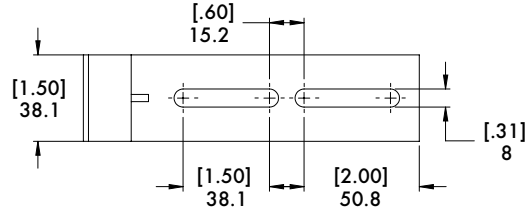


NEST PAD GUIDES

Round Tooling | Dimensions | How To Order

Single

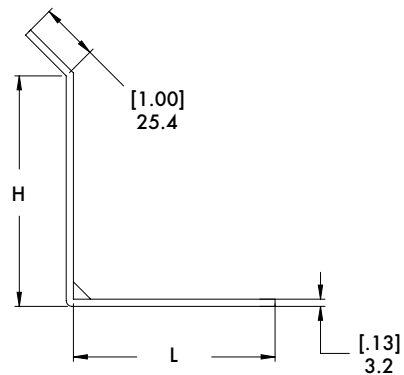
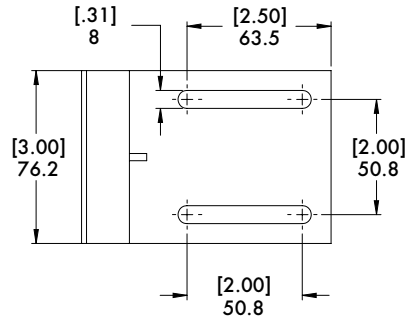


CPI - **NPG** - **24E** -  - 

Base Model
NPG
Steel Nest
Pad Guides
Single

Length		Height	
05	5.00"	04	4.00"
06	6.00"	06	6.00"
07	7.00"	08	8.00"
08	8.00"		

Wide



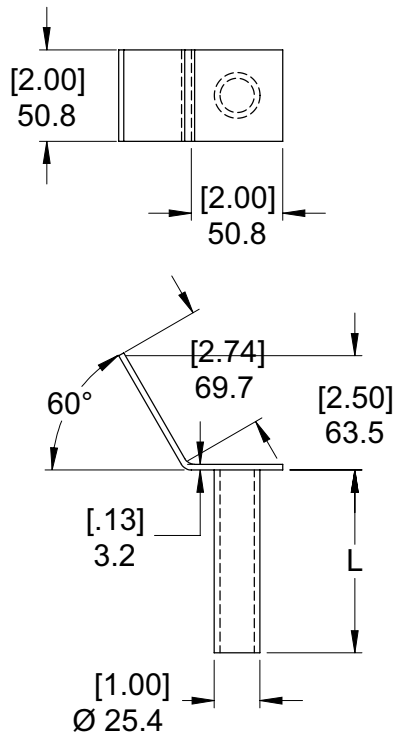
CPI - **NPG** - **24S** -  - 

Base Model
NPG
Steel Nest
Pad Guides
Wide

Length		Height	
3.5	3.50"	04	4.00"
4.5	4.50"	06	6.00"
5.5	5.50"	08	8.00"
6.5	6.50"		

NEST PAD GUIDES

Round Tooling | Dimensions | How To Order



CPI - NPG - 10 - 

Base Model
NPG
Steel Nest
Pad Guides

Length

04	4.00"
06	6.00"
08	8.00"
10	10.00"
12	12.00"
14	14.00"