

RDN/RDC SERIES

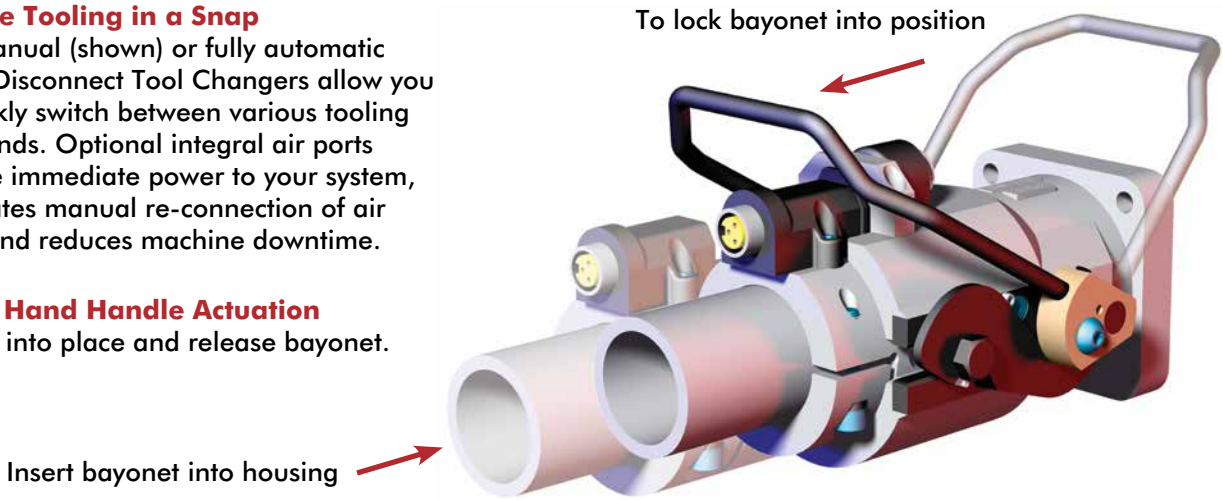
Table of Contents

Change Tooling in a Snap

Our manual (shown) or fully automatic Quick Disconnect Tool Changers allow you to quickly switch between various tooling in seconds. Optional integral air ports provide immediate power to your system, eliminates manual re-connection of air lines, and reduces machine downtime.

Single Hand Handle Actuation

To lock into place and release bayonet.



RDN/RDC Features

(Handle in release position)



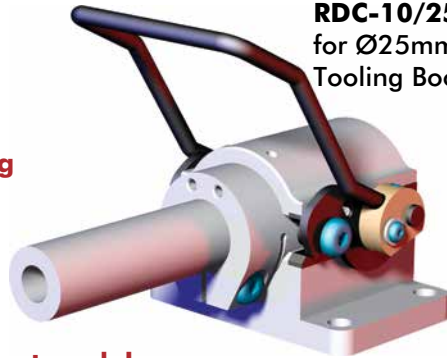
RDN-40 Housing
RDC-40/15 Bayonet
for Ø40mm/1.50"(in)
Tooling Boom/Tubes

Internal urethane bumpers
ensures a tight interface between
the robot and tool sides

Air & electrical connections
stay properly sequenced when tool is removed.

Additional electrical connectors available
RDN-40 and RDH electrical connectors must be
ordered separately from Housing/Bayonet.

(Handle in locking position)

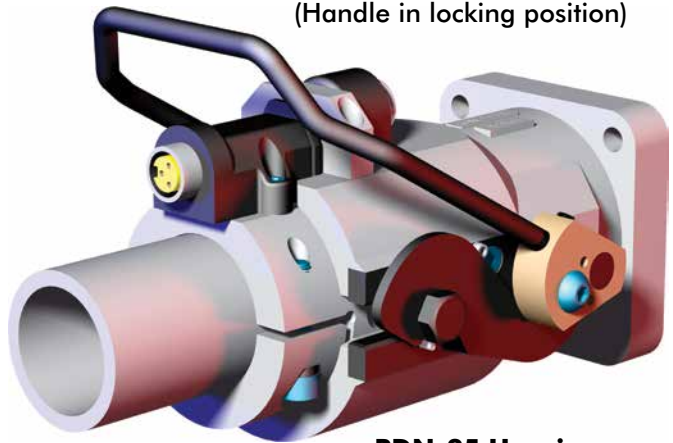


RDN-10 Housing
RDC-10/25M Bayonet
for Ø25mm/1.00"(in)
Tooling Boom/Tubes

Base and Flange mounting
for RDN 10/40 Housing

Optional air port modules
auto disconnect when handle is released

(Handle in locking position)



RDN-25 Housing
RDC-60/25 Bayonet
for Ø60mm/2.50"(in)
Tooling Boom/Tubes

BAYONETS FOR MANUAL TOOL CHANGERS

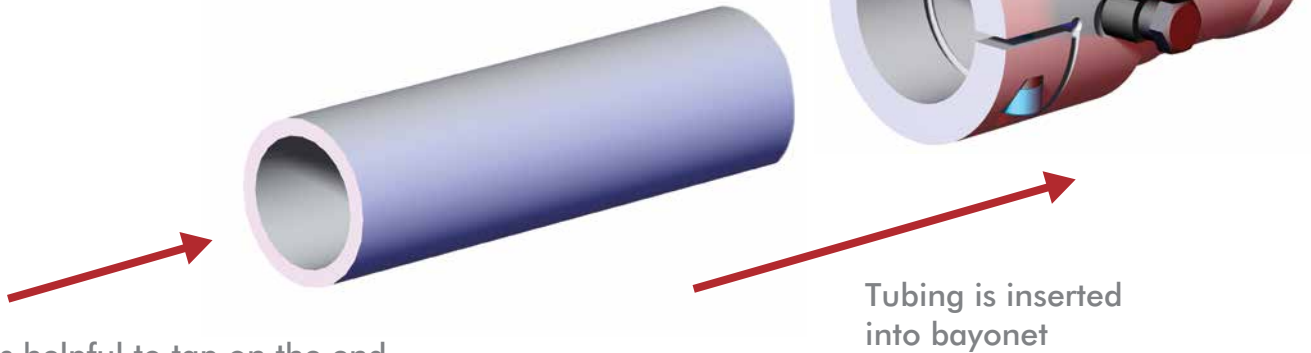
Manual Tool Changers | Bayonet & Boom Assembly Procedure | Product Overview

Overview:

The internal surface of the bayonet is tapered to lock the tubing in the position during hi-torque operations. Tubing must be inserted the proper distance to completely engage the taper.

Procedure:

Part Number	Depth
CPI-RDC-10-1	70mm [2.75 in]
CPI-RDC-25M-1	70mm [2.75 in]
CPI-RDC-15-1	102mm [4.00 in]
CPI-RDC-40-1	102mm [4.00 in]
CPI-RDC-25-2	152mm [6.00 in]
CPI-RDC-60-2	152mm [6.00 in]
CPI-RDC-25-2HT	171mm [6.75 in]



It is helpful to tap on the end of the tubing with a mallet until the tubing is seated firmly against the taper

RDN-10 DISCONNECT HOUSINGS

Manual Tool Changers | Flange Style Housing for RDC-10 Series Bayonets | Product Overview

Features:

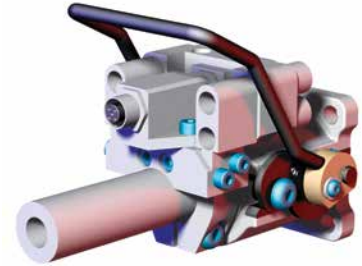
- 50.8mm [2.00 in.] Sq. Flange Mntg.
- Steel handle actuation allows quick and accurate installation, pulling the bayonet into a fixed position within the housing. This action also engages optional air and electric connectors
- Internal urethane rings eliminate vibration and seat the bayonet securely

Specifications:

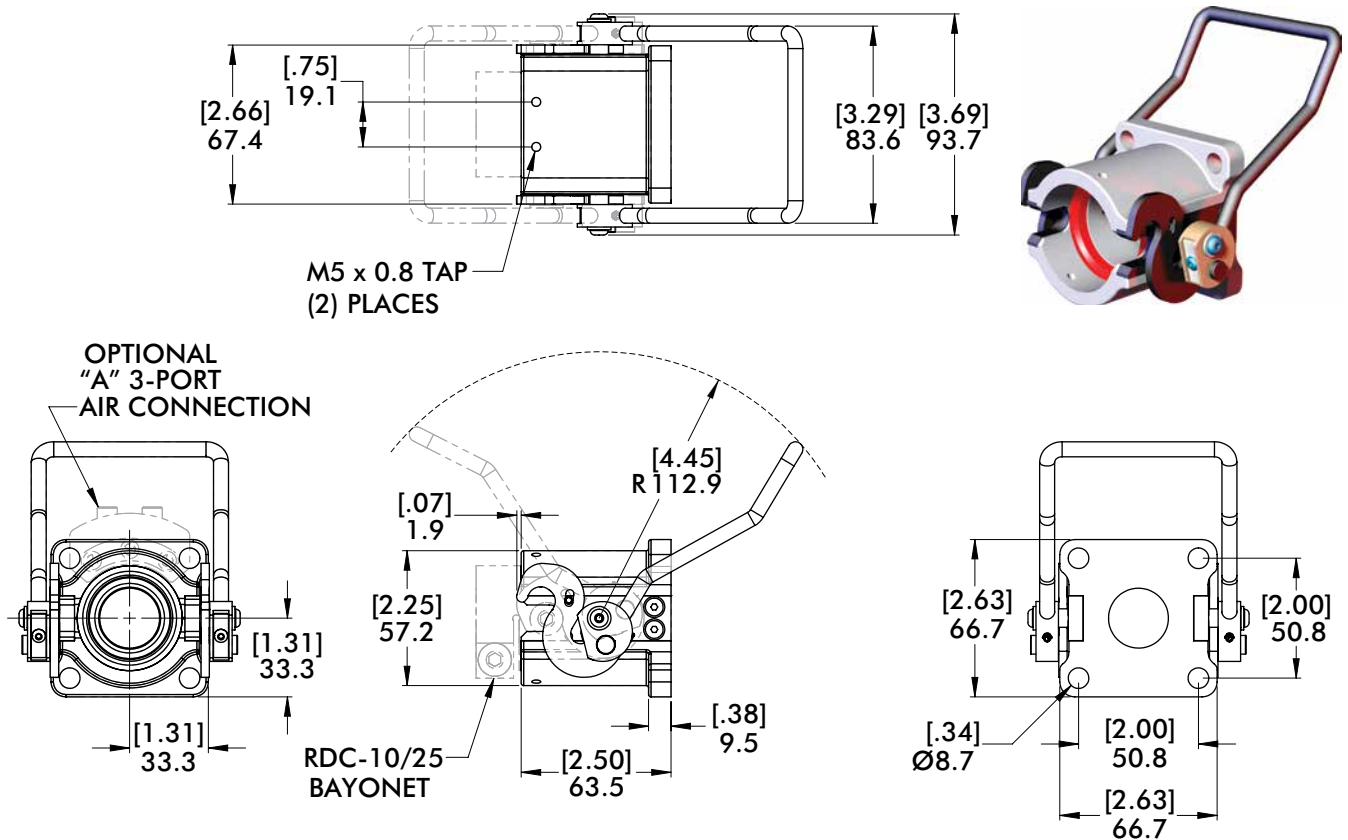
Max. Static Product Load:
47 N*m [35 ft-lb]

Material:
Body: Aluminum
Knuckles: Brass
Handle and Hooks: Steel
Inserts: Urethane

Weight:
0.63 kg [1.4 lb]



Dimensions

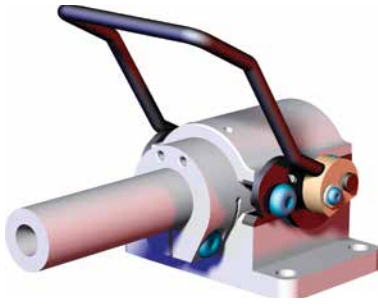


How To Order

	Model	Mounting	Air Port Connection	Electrical Connection
CPI	RDN-10	1F	4AS	5E
	"RDN-10" Ø25mm/1.00" Quick Disconnect Housing	"1F" Flange Type Mounting	"A" (3-Port Connector) "5A" (5-Port Connector) "4AS" (4-Port Connector) (Leave blank for No Options)	"5E" (5-Pin Connector) (Only available for "4AS" Option)

RDN-10 HOUSINGS

Manual Tool Changers | Base Mount Style for RDC-10 Series Bayonets | Product Overview



Specifications:

Max. Static Product Load: 47 N*m [35 ft-lb]

Material:

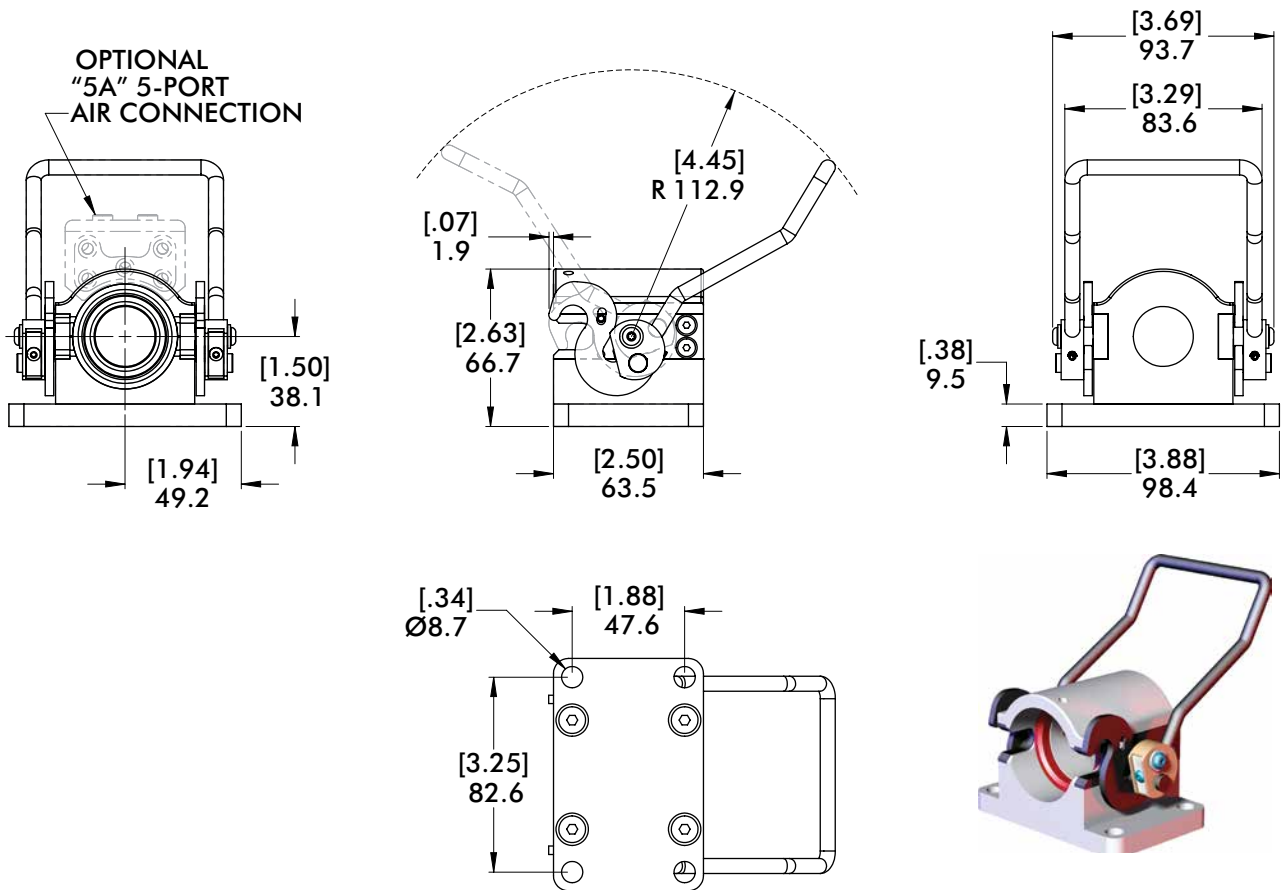
Body: Aluminum
Knuckles: Brass
Handle and Hooks: Steel
Inserts: Urethane

Weight: 0.82 kg [1.8 lb]

Features:

- 47.6mm x 82.6mm [1.88 in. x 3.25 in.] Base Mounting.
- Steel handle actuation allows quick and accurate installation, pulling the bayonet into a fixed position within the housing. This action also engages optional air and electric connectors
- Internal urethane rings eliminate vibration and seat the bayonet securely

Dimensions



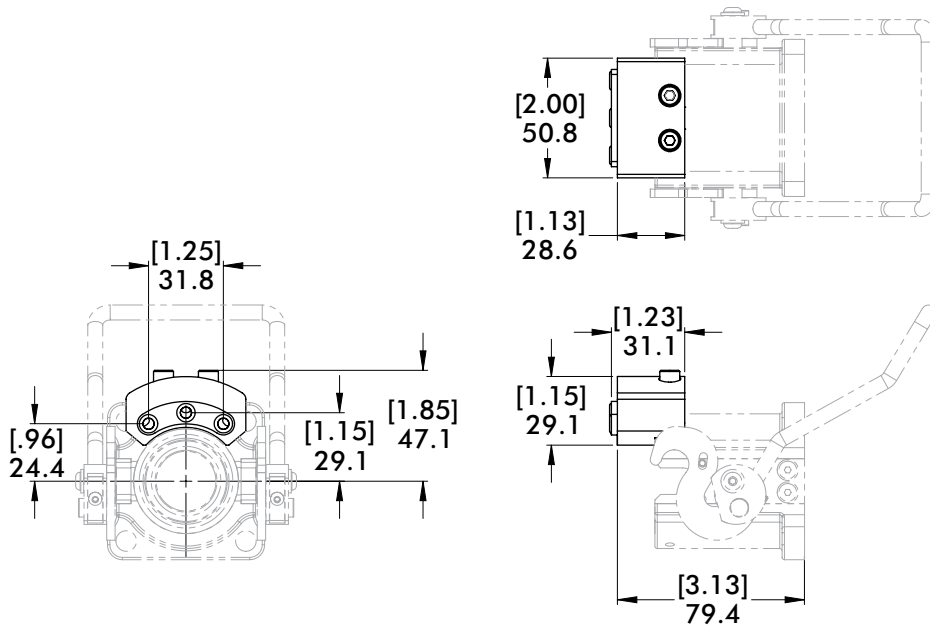
How To Order

	Model	Mounting	Air Port Connection	Electrical Connection
CPI	RDN-10	1B	4AS	5E
	"RDN-10" Ø25mm/1.00" Quick Disconnect Housing	"1B" Base Type Mounting	"A" (3-Port Connector) "5A" (5-Port Connector) "4AS" (4-Port Connector) (Leave blank for No Options)	"5E" (5-Pin Connector) (Only available for "4AS" Option)

AIR MANIFOLDS

Manual Tool Changers | RDN-10 Disconnect Series | Dimensions

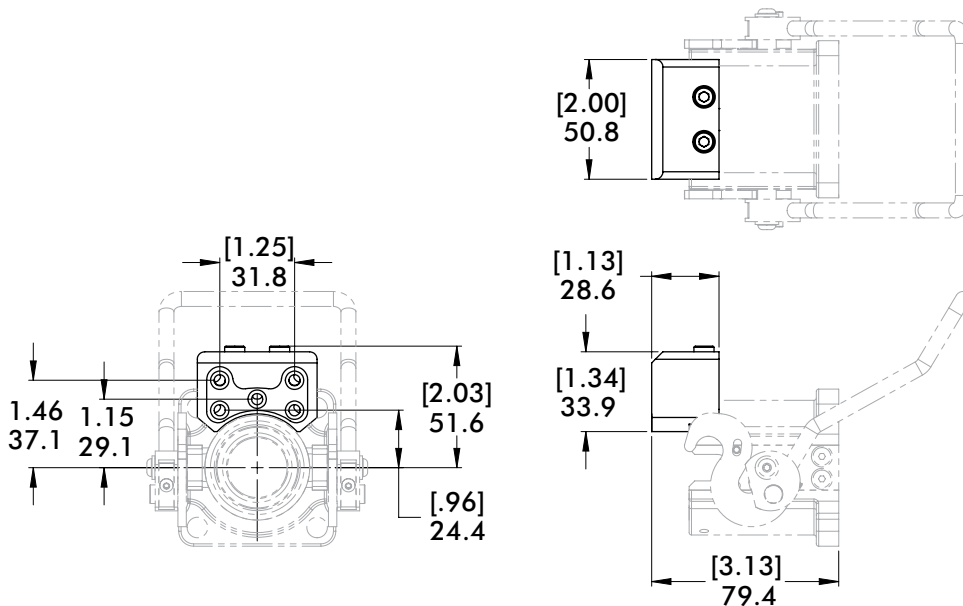
1A 3-Port Air Connection



REPLACEMENT PART

RDN-10-8

5A 5-Port Air Connection



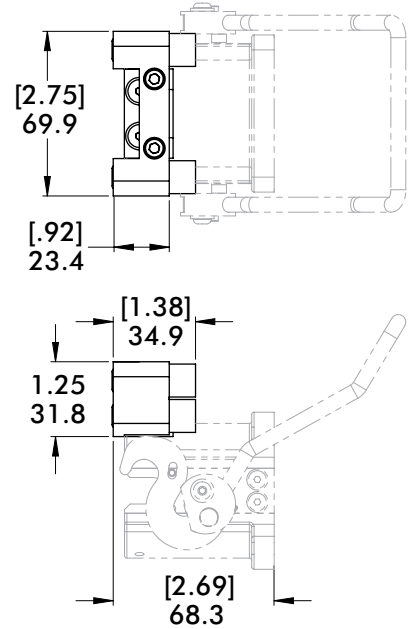
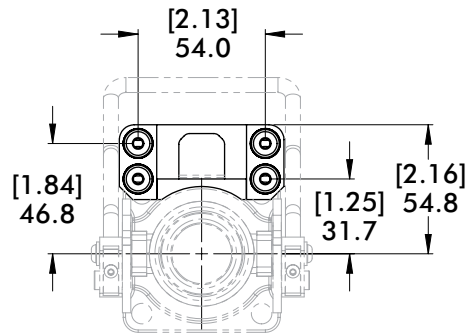
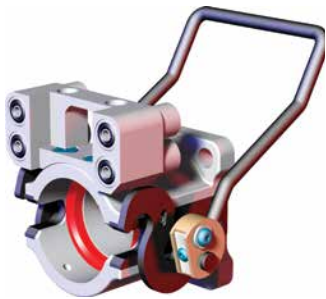
REPLACEMENT PART

RDN-10-9

AIR MANIFOLDS WITH OR WITHOUT ELECTRICAL CONNECTIONS

Manual Tool Changers | RDN-10 Disconnect Series | Dimensions

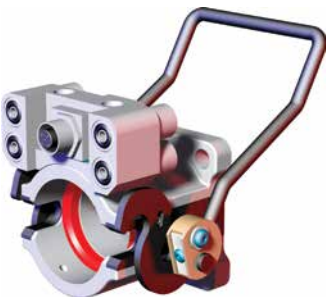
4AS 4-Port Air Connection with Shutoff



REPLACEMENT PART
CPI-RDN-10-4AS

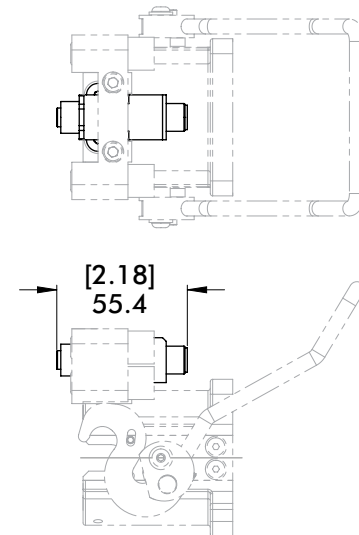
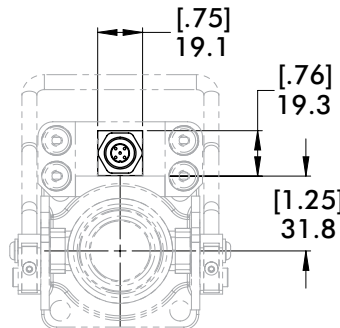
Air fittings
(4) Needed
RDN-AS-U18

5E 5-Pin Micro Electric Connection



See Page 17 for
Pin Configuration

REPLACEMENT PART
CPI-RDH-F5S-5MCM



RDC-10/25 SERIES BAYONETS

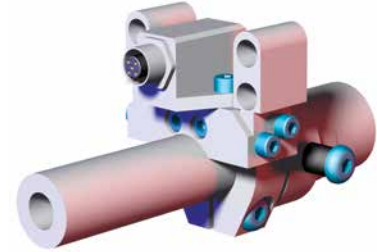
Manual Tool Changers | 25mm or 1.0" Booms | Product Overview

Features:

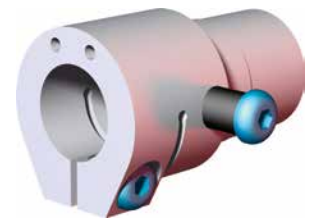
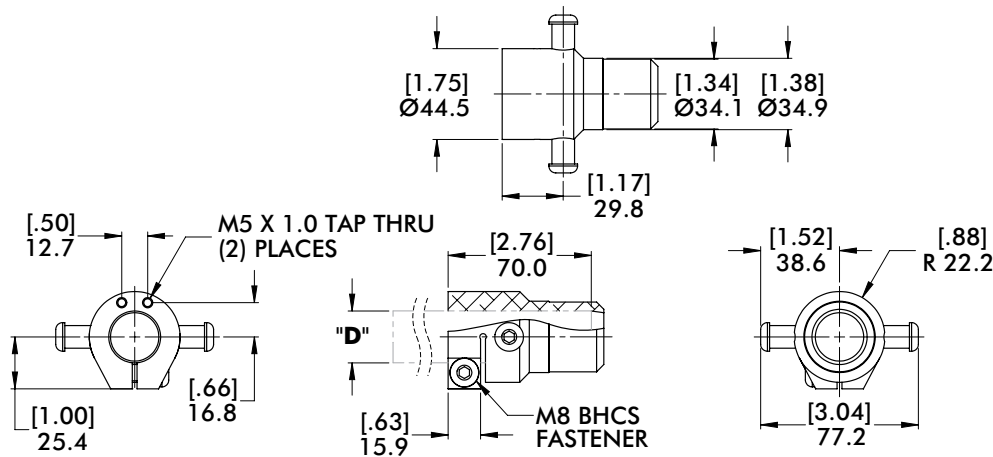
- Used in conjunction with the Quick Disconnect Housing to provide efficient mode of changing tools manually.
- (2) Hardened alignment pins allows quick and accurate installation into the bayonet.

Specifications:

Max. Static Product Load:
47 N*m [35 ft-lb]
Material:
Body: Aluminum
Pins: Steel
Weight:
0.23 kg [0.5 lb]



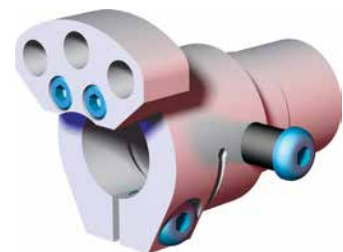
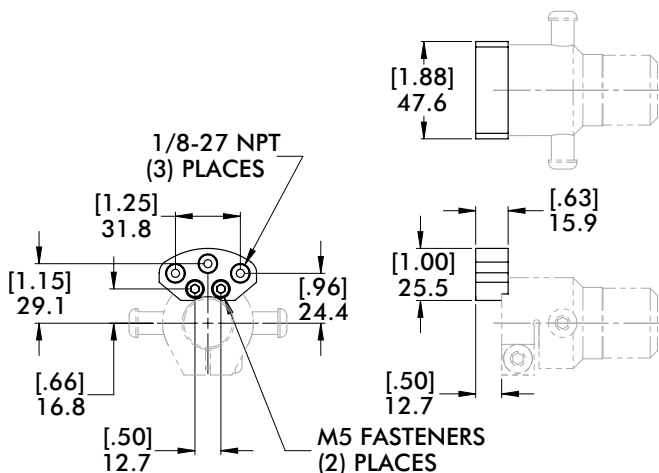
Dimensions



How To Order

CPI	Model	Boom/Tube (Ø) "D"	Air Port Connection	Electrical Connection
	RDC	10	4AS	5E
	"RDC" Quick Disconnect Bayonet	"10" 1.00"(in) "25M" 25mm	"1" "1A" "5A" "4AS" "1-4AS"	"5E" (5-Pin Connector) (Only available for "4AS or 1-4AS" Options)
			No Options (3-Port Connector) (5-Port Connector) (4-Port Connector-Imperial Only) (4-Port Connector-Metric Only)	

1A 3-Port Air Connection



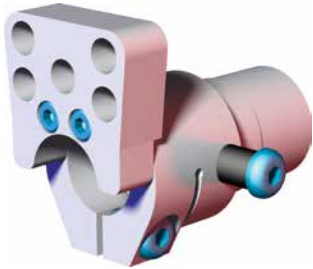
REPLACEMENT PART

RDC-10-3

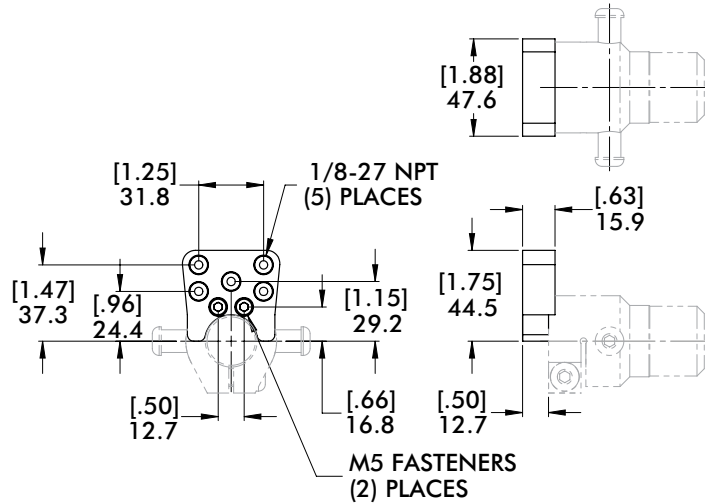
AIR MANIFOLDS WITH OR WITHOUT ELECTRICAL CONNECTIONS

Manual Tool Changers | RDC-10/25 Series Bayonets | Dimensions

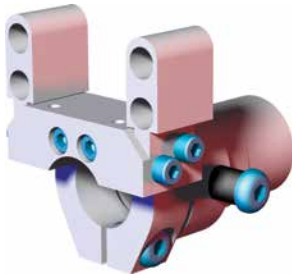
5A 5-Port Air Connection



REPLACEMENT PART
RDC-10-5

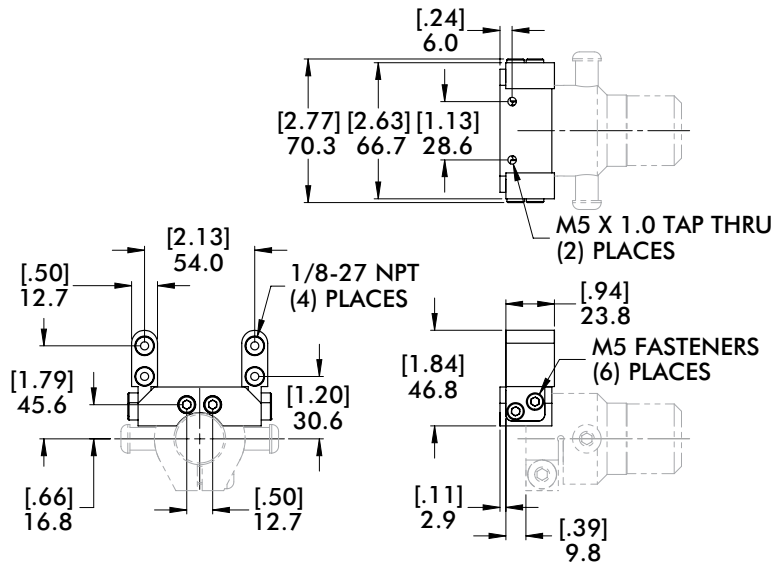


4AS 4-Port Air Connection with Shutoff

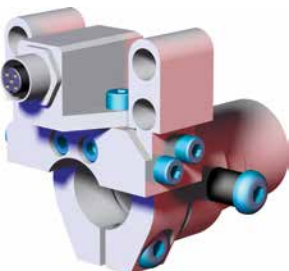


(2) Required

REPLACEMENT PART
RDC-10-4

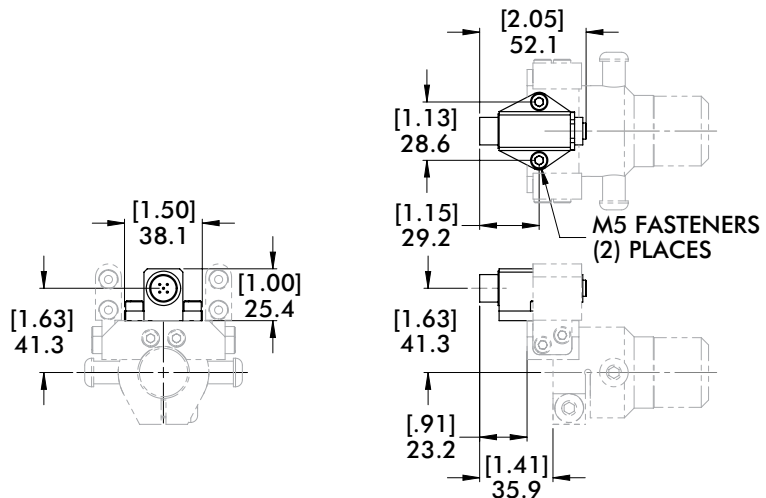


5E 5-Pin Micro Electric Connection



See Page 23 for
Pin Configuration

REPLACEMENT PART
CPI-RDB-M5P-5MCF



RDN-40 DISCONNECT HOUSINGS

Manual Tool Changers | Flange Style Housing for RDC-40/150 Series Bayonets | Product Overview

Features:

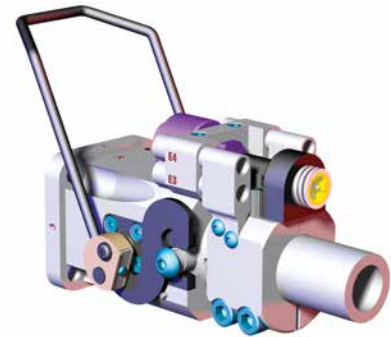
- 60.3mm [2.38 in.] Sq. Flange Mntg.
- Steel handle actuation allows quick and accurate installation, pulling the bayonet into a fixed position within the housing. This action also engages optional air and electric connectors.
- Internal urethane rings eliminate vibration and seat the bayonet securely.

Specifications:

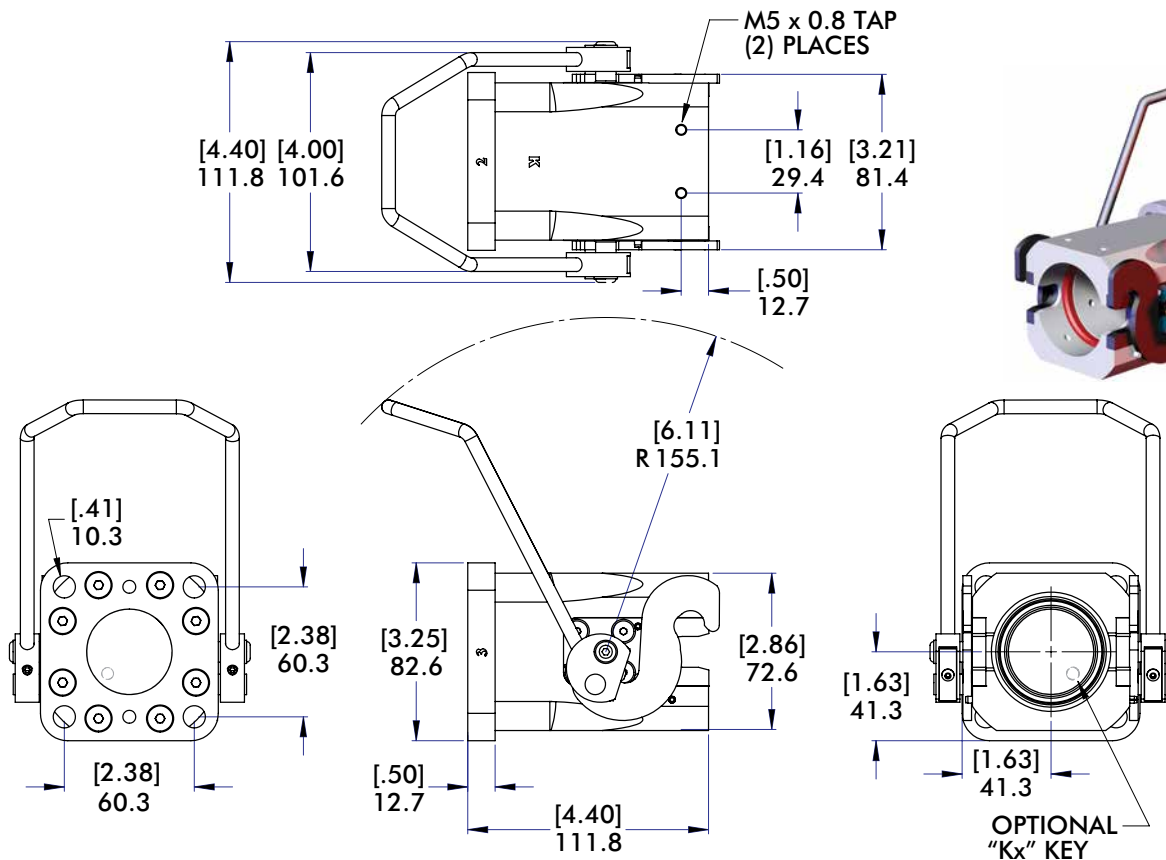
Max. Static Product Load:
305 N*m [225 ft-lb]

Material:
Body: Aluminum
Knuckles: Brass
Handle and Hooks: Steel
Inserts: Urethane

Weight:
1.5 kg [3.3 lb]



Dimensions



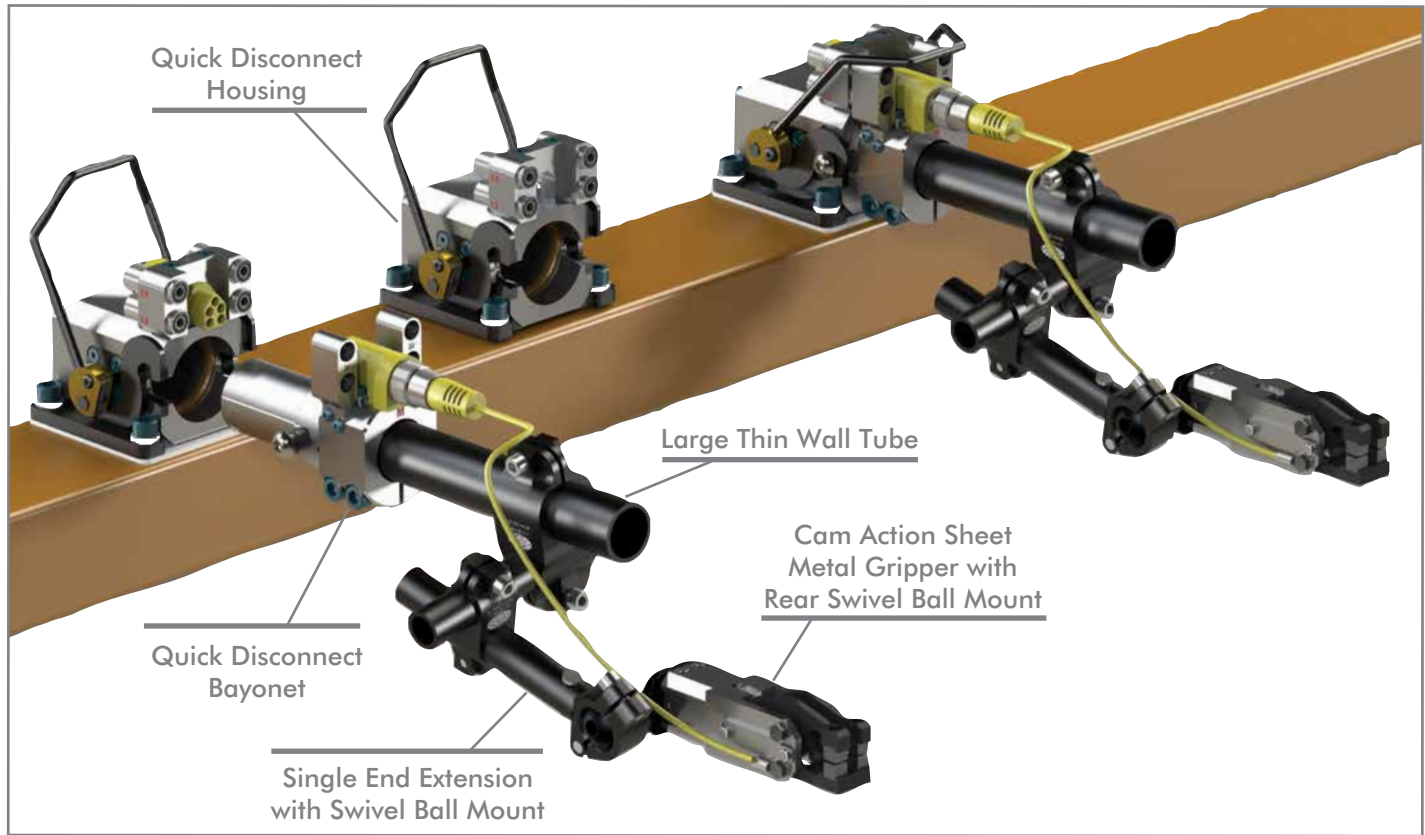
How To Order

Add for
"E4" or "E6"
Air Port
Connection
Only

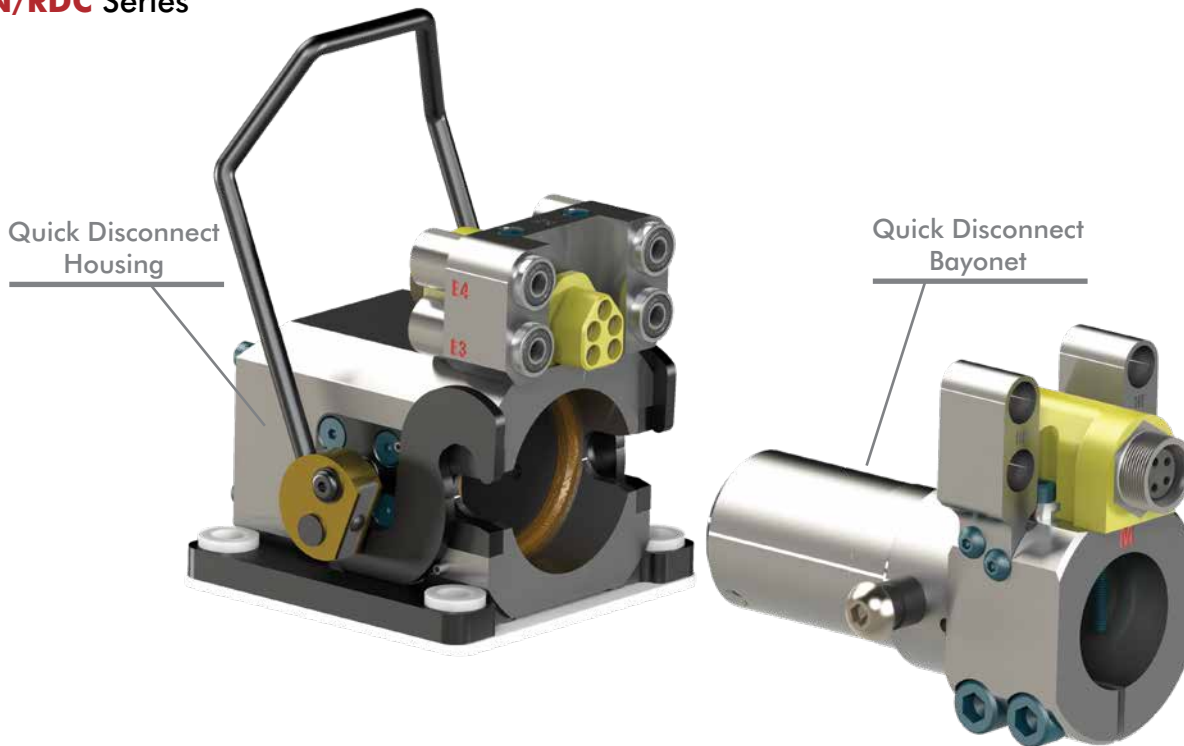
Model	Mounting	Air Port Connection	Key Position	Electrical Connection	Air Port Connection Only
CPI - RDN-40	- 1F	- S4	- K2	- MC	- HF
"RDN-40" Ø40mm/1.50" Quick Disconnect Housing	"1F" Flange Type Mounting	"S4" (4-Port Internal) "E4" (4-Port External) "E6" (6-Port External) "SE4" (4-Port Int & Ext) (Leave blank for No Options)	"K1 (1-4)" "VWK (1-16)" (Leave blank for No Options)	"MC" (Micro 5-Pin) "MN" (Mini 3-Pin) (Leave blank for No Options)	

RDN-40 BASE MOUNT DISCONNECT HOUSINGS

Manual Tool Changers | Tri-Axis Rail Tooling Example



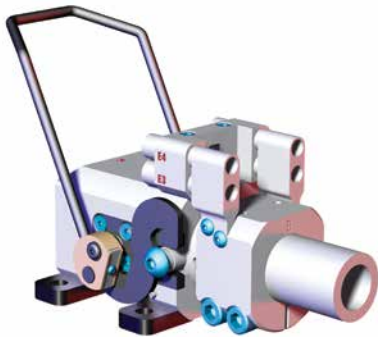
RDN/RDC Series



Model Number	Description
CPI-RDN-40-JB-E4-5MNM-HF-INS	Quick Disconnect Housing with 4-Port High Flow Air, 5-Pin Electric, Insulation
CPI-RDC-15-E4-5MNF-HF	Quick Disconnect Bayonet with 4-Port High Flow Air, 5-Pin Electric

RDN-40 DISCONNECT HOUSINGS

Manual Tool Changers | Base Mount Housing for RDC-40/150 Series Bayonets | Product Overview



Specifications:

Max. Static Product Load:
305 N*m [225 ft-lb]

Material:

Body: Aluminum
Knuckles: Brass
Handle and Hooks: Steel
Inserts: Urethane

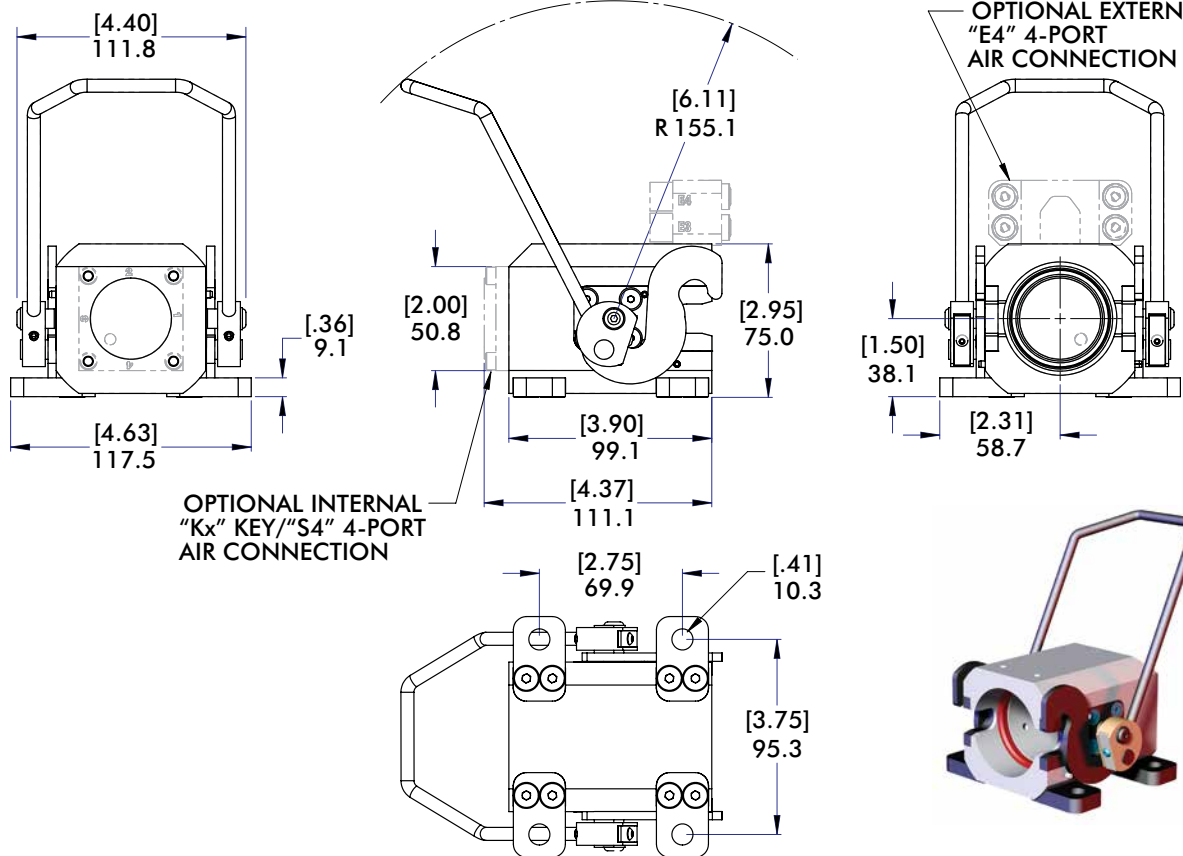
Weight:

1.4 kg [3.1 lb]

Features:

- 70mm x 95.3mm [2.75 in. x 3.75 in.] Base Mounting.
- Steel handle actuation allows quick and accurate installation, pulling the bayonet into a fixed position within the housing. This action also engages optional air and electric connectors.
- Internal urethane rings eliminate vibration and seat the bayonet securely.

Dimensions, How To Order



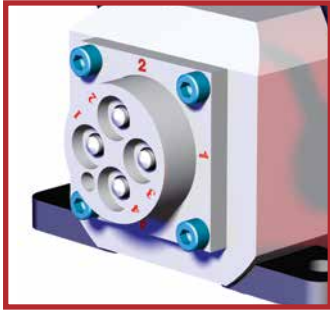
How To Order

Model	Mounting	Air Port Connection	Key Position	Electrical Connection	
CPI — RDN-40	1B	S4	K2	MC	HF
"RDN-40" Ø40mm/1.50" Quick Disconnect Housing	"1B" Base Type Mounting	"S4" "E4" "E6" "SE4"	"K (1-4)" "VWK (1-16)" (Leave blank for No Options)	"MC" (Micro 5-Pin) "MN" (Mini 3-Pin) (Leave blank for No Options)	Add for "E4" or "E6" Air Port Connection Only
		(Leave blank for No Options)			

TOOLING ERROR PROOF KEY AND AIR PORTS

Manual Tool Changers | RDN-40 Flange Mount Disconnect Housings | Dimensions

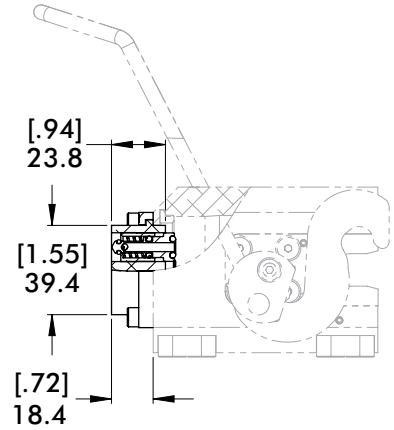
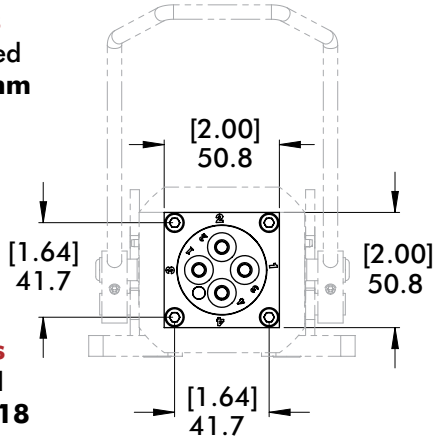
S4 4-Port Internal Air Connection for Base Style Mounting



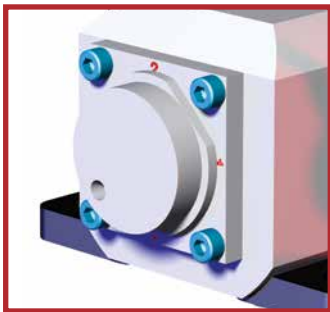
REPLACEMENT PART
RDN-40-10-IAB

Dowels
(1) Needed
M6 x 25mm

Air fittings
(4) Needed
RDN-SAS-U18

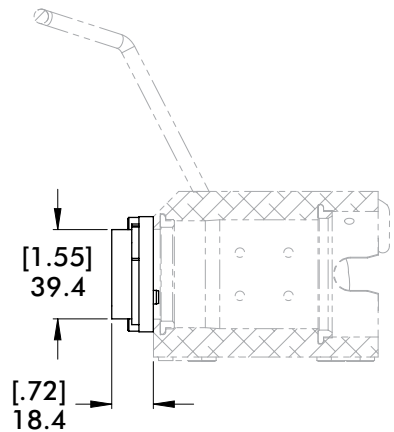
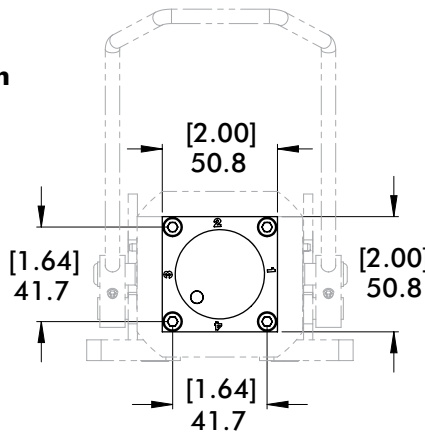


Kx Locating Key for Base Style Mounting

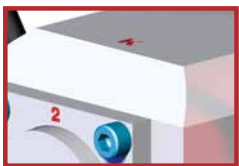


REPLACEMENT PART
RDN-40-10-IKB

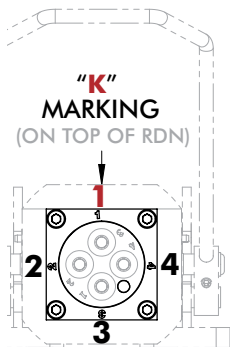
Dowels
(1) Needed
M6 x 25mm



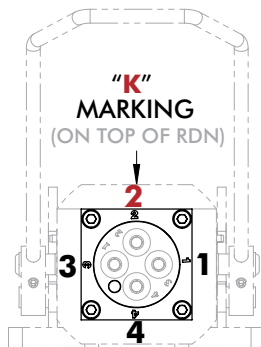
S4 and Kx Internal Key Position for Base Style Mounting



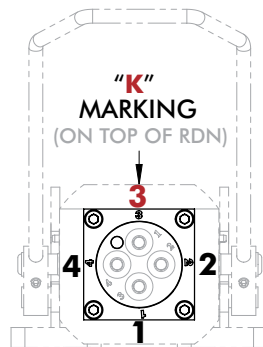
BASE MOUNT RING
(1) Needed
RDN-40-3-MR



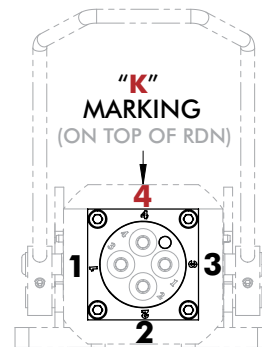
"K1" POSITION



"K2" POSITION



"K3" POSITION

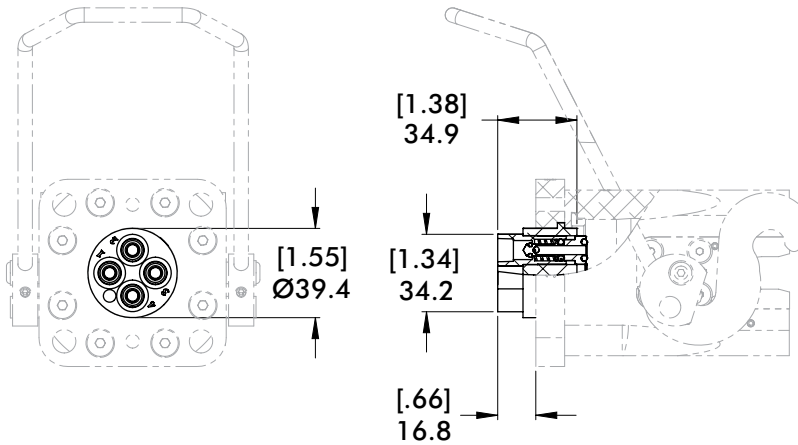


"K4" POSITION

TOOLING ERROR PROOF KEY AND AIR PORTS

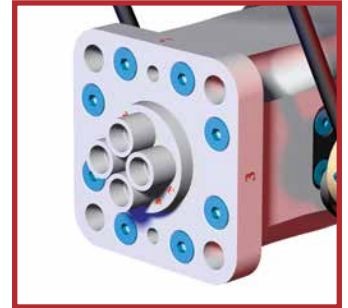
Manual Tool Changers | RDN-40 Flange Mount Disconnect Housings | Mounting

S4 4-Port Internal Air Connection for Flange Style Mounting



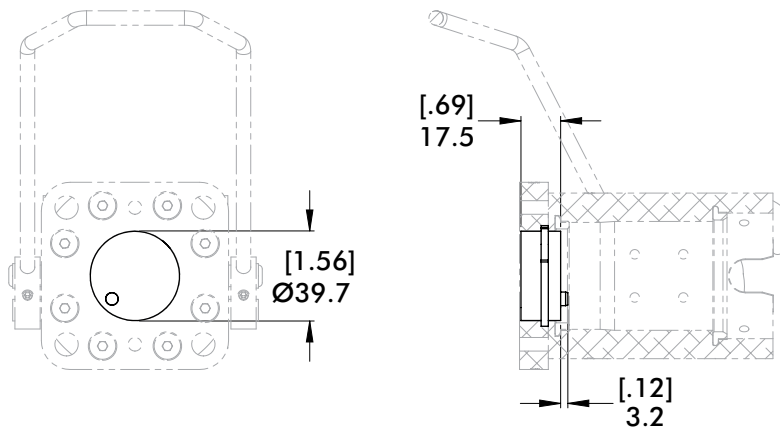
Dowels
(1) Needed
M6 x 25mm

Air fittings
(4) Needed
RDN-AS-U18



REPLACEMENT PART
RDN-40-10-IAB

Kx Locating Key for Flange Style Mounting

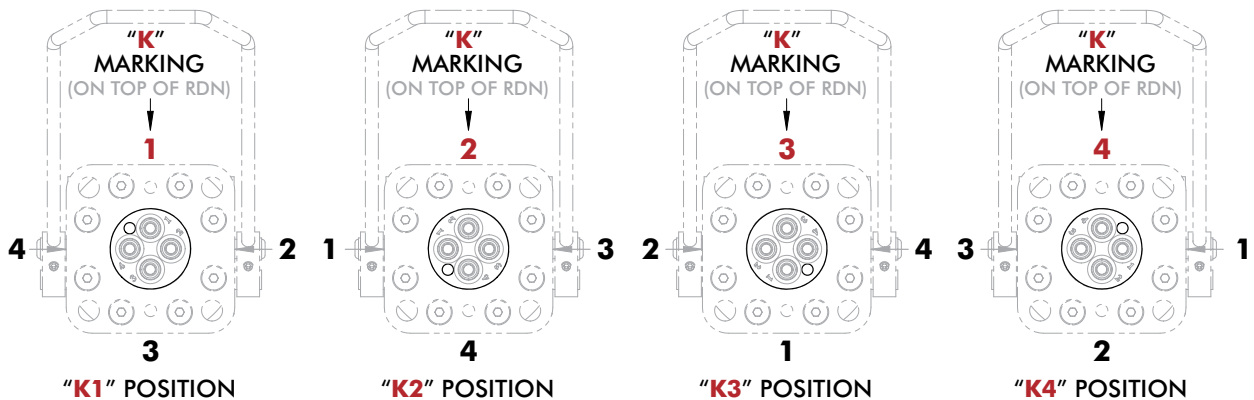
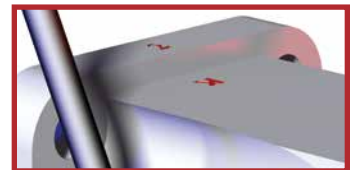


Dowels
(1) Needed
M6 x 25mm



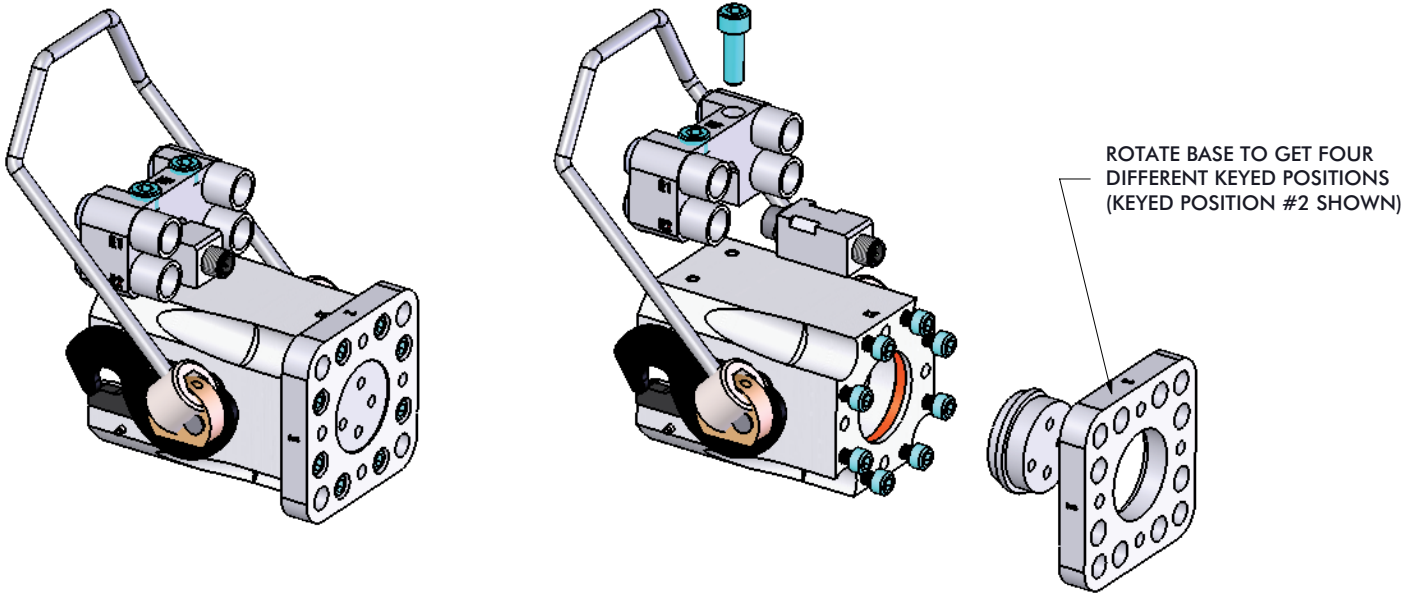
REPLACEMENT PART
RDN-40-10-IKB

S4 and Kx Internal Key Position for Flange Style Mounting

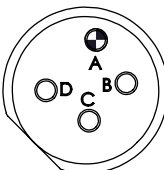
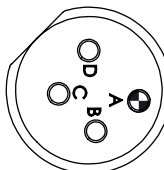
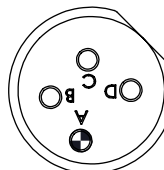
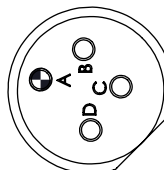
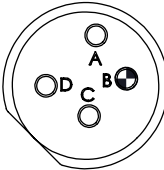
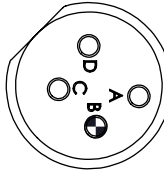
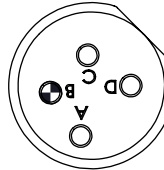
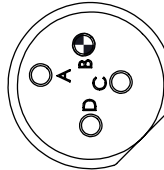
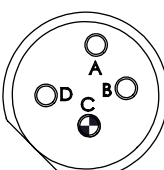
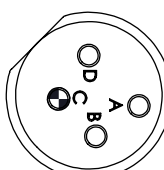
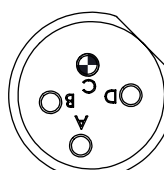
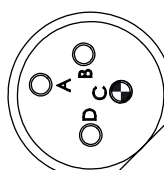
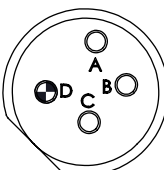
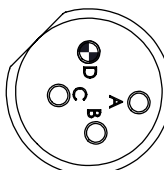
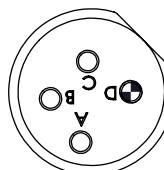
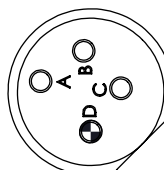


TOOLING ERROR PROOF KEY POSITIONS

Manual Tool Changers | Key Position Callout Chart



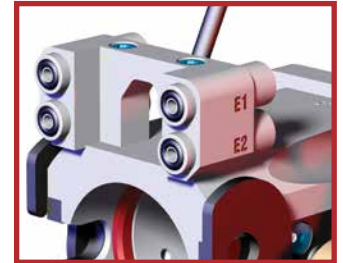
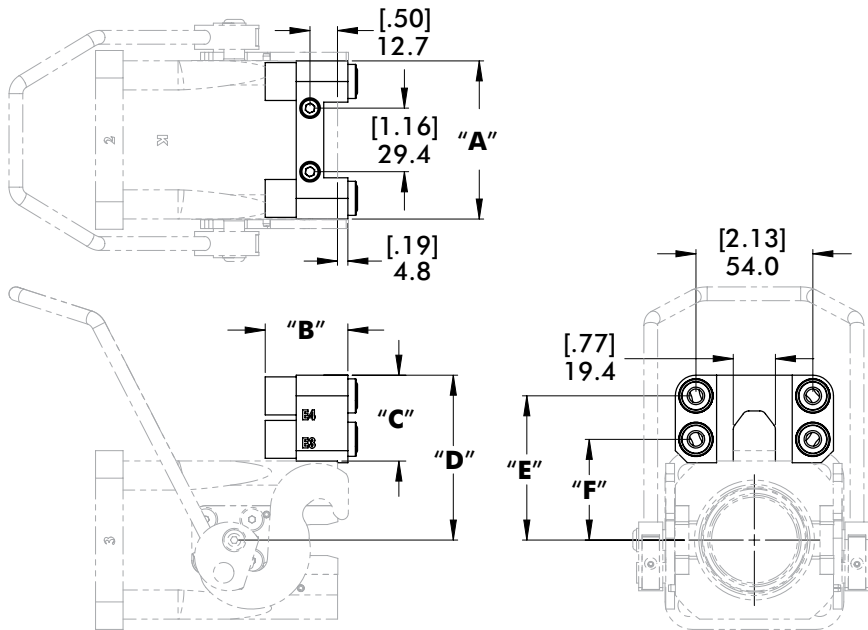
VIEWED FROM FRONT OF HOUSING

	POSITION #1	POSITION #2	POSITION #3	POSITION #4
DOWEL IN HOLE A				
	VWK1	VWK5	VWK9	VWK13
DOWEL IN HOLE B				
	VWK2	VWK6	VWK10	VWK14
DOWEL IN HOLE C				
	VWK3	VWK7	VWK11	VWK15
DOWEL IN HOLE D				
	VWK4	VWK8	VWK12	VWK16

AIR PORTS

Manual Tool Changers | RDN-40 Series Disconnect Housing | Dimensions

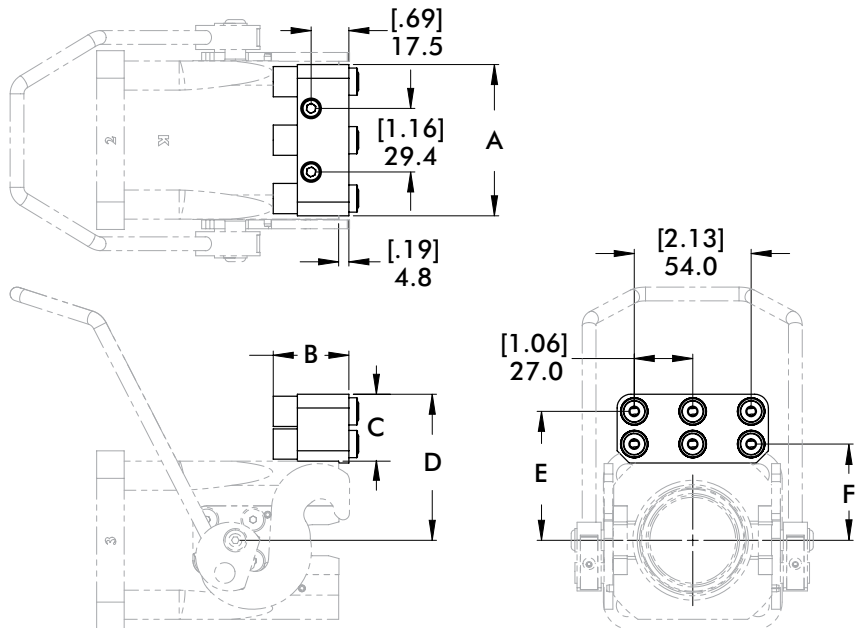
E4 4-Port External Air Connection



Air fittings
(4) Included
RDN-AS-U18-Standard
RDN-AS-U14-High Flow

ORDER OPTION	REPLACEMENT PART	"A"	"B"	"C"	"D"	"E"	"F"	WEIGHT
"E4" (Standard High Flow) (Replacement for "E4" Legacy Applications only)	CPI-RDN-40-4AS-HF	[2.88] 73.0	[1.50] 38.1	[1.56] 39.6	[3.00] 76.1	[2.62] 66.6	[1.83] 46.5	[0.38 lb] 0.23 kg
	CPI-RDN-40-4AS	[2.75] 69.9	[1.38] 34.9	[1.22] 31.0	[2.66] 67.5	[2.34] 59.5	[1.75] 44.4	[0.23 lb] 0.10 kg

E6 6-Port External Air Connection



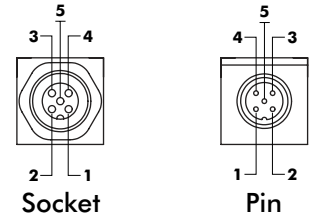
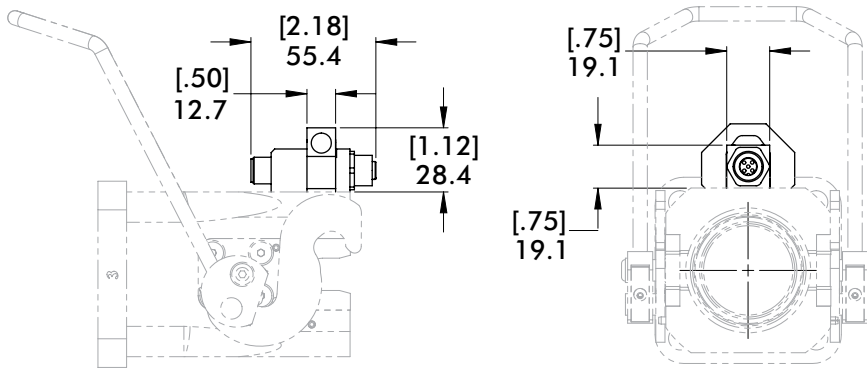
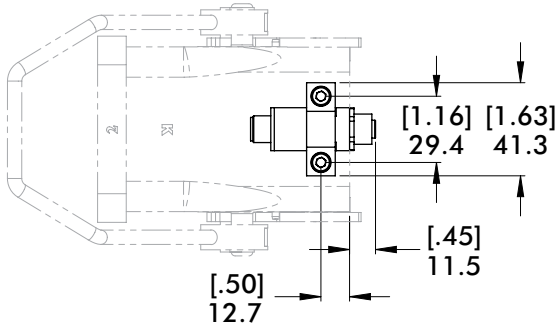
Air fittings
(6) Included
RDN-AS-U18-Standard
RDN-AS-U14-High Flow

ORDER OPTION	REPLACEMENT PART	"A"	"B"	"C"	"D"	"E"	"F"	WEIGHT
"E6" (Standard High Flow) (Replacement for "E6" Legacy Applications only)	CPI-RDN-40-10-6P-HF	[3.00] 76.2	[1.5] 38.1	[1.59] 40.5	[3.03] 76.9	[2.69] 68.3	[1.87] 47.5	[0.54 lb] 0.25 kg
	RDN-40-10-6AS	[2.75] 69.9	[1.38] 34.9	[1.22] 31	[2.66] 67.5	[2.43] 59.5	[1.75] 44.4	[0.37 lb] 0.17 kg

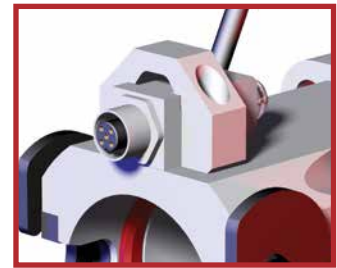
ELECTRICAL CONNECTIONS

Manual Tool Changers | RDN-40 Series Disconnect Housings | Dimensions

MC 5-Pin Micro Electric Connection



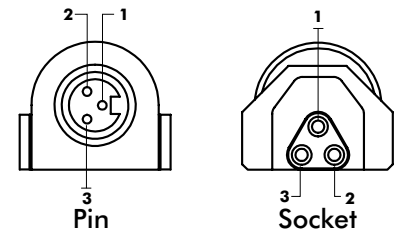
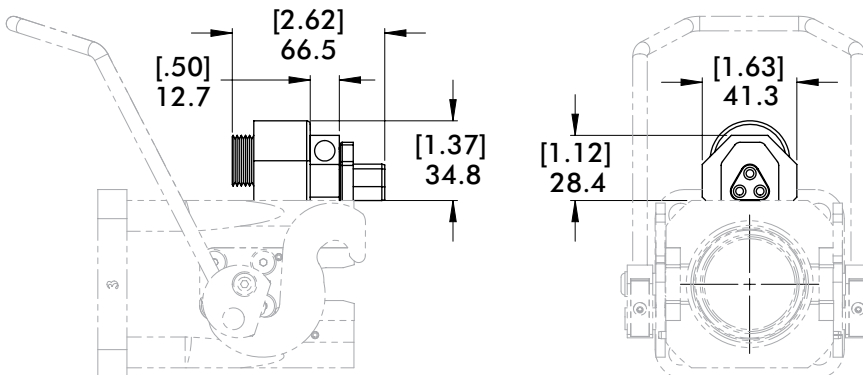
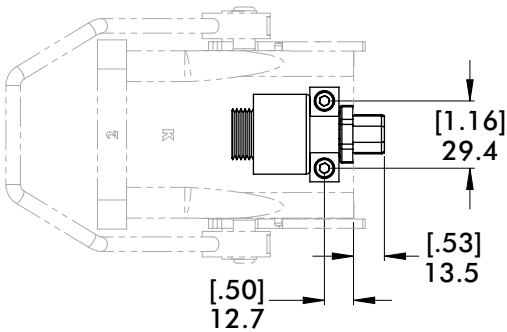
SOCKET #1	PIN #1
SOCKET #2	PIN #2
SOCKET #3	PIN #3
SOCKET #4	PIN #4
SOCKET #5	PIN #5



Part Number

Plug & Strap	CPI-RDH-F5S-5MCM
Plug	RDH-F5S-5MCM
Strap	540-22005

MN 3-Pin Mini Electric Connection



SOCKET #1	PIN #1
SOCKET #2	PIN #2
SOCKET #3	PIN #3



REPLACEMENT PART

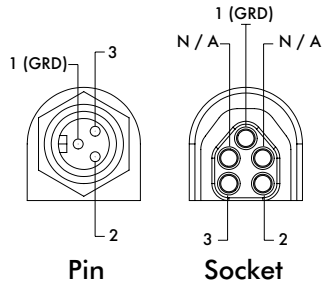
CPI-TTH-F3S-3B3

ELECTRICAL CONNECTIONS

Manual Tool Changers | RDN-40 Series Disconnect Housings | Dimensions

5-Pin Mini Electric Connection

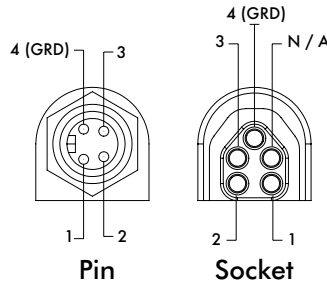
CPI-RDN-40-F5S-3MNM



SOCKET #1	GREEN	PIN #1
SOCKET #2	BLACK	PIN #2
SOCKET #3	WHITE	PIN #3
N / A		PIN #3
N / A		

PLUG COLOR: BLACK

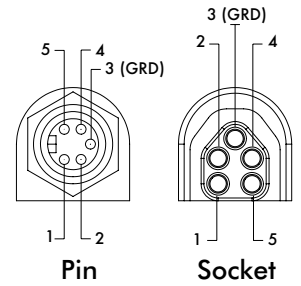
CPI-RDN-40-F5S-4MNM



SOCKET #1	BLACK	PIN #1
SOCKET #2	WHITE	PIN #2
SOCKET #3	RED	PIN #2
SOCKET #4	GREEN	PIN #3
N / A		PIN #4

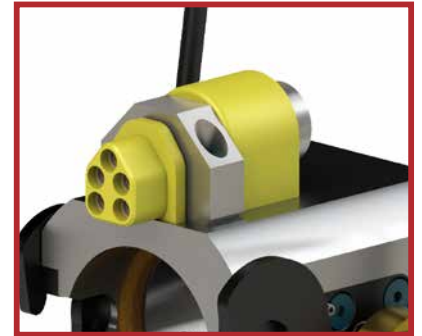
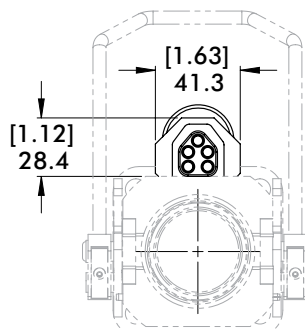
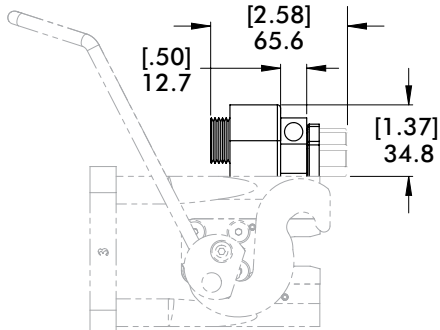
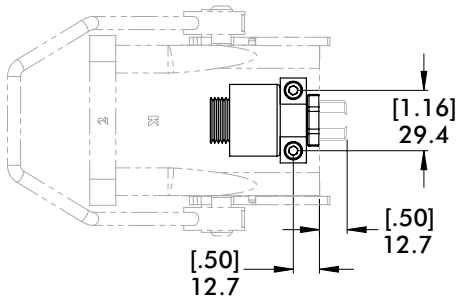
PLUG COLOR: GREEN

CPI-RDN-40-F5S-5MNM

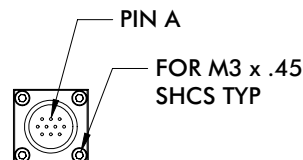
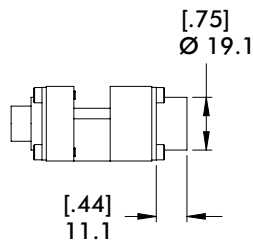
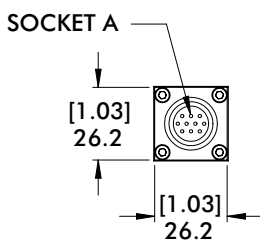
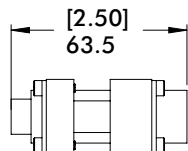


SOCKET #1	WHITE	PIN #1
SOCKET #2	RED	PIN #2
SOCKET #3	GREEN	PIN #3
SOCKET #4	ORANGE	PIN #4
SOCKET #5	BLACK	PIN #5

PLUG COLOR: YELLOW



Strap not included



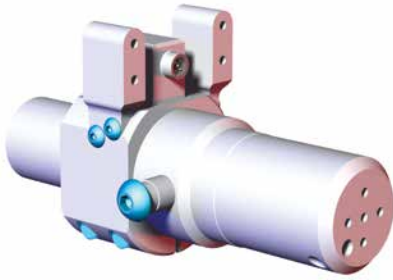
10-Pin Amphenol



REPLACEMENT PART
CPI-RDN-40-5-10

RDC SERIES BAYONET

Manual Tool Changers | 40mm / 1.50" Diameter Booms | Product Overview



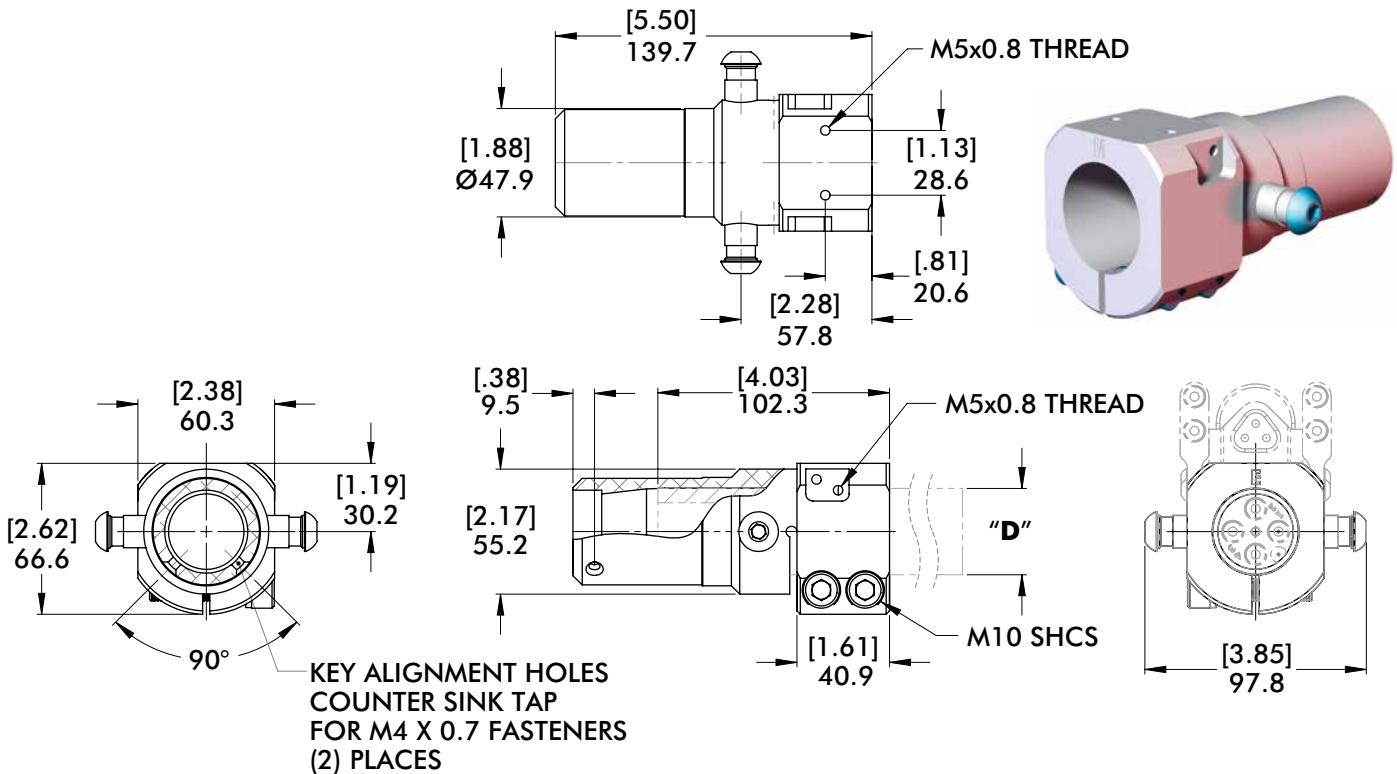
Features:

- Used in conjunction with the Quick Disconnect Housing to provide efficient mode of changing tools manually.
- (2) Hardened alignment pins allows quick and accurate installation into the housing.
- Optional internal key positioning prevents bayonet from being inserted in the wrong orientation.

Specifications:

Max. Static Product Load:
305 N*m [225 ft-lb]
Material:
Body: Aluminum
Pins: Steel
Weight:
0.69 kg [3.5 lb]

Dimensions



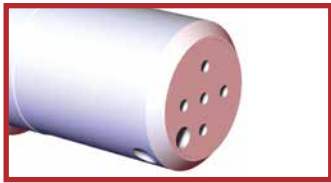
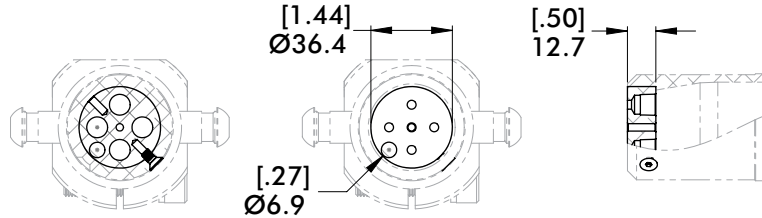
How To Order

Model	Boom/Tube (Ø) "D"	Air Port Connection	Key Position	Electrical Connection	Add for "E4" or "E6" Air Port Connection Only
CPI - RDC	40	S4	K1	MC	HF
"RDC" Quick Disconnect Bayonet	"1510" 1.00" (in) "15" 1.50" (in) "40" 40mm Add "-1" after Boom/Tube (Ø) for No Options	"S4" (4-Port Internal) "E4" (4-Port External) "E6" (6-Port External) "SE4" (4-Port Int & Ext) (Leave blank for No Options)	"K (1-4)" "VWK (1-16)" (Leave blank for No Options)	"MC" (Micro 5-Pin) "MN" (Mini 3-Pin) (Leave blank for No Options)	

TOOLING ERROR PROOF KEYS

Manual Tool Changers | RDC-40/150 Series Bayonets | Dimensions

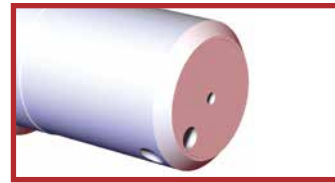
S4 4-Port Internal Air Connection and Kx Locating Key



"S4" 4-Port Internal Air Connection

REPLACEMENT PART

RDC-40-4-IAB

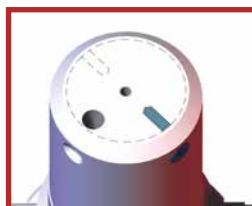
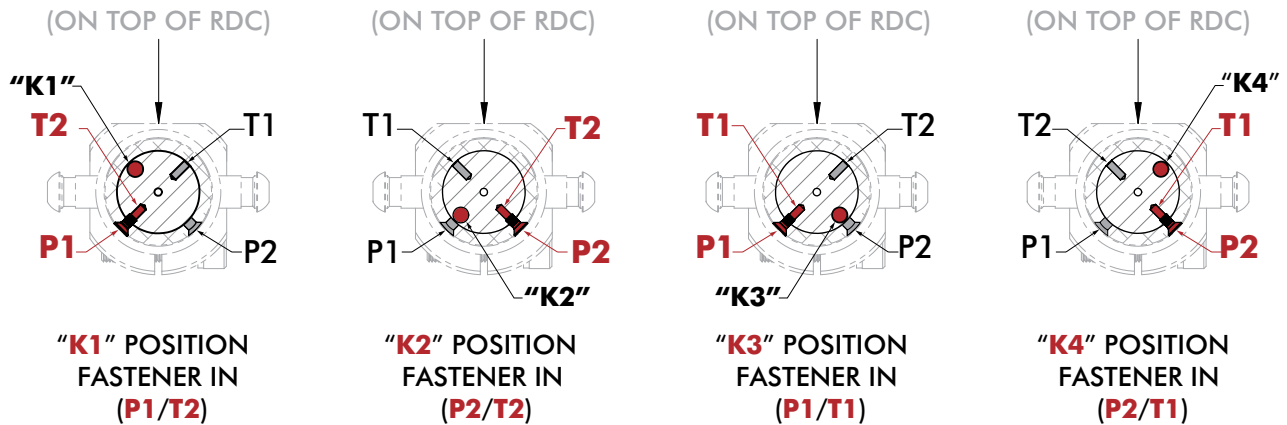


"Kx" Locating Key
(x) Refers to Position

REPLACEMENT PART

RDC-40-4-IKB

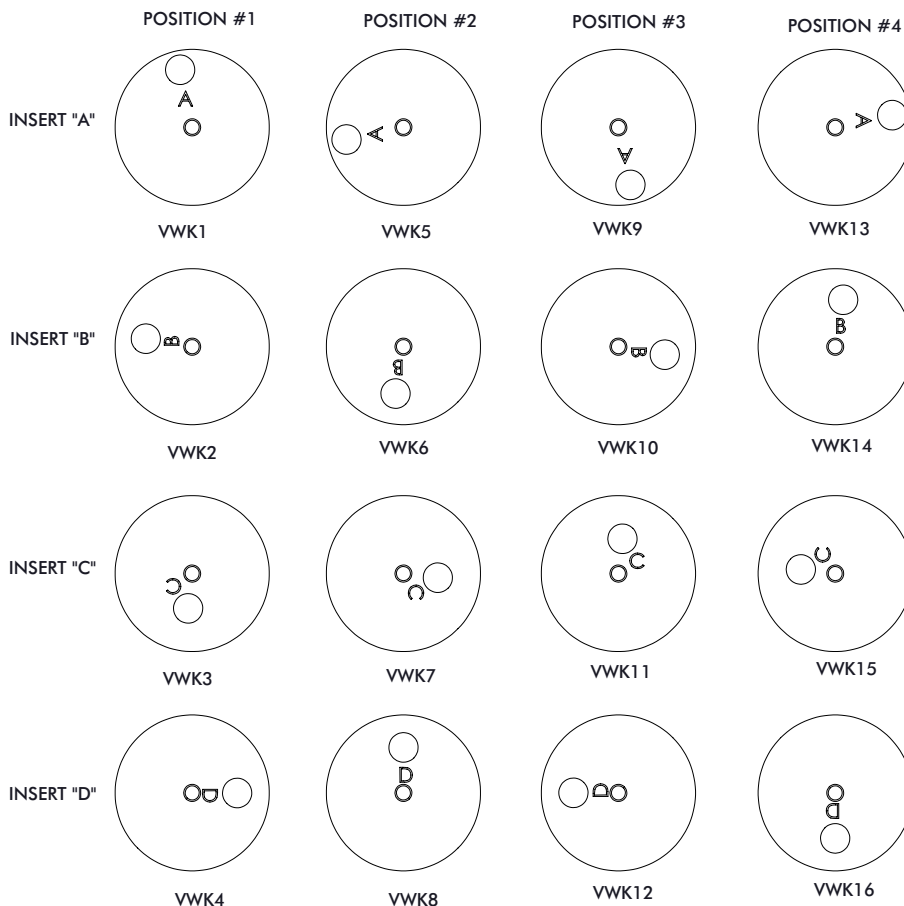
S4 and Kx Internal Key Position



TOOLING ERROR PROOF KEY POSITIONS

Manual Tool Changers | RDC-40/150 Series Bayonets

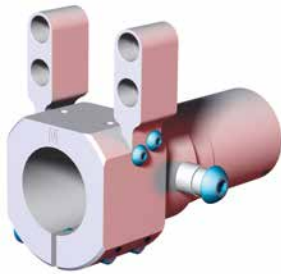
ASSEMBLY #	KEY POSITION #	KEY BLOCK #	INSERT	POSITION
CPI-RDC-40-E4-VWK1-MC-HF	VWK1	RDC-40-4-IKB-16-KA1-4	A	1
CPI-RDC-40-E4-VWK2-MC-HF	VWK2	RDC-40-4-IKB-16-KB1-4	B	1
CPI-RDC-40-E4-VWK3-MC-HF	VWK3	RDC-40-4-IKB-16-KC1-4	C	1
CPI-RDC-40-E4-VWK4-MC-HF	VWK4	RDC-40-4-IKB-16-KD1-4	D	1
CPI-RDC-40-E4-VWK5-MC-HF	VWK5	RDC-40-4-IKB-16-KA1-4	A	2
CPI-RDC-40-E4-VWK6-MC-HF	VWK6	RDC-40-4-IKB-16-KB1-4	B	2
CPI-RDC-40-E4-VWK7-MC-HF	VWK7	RDC-40-4-IKB-16-KC1-4	C	2
CPI-RDC-40-E4-VWK8-MC-HF	VWK8	RDC-40-4-IKB-16-KD1-4	D	2
CPI-RDC-40-E4-VWK9-MC-HF	VWK9	RDC-40-4-IKB-16-KA1-4	A	3
CPI-RDC-40-E4-VWK10-MC-HF	VWK10	RDC-40-4-IKB-16-KB1-4	B	3
CPI-RDC-40-E4-VWK11-MC-HF	VWK11	RDC-40-4-IKB-16-KC1-4	C	3
CPI-RDC-40-E4-VWK12-MC-HF	VWK12	RDC-40-4-IKB-16-KD1-4	D	3
CPI-RDC-40-E4-VWK13-MC-HF	VWK13	RDC-40-4-IKB-16-KA1-4	A	4
CPI-RDC-40-E4-VWK14-MC-HF	VWK14	RDC-40-4-IKB-16-KB1-4	B	4
CPI-RDC-40-E4-VWK15-MC-HF	VWK15	RDC-40-4-IKB-16-KC1-4	C	4
CPI-RDC-40-E4-VWK16-MC-HF	VWK16	RDC-40-4-IKB-16-KD1-4	D	4



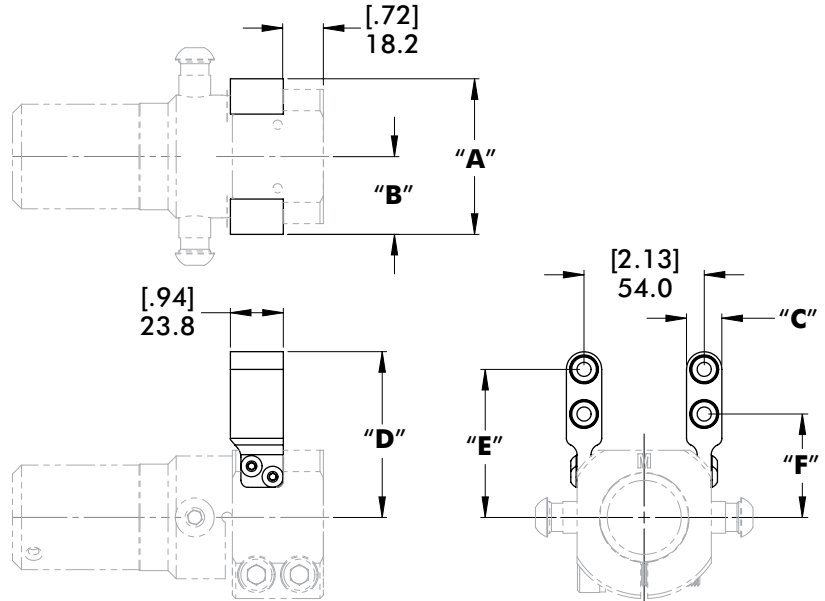
EXTERNAL AIR MANIFOLDS

Manual Tool Changers | RDC-40/150 Series Bayonets | Dimensions

4-Port External Air Connection

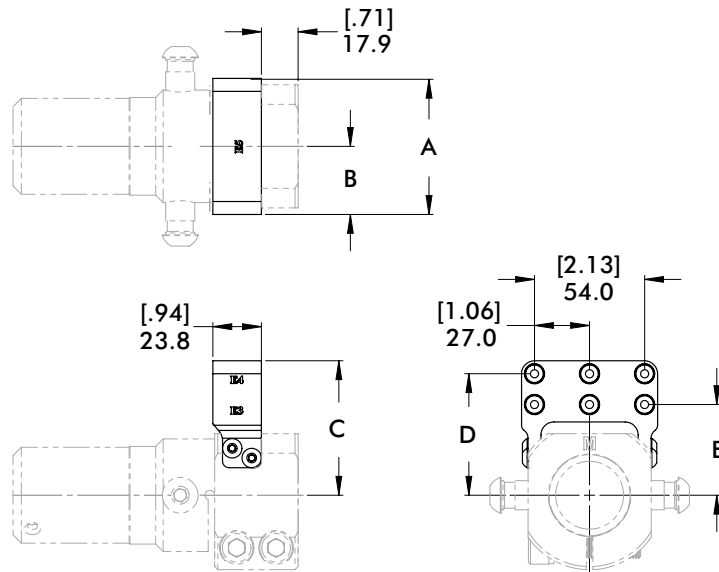
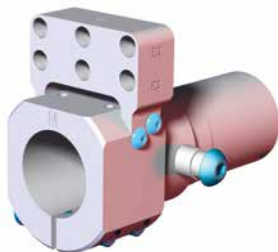


(2) Required



ORDER OPTION	REPLACEMENT PART	"A"	"B"	"C"	"D"	"E"	"F"	WEIGHT
"E4" (Standard High Flow)	CPI-RDC-40-4-HF	[2.75] 69.9	[1.38] 34.9	[1.56] 39.6	[3.00] 76.1	[2.62] 66.6	[1.83] 46.5	[2.90 lb] 1.32 kg
(Replacement for "E4" Legacy Applications only)	CPI-RDC-40-4	[2.63] 66.7	[1.30] 32.9	[1.22] 31.0	[2.66] 67.5	[2.34] 59.5	[1.75] 44.4	[2.89 lb] 1.31 kg

6-Port External Air Connection

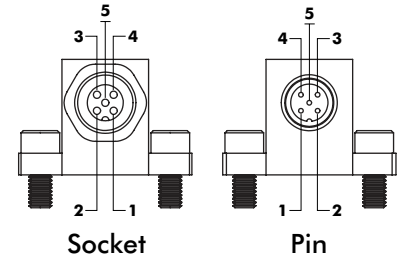
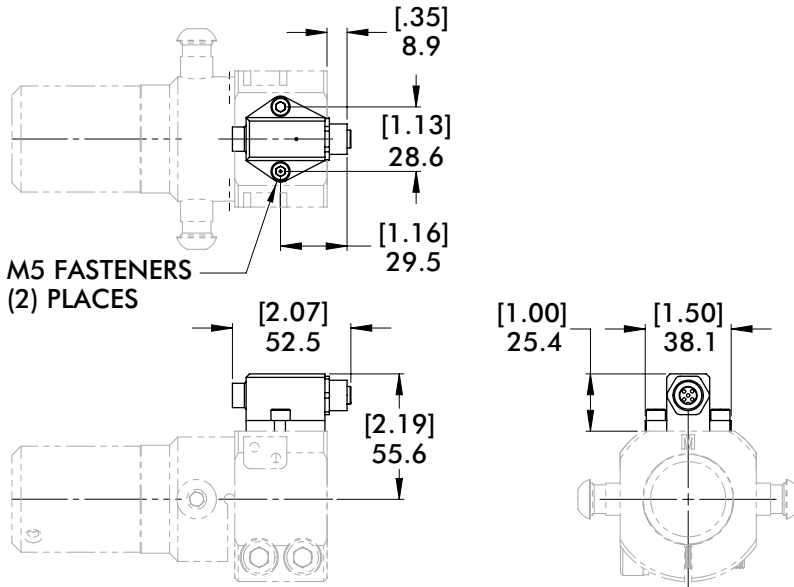


ORDER OPTION	REPLACEMENT PART	"A"	"B"	"C"	"D"	"E"
(Replacement for "E6" Legacy Applications only)	RDC-40-4-6PA	[2.61] 66.3	[1.31] 33.4	[2.59] 65.9	[2.34] 59.6	[1.75] 44.5
"E6" (Standard High Flow)	RDC-40-E6-HF	[2.75] 69.9	[1.38] 34.9	[3.12] 79.2	[2.62] 66.5	[1.83] 46.5

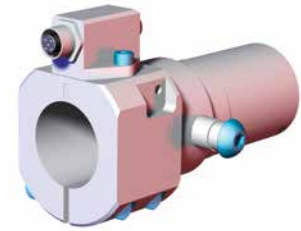
ELECTRICAL CONNECTORS

Manual Tool Changers | RDC-40/150 Series Bayonets | Dimensions

MC 5-Pin Micro Electric Connection



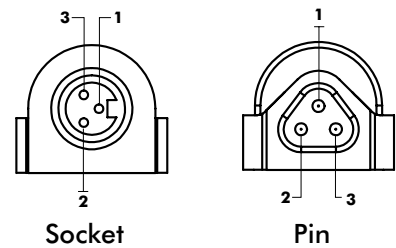
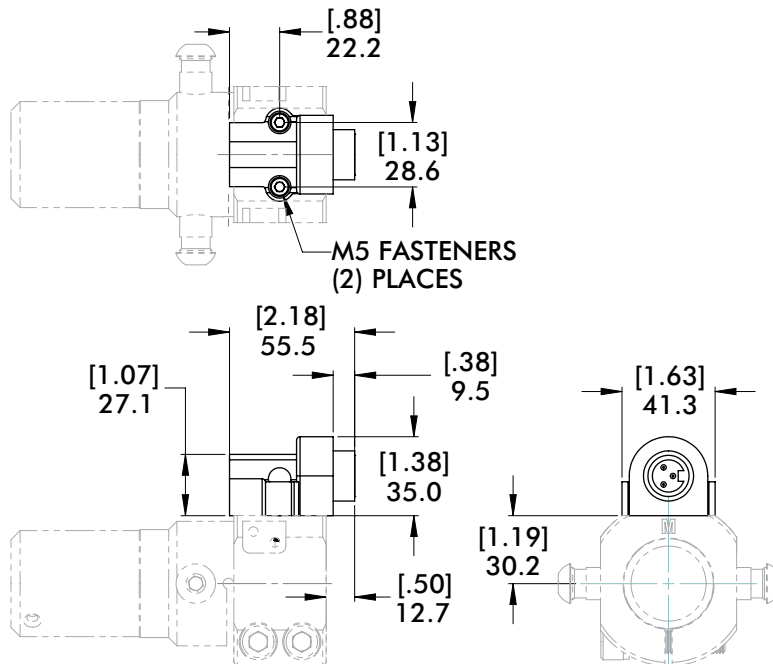
SOCKET #1	PIN #1
SOCKET #2	PIN #2
SOCKET #3	PIN #3
SOCKET #4	PIN #4
SOCKET #5	PIN #5



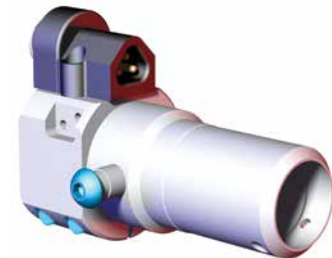
REPLACEMENT PART

CPI-RDB-M5P-5MCF

MN 3-Pin Mini Electric Connection



SOCKET #1	PIN #1
SOCKET #2	PIN #2
SOCKET #3	PIN #3



REPLACEMENT PART

CPI-TTB-M3P-3B3

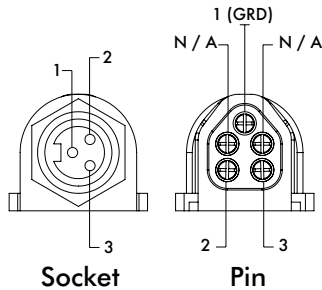
ELECTRICAL CONNECTORS

Manual Tool Changers | RDC-40/150 Series Bayonets | Dimensions

MNF 5-Pin Mini Electric Connection



CPI-RDC-40-M5P-3MNF

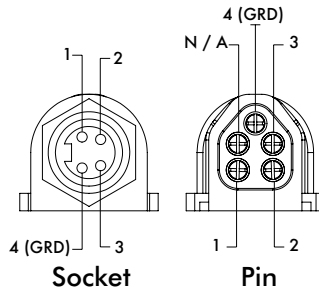


SOCKET #1	GREEN	PIN #1
SOCKET #2	BLACK	PIN #2
SOCKET #3	WHITE	PIN #3
		N / A
		N / A

PLUG COLOR: BLACK

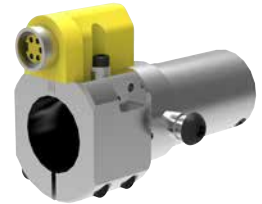


CPI-RDC-40-M5P-4MNF

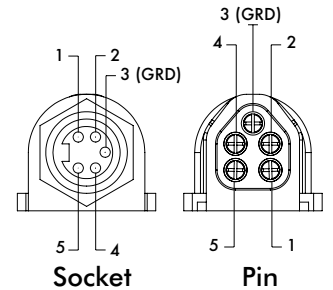


SOCKET #1	BLACK	PIN #1
SOCKET #2	WHITE	PIN #2
SOCKET #3	RED	PIN #3
SOCKET #4	GREEN	PIN #4
		N / A

PLUG COLOR: GREEN

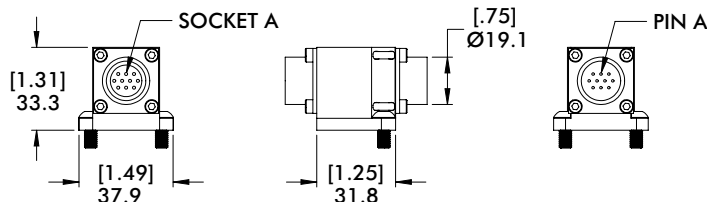
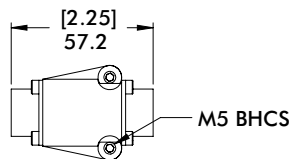
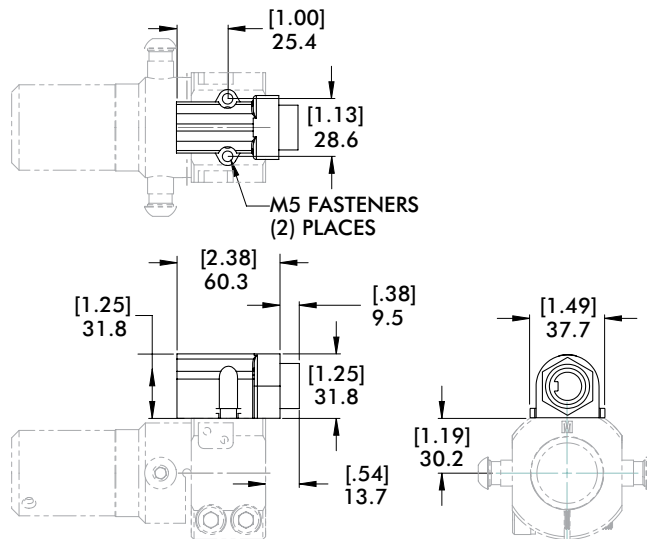


CPI-RDC-40-M5P-5MNF



SOCKET #1	WHITE	PIN #1
SOCKET #2	RED	PIN #2
SOCKET #3	GREEN	PIN #3
SOCKET #4	ORANGE	PIN #4
SOCKET #5	BLACK	PIN #5

PLUG COLOR: YELLOW



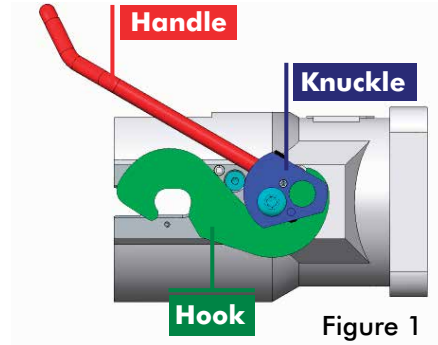
10-Pin Electric Connection



REPLACEMENT PART
CPI-RDC-40-5-10

RDN-25 SERIES DISCONNECT HOUSING

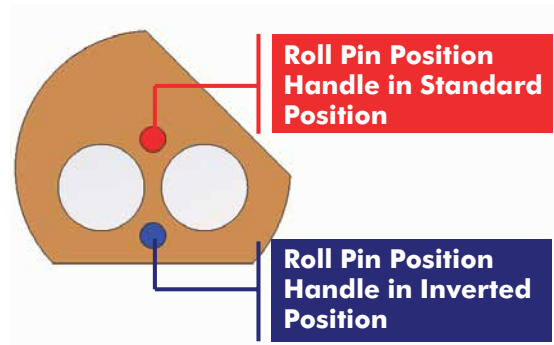
Manual Tool Changers | Instructions for Inverting the Disconnect Locking Handle



If the handle of the Quick Disconnect Housing interferes with other equipment, it can be inverted and accessed from below the housing. In the inverted position, the hooks and housing remain in the upright position.

1. Loosen the set screw at the base of the handle in each knuckle.
2. Unscrew the button head screw from each knuckle, then remove the handle. (See Figure 1)
3. Slide knuckles and hooks off the main body of the housing. (See Figure 1)
4. Slide hook off each knuckle.
5. Remove the roll pin in each knuckle and insert a 3/16 x 5/16 pin into the hole for the inverted handle position, as shown. (See Figure 2)
6. Rotate each knuckle 180° from previous position and reinstall the hooks. Return the knuckle/hook sub-assembly to the housing.
7. Reinstall handle in the inverted position and tighten set screws. (See Figure 3)

Figure 2 - Housing Knuckle



To order RDN-25 housing with handle in Inverted Position, add "-INV" to the end of order number

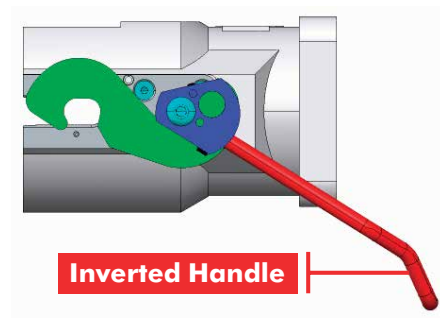
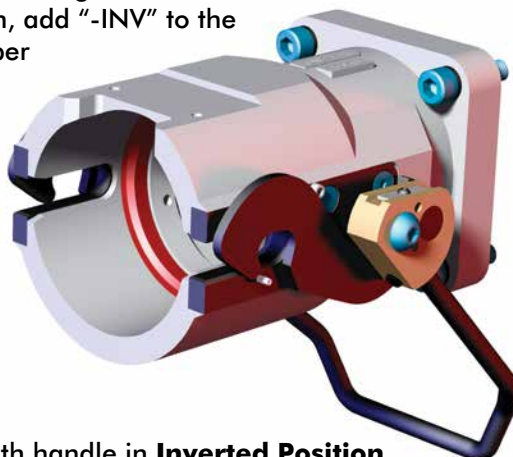


Figure 3

RDN-25 DISCONNECT HOUSING

Manual Tool Changers | RDC-25/60 Series Bayonets | Product Overview

Features:

- 89mm [3.50 in.] Sq. Flange Mtng.
- Steel handle actuation allows quick and accurate installation, pulling the bayonet into a fixed position within the housing. This action also engages optional air and electric connectors.
- Internal urethane rings eliminate vibration and seat the bayonet securely.

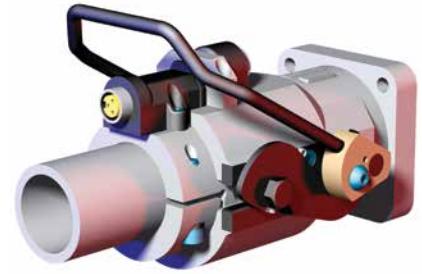
Specifications:

Max. Static Product Load:
949 N*m [700 ft-lb]

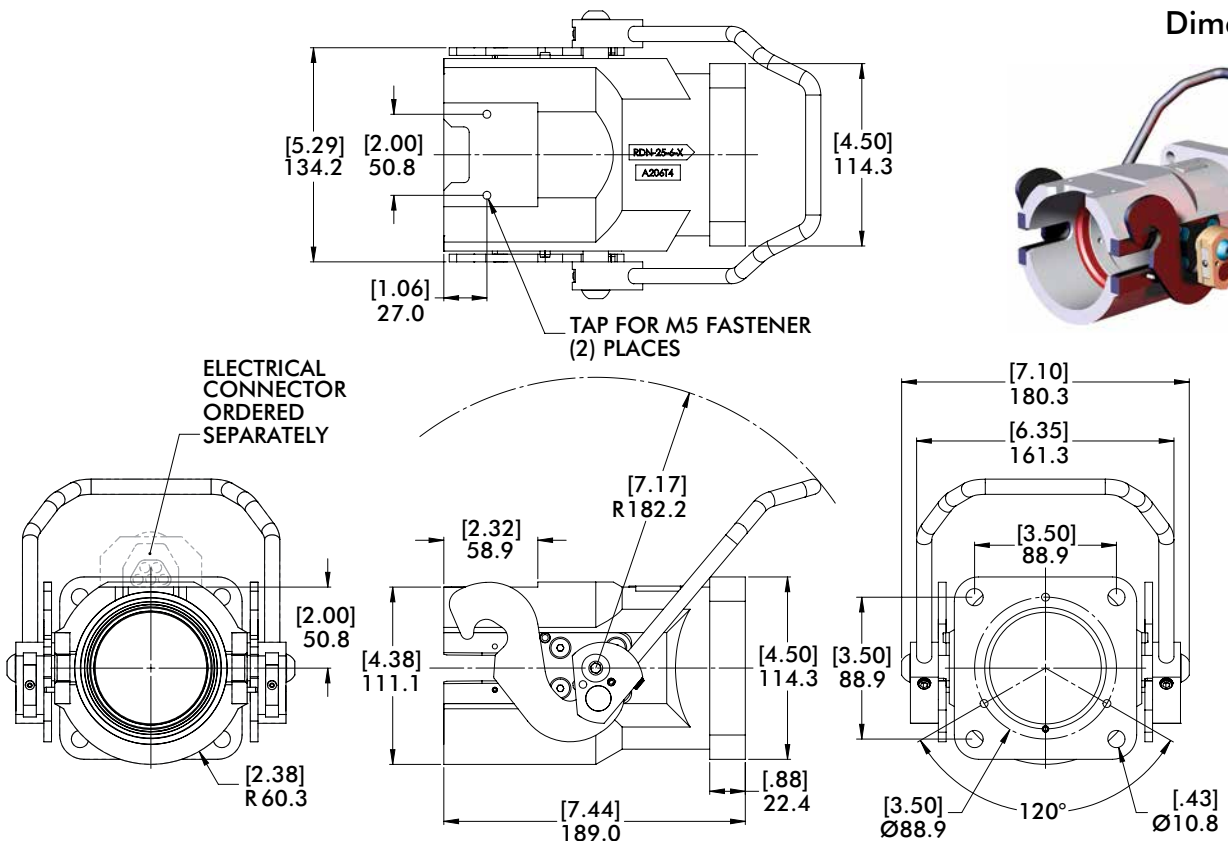
Material:

Body: Aluminum
Knuckles: Brass
Handle and Hooks: Steel
Inserts: Urethane

Weight:
4.00 kg [8.90 lb]



Dimensions



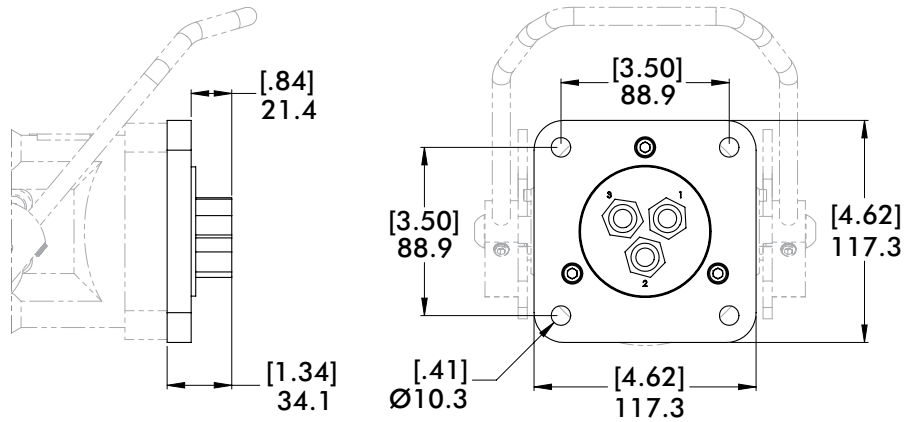
How To Order

Model	Air Port Connection A3 (3 Port) or A6 (6-Port) "O(x)" = (Qty) of Open Ports / "S(x)" = (Qty) of Shutoff Ports	Electrical Mounting
CPI — RDN-25-6	A3-O1-S2	EL10
"RDN-25-6" Ø60mm/2.50" Quick Disconnect Housing	"A3-O0-S3" (0)Open-(3)Shutoff "A3-O1-S2" (1)Open-(2)Shutoff "A3-O2-S1" (2)Open-(1)Shutoff "A3-O3-S0" (3)Open-(0)Shutoff	"A6-O0-S6" (0)Open-(6)Shutoff "A6-O1-S5" (1)Open-(5)Shutoff "A6-O2-S4" (2)Open-(4)Shutoff "A6-O3-S3" (3)Open-(3)Shutoff "A6-O4-S2" (4)Open-(2)Shutoff "A6-O5-S1" (5)Open-(1)Shutoff "A6-O6-S0" (6)Open-(0)Shutoff
		Mounting for Large Connectors (Leave blank for Standard Mounting)

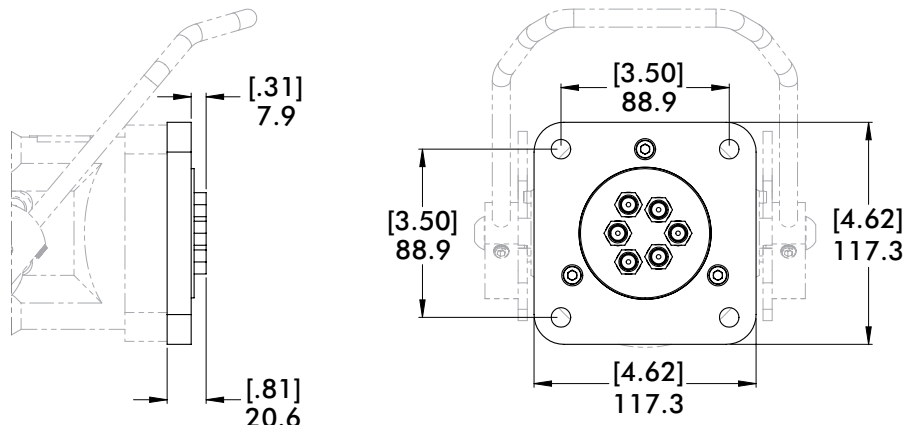
AIR PORTS AND ELECTRICAL CONNECTIONS

Manual Tool Changers | RDN-25 Flange Mount Disconnect Housings | Dimensions

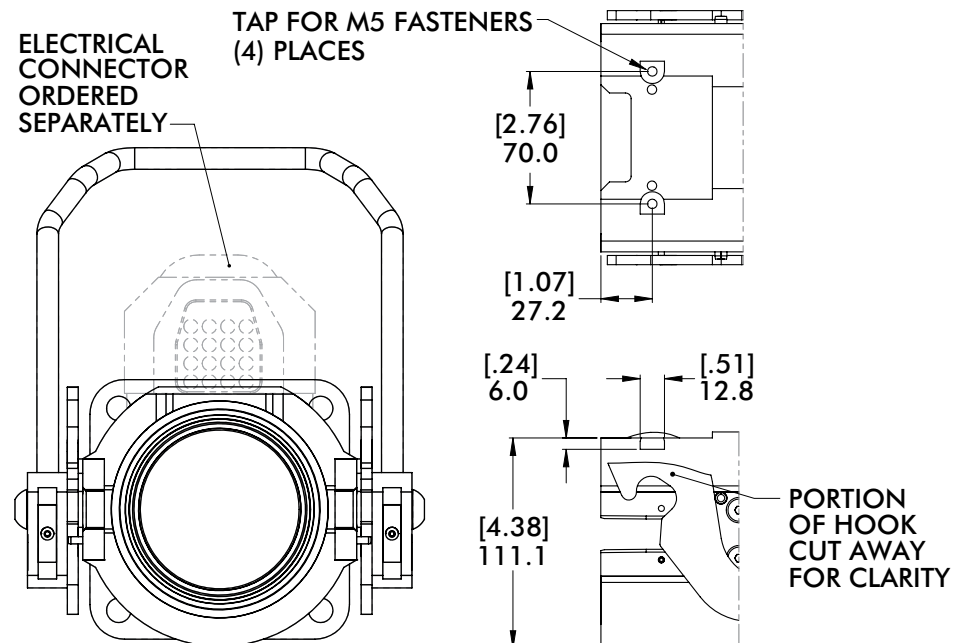
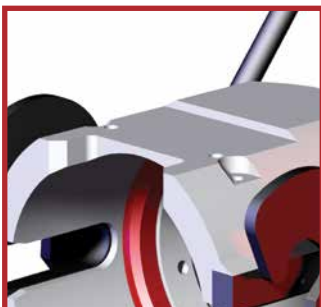
A3 3-Port Internal Air Connection with Shutoff Option



A6 6-Port Internal Air Connection with Shutoff Option

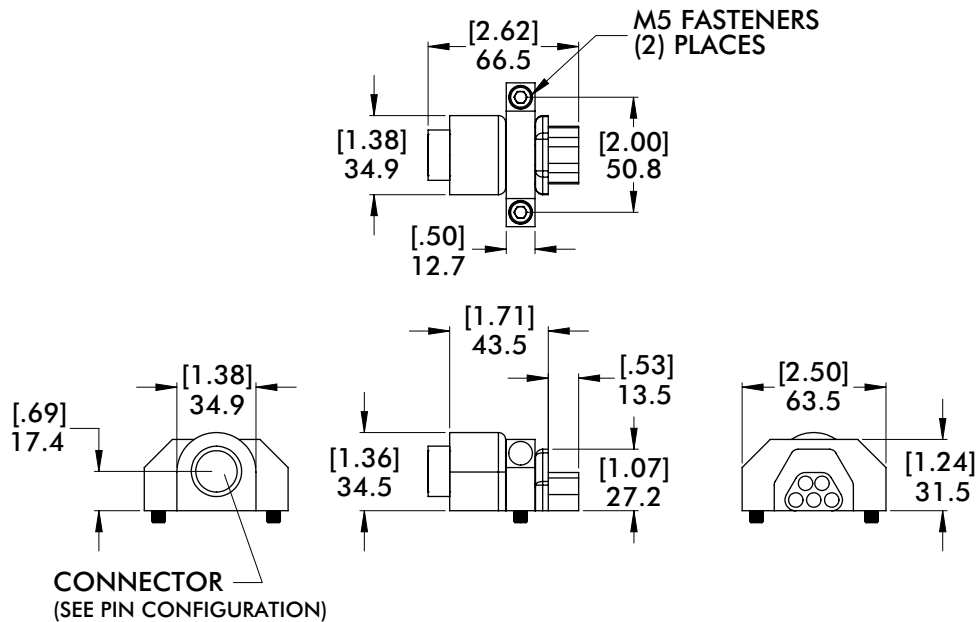


EL10 Mounting for Large Electric Connection

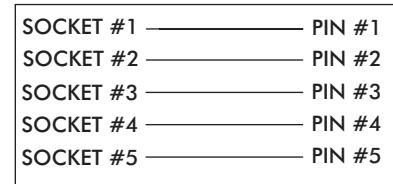
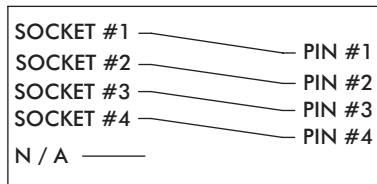
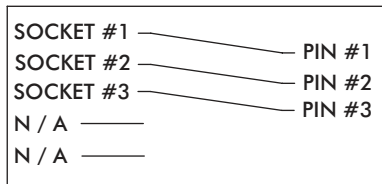
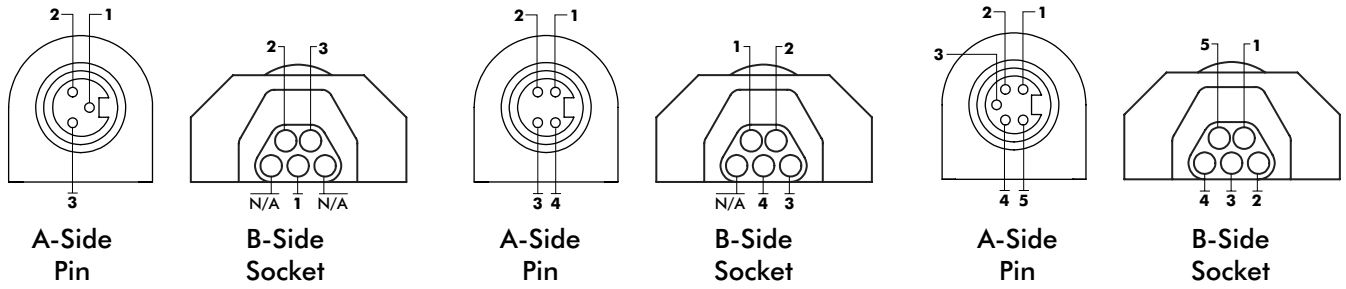


ELECTRICAL CONNECTIONS

Manual Tool Changers | RDN-25 Series Disconnect Housings | Dimensions



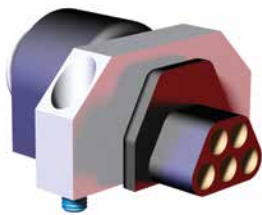
5 Pin Connectors for Housing - Standard Pin Configurations



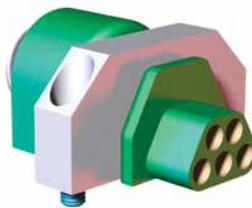
3-Pin to 5-Pin Connector	
A-Side	3-Pin, Single Key
B-Side	5-Pin, Male Plug, Female Socket

4-Pin to 5-Pin Connector	
A-Side	4-Pin, Single Key
B-Side	5-Pin, Male Plug, Female Socket

5-Pin to 5-Pin Connector	
A-Side	5-Pin, Single Key
B-Side	5-Pin, Male Plug, Female Socket



MODEL NUMBER
CPI-RDH-F5S-3B3



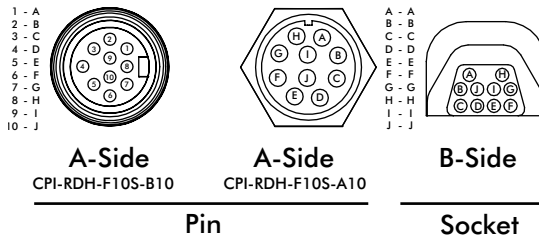
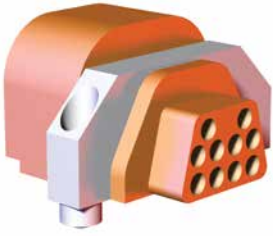
MODEL NUMBER
CPI-RDH-F5S-4B4



MODEL NUMBER
CPI-RDH-F5S-5B5

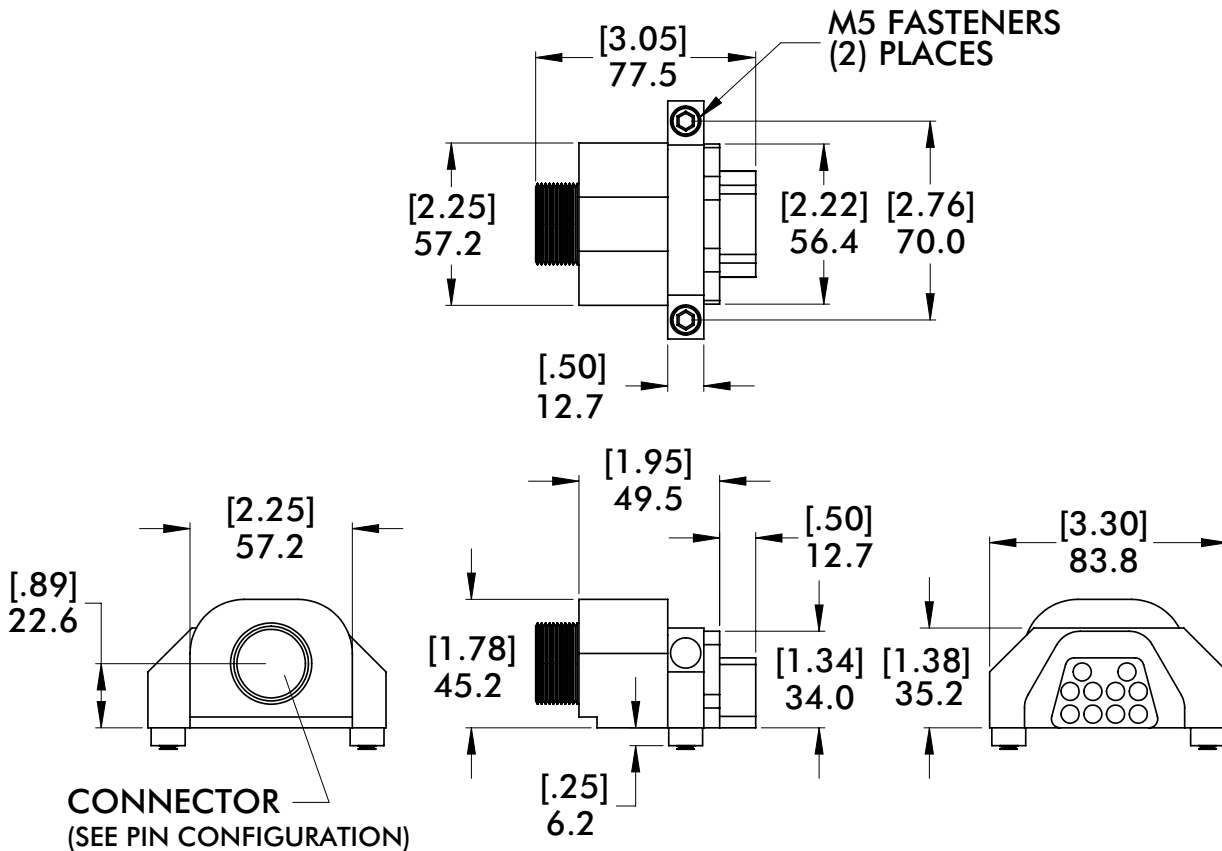
ELECTRICAL CONNECTIONS

Manual Tool Changers | RDN-25 Series Disconnect Housings | Dimensions



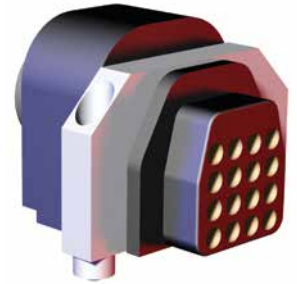
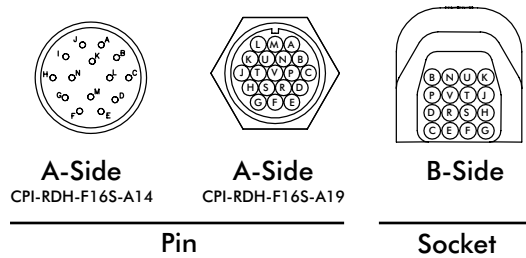
10 Pin Configuration

Model Number	A-Side	B-Side
CPI-RDH-F10S-A10	10-Pin	10-Pin, Male Plug, Female Socket
CPI-RDH-F10S-B10	10-Pin	



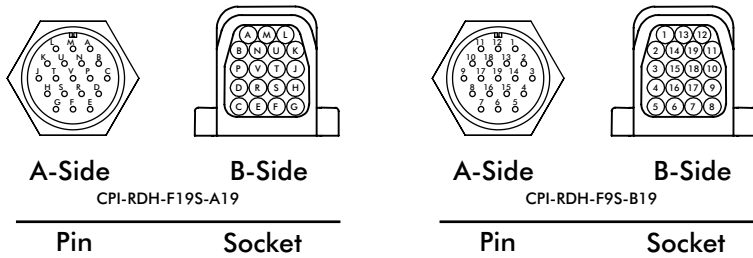
ELECTRICAL CONNECTIONS

Manual Tool Changers | RDN-25 Series Disconnect Housings | Dimensions



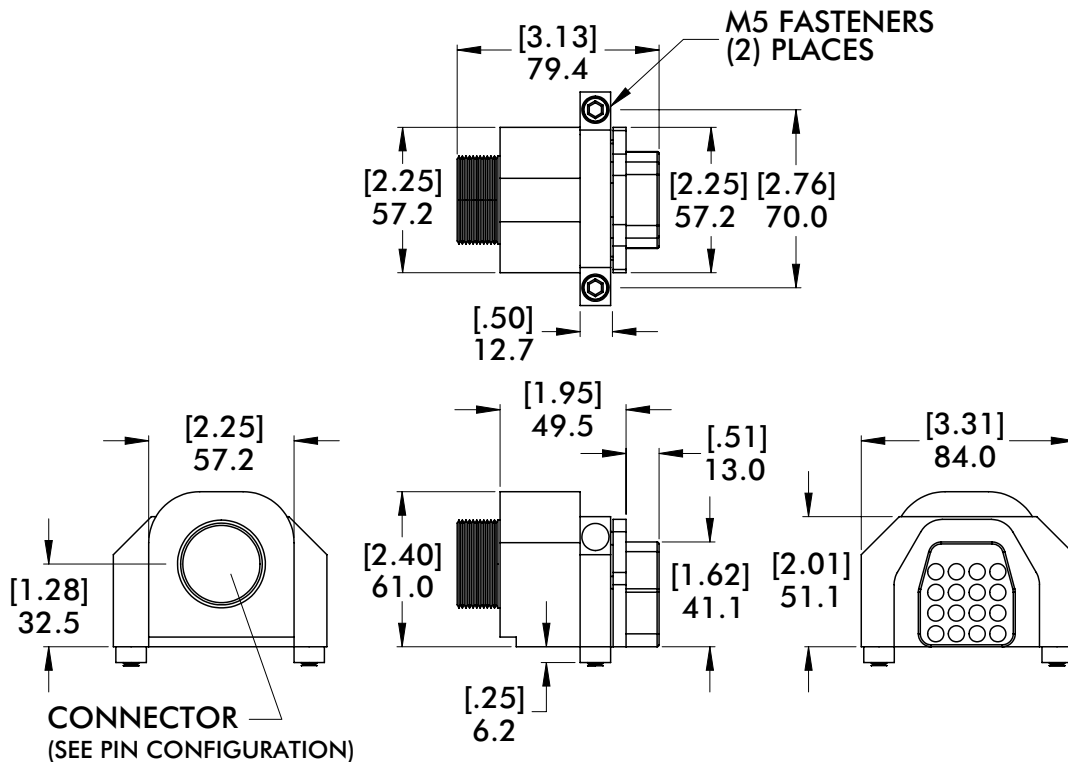
16 Pin Configuration

Model Number	A-Side	B-Side
CPI-RDH-F16S-A19	19-Pin	16-Pin, Male Plug, Female Socket
CPI-RDH-F16S-A14	14-Pin	



19 Pin Configuration

Model Number	A-Side	B-Side
CPI-RDH-F19S-A19	19-Pin	19-Pin, Male Plug, Female Socket
CPI-RDH-F19S-B19	19-Pin	



RDC SERIES BAYONETS

Manual Tool Changers | 2.5"/60mm Diameter Booms | Product Overview

Features:

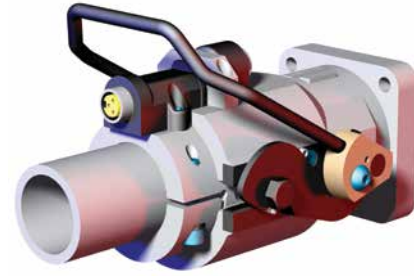
- Used in conjunction with the Quick Disconnect Housing to provide an efficient mode of changing tools manually.
- (2) Hardened alignment pins allows quick and accurate installation into the housing.
- Optional "EL10" machined surface for large electrical connectors.

Specifications:

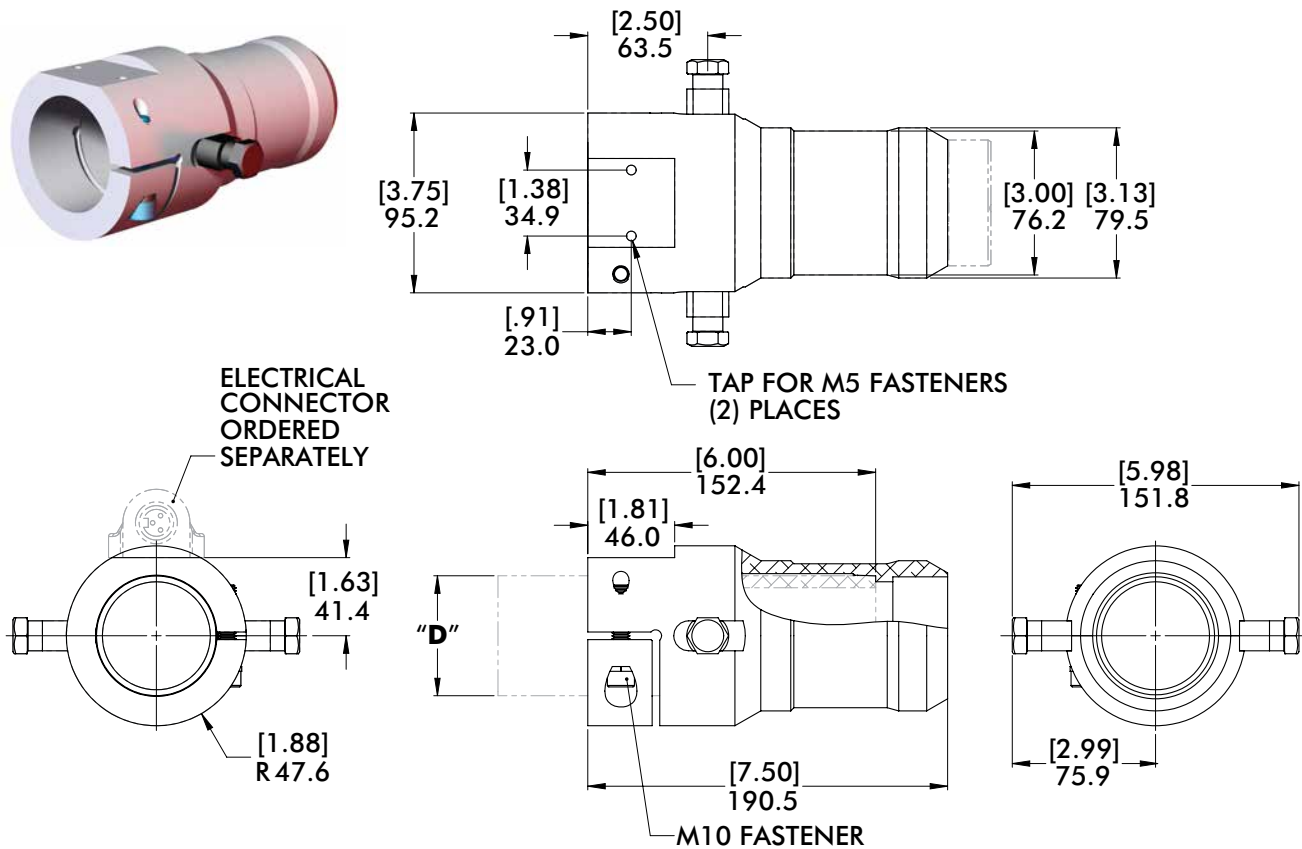
Max. Static Product Load:
678 N*m [500 ft-lb]

Material:
Body: Aluminum
Pins: Steel

Weight:
1.6 kg [3.5 lb]



Dimensions



How To Order

	Model	Boom/Tube (Ø) "D"	Version	Air Port Connection	Electrical Mounting
CPI	RDC	25	2	A3	EL10
	"RDC" Quick Disconnect Bayonet	"25" 2.50" (in) "60" 60mm	"2" Version 2	"A3" 3-Port "A6" 6-Port	Mounting for Large Connectors (Leave blank for Standard Mounting)

RDC SERIES BAYONETS

Manual Tool Changers | 2.50"/60mm Diameter High Torque Booms | Product Overview

Features:

- Extended clamp area increases the holding surface and torque capacity for high speed applications.
- (2) Hardened alignment pins allows quick and accurate installation into the bayonet.
- Optional "EL10" machined surface for large electrical connectors.

Specifications:

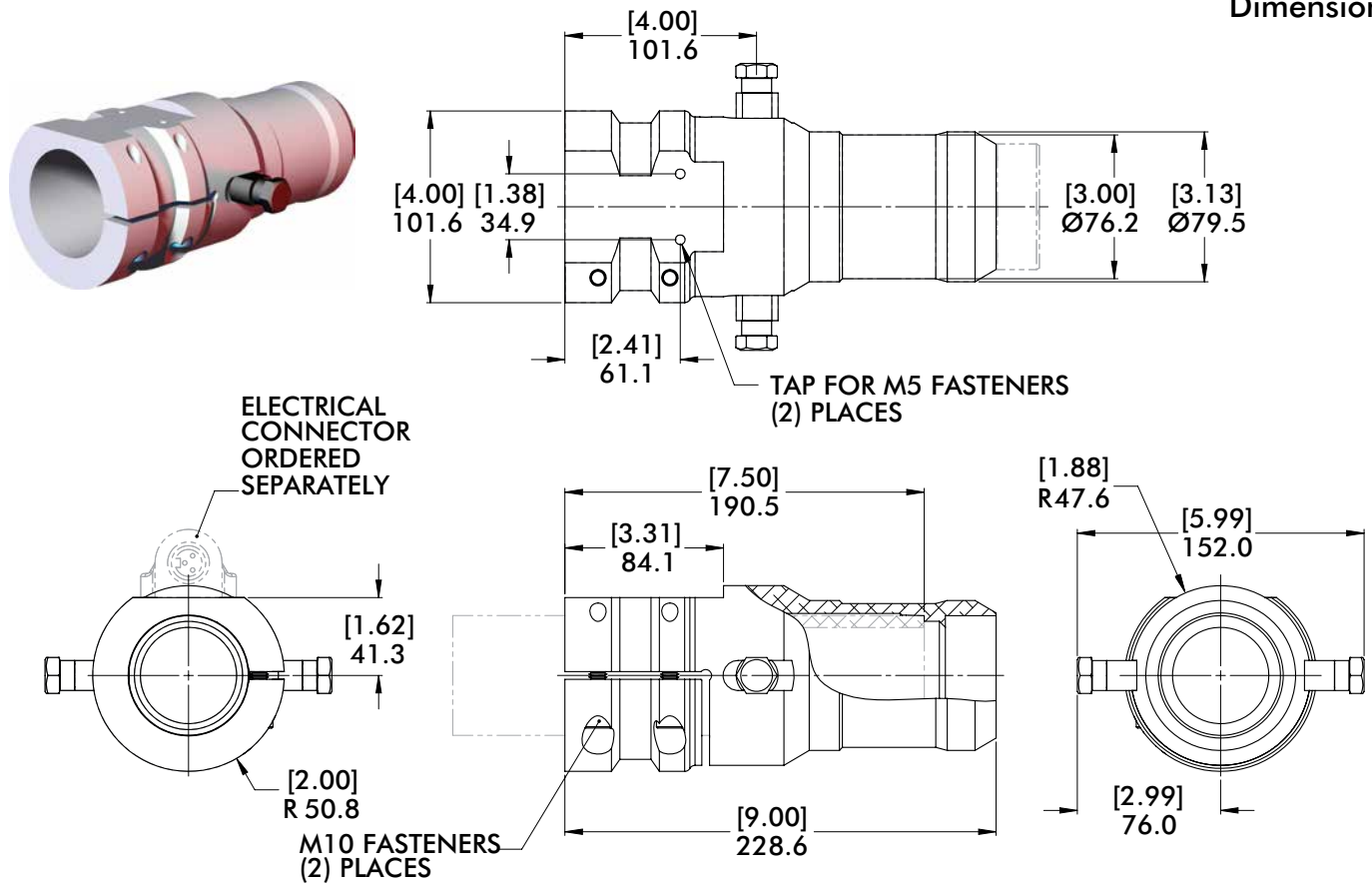
Max. Static Product Load:
949 N*m [700 ft-lb]

Material:
Body: Aluminum
Pins: Steel

Weight:
2.1 kg [4.7 lb]



Dimensions



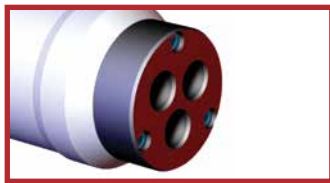
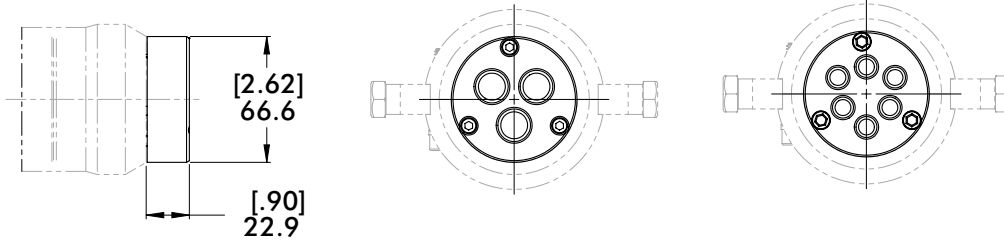
How To Order

CPI	Model	Boom/Tube (Ø) "D"	Version	Air Port Connection	Electrical Mounting
	RDC	25	2HT	A3	EL10
	"RDC" Quick Disconnect Bayonet	"25" 2.50"(in) "60" 60mm	"2HT" Version 2 Hi-Torque	"A3" 3-Port "A6" 6-Port	Mounting for Large Connectors (Leave blank for Standard Mounting)

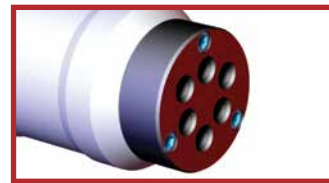
AIR PORTS AND ELECTRICAL CONNECTIONS

Manual Tool Changers | RDC-25/60 Series Bayonets | Dimensions

A3 3-Port/A6 6-Port Internal Air Connection



"A3" 3-Port Internal Air Connection



"A6" 6-Port Internal Air Connection

REPLACEMENT PART

CPI-BC-250-3-U38 (3/8 NPT ports)

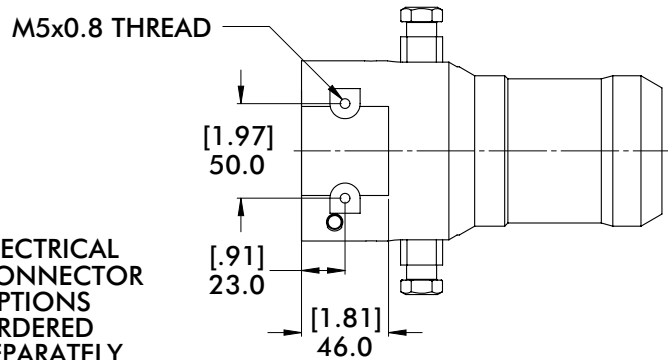
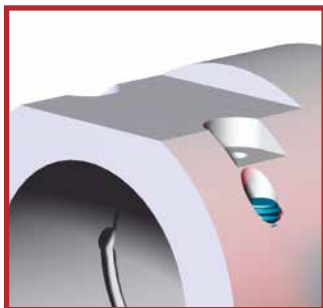
CPI-BC-60-3-G38 (G3/8 ports)

REPLACEMENT PART

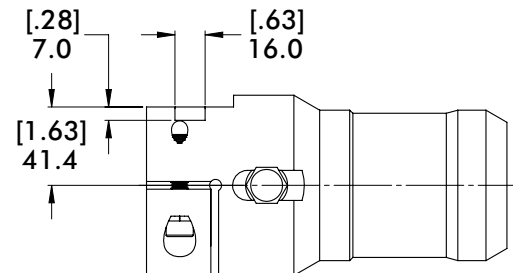
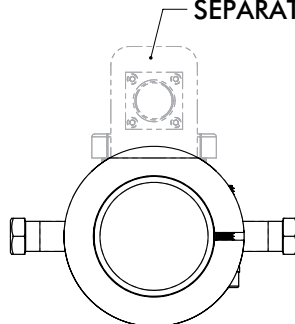
CPI-BC-250-6-U18 (1/8 NPT ports)

CPI-BC-60-6-G18 (G1/8 ports)

EL10 Mounting for Large Electric Connection

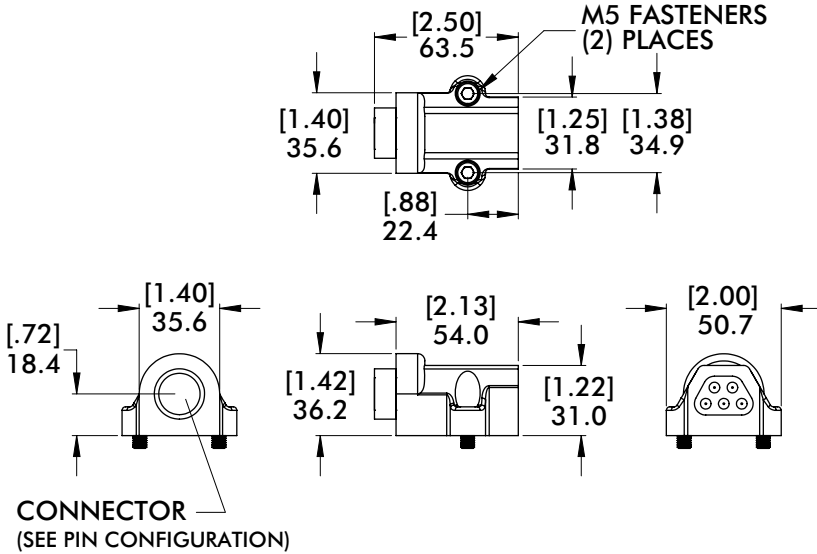


ELECTRICAL CONNECTOR OPTIONS ORDERED SEPARATELY

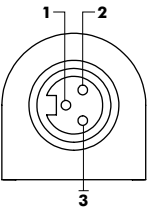


ELECTRICAL CONNECTIONS

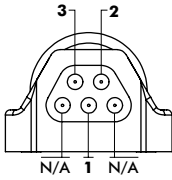
Manual Tool Changers | RDC-25/60 Series Bayonets | Dimensions



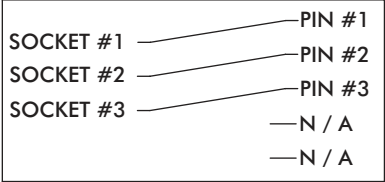
5 Pin Connectors for Bayonet (Tool Side)- Standard Pin Configurations



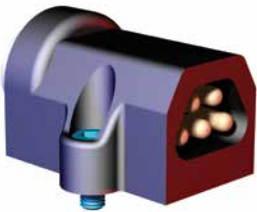
A-Side Socket



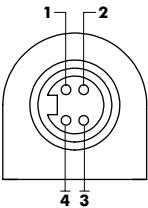
B-Side Pin



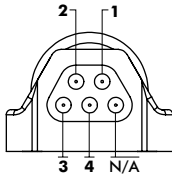
3-Pin to 5-Pin Connector	
A-Side	3-Pin, Single Key
B-Side	5-Pin, Male Pin, Female Plug



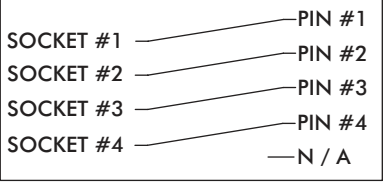
MODEL NUMBER
CPI-RDB-M5P-3B3



A-Side Socket



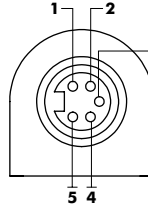
B-Side Pin



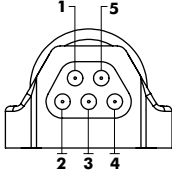
4-Pin to 5-Pin Connector	
A-Side	4-Pin, Single Key
B-Side	5-Pin, Male Pin, Female Plug



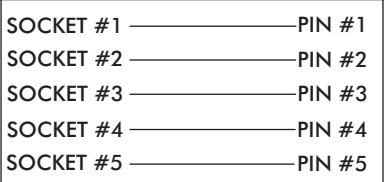
MODEL NUMBER
CPI-RDB-M5P-4B4



A-Side Socket



B-Side Pin



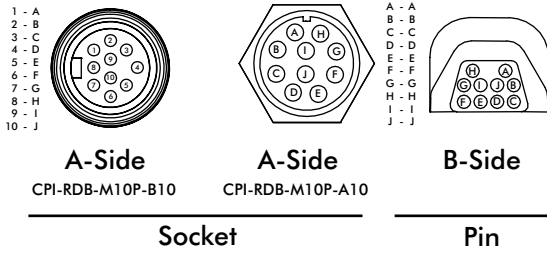
5-Pin to 5-Pin Connector	
A-Side	5-Pin, Single Key
B-Side	5-Pin, Male Pin, Female Plug



MODEL NUMBER
CPI-RDB-M5P-5B5

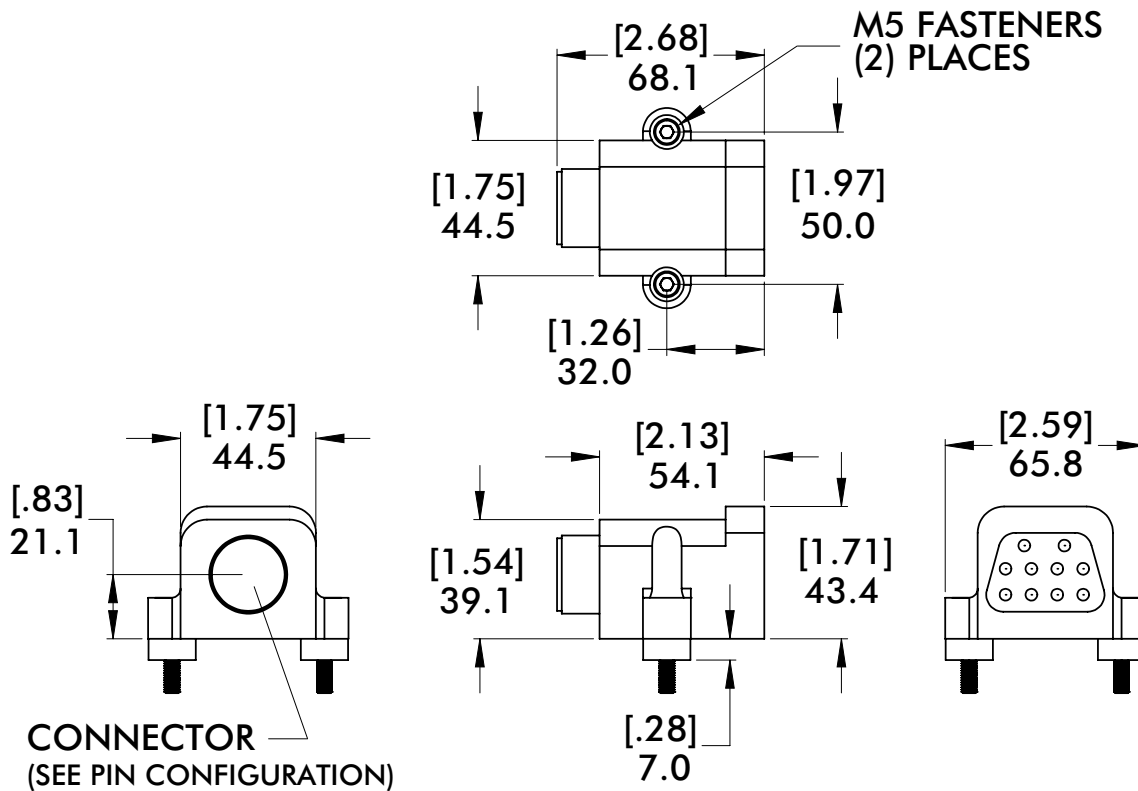
ELECTRICAL CONNECTIONS

Manual Tool Changers | RDC-25/60 Series Bayonets | Dimensions



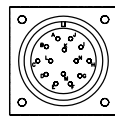
10 Pin Configuration

Model Number	A-Side	B-Side
CPI-RDB-M10P-A10	10-Pin	10-Pin, Male Pin,
CPI-RDB-M10P-B10	10-Pin	Female Plug



ELECTRICAL CONNECTIONS

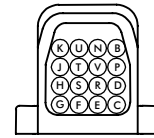
Manual Tool Changers | RDC-25/60 Series Bayonets | Dimensions



A-Side
CPI-RDB-M16P-A14



A-Side
CPI-RDB-M16P-A19



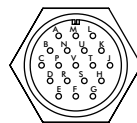
B-Side

Socket

Pin

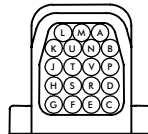
16 Pin Configuration

Model Number	A-Side	B-Side
CPI-RDB-M16P-A19	19-Pin	16-Pin, Male Pin, Female Plug
CPI-RDB-M16P-A14	14-Pin	

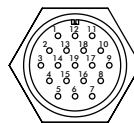


A-Side

CPI-RDB-M19P-A19

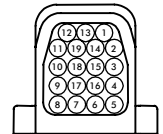


B-Side



A-Side

CPI-RDB-M19P-B19



B-Side

Socket

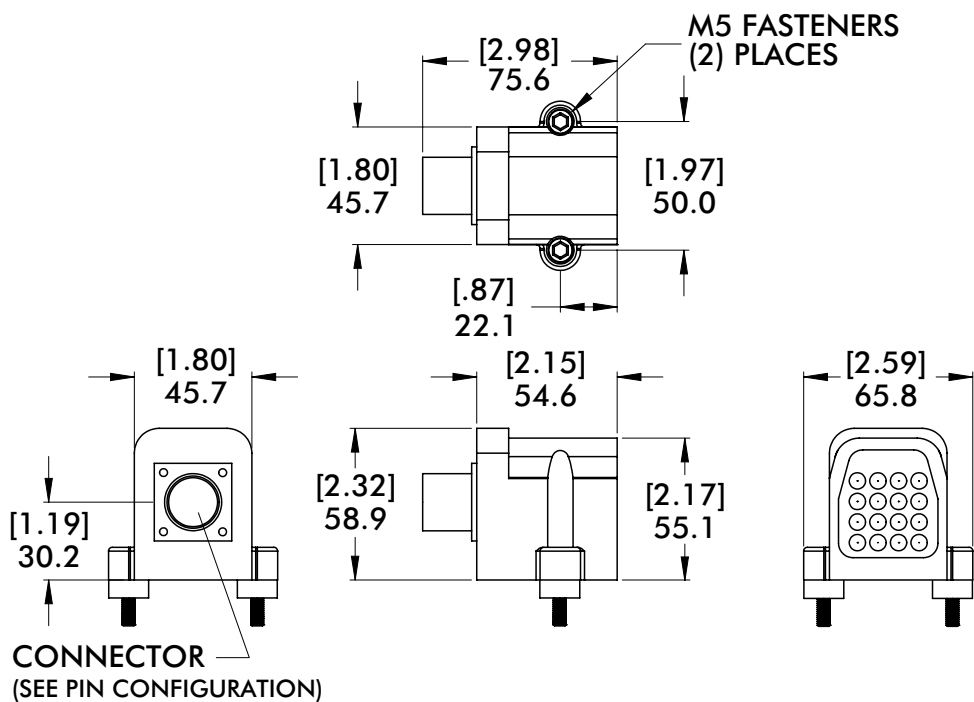
Pin

Socket

Pin

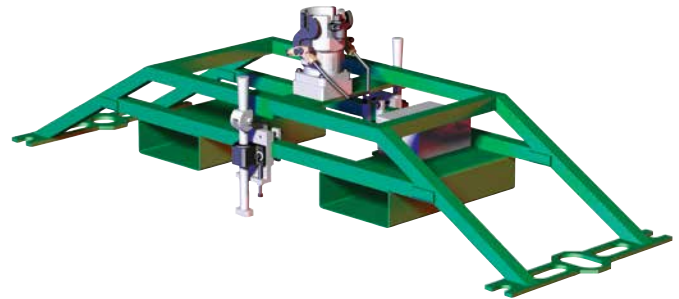
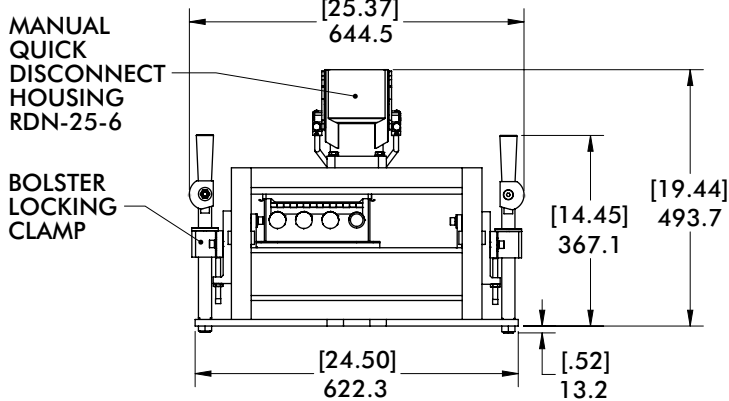
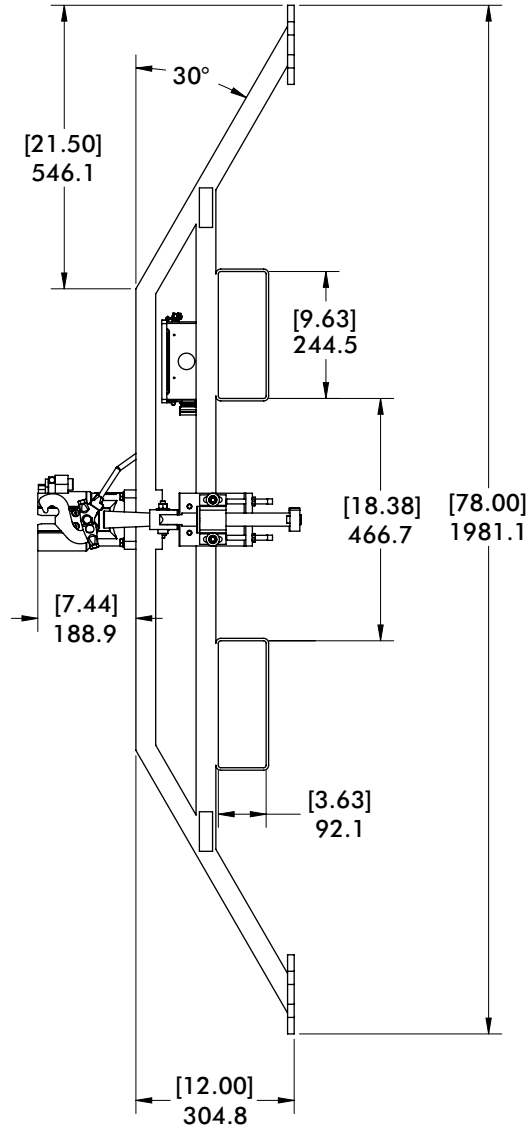
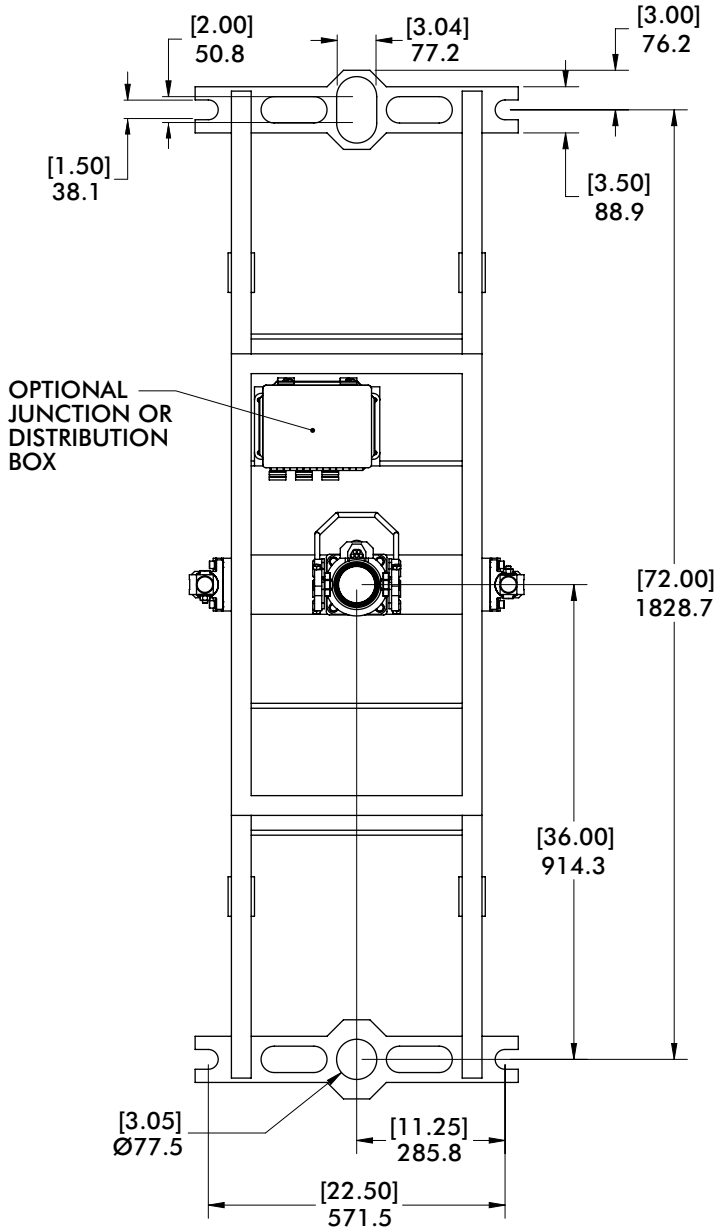
19 Pin Configuration

Model Number	A-Side	B-Side
CPI-RDB-M19P-A19	19-Pin	19-Pin, Male Pin, Female Plug
CPI-RDB-M19P-B19	19-Pin	

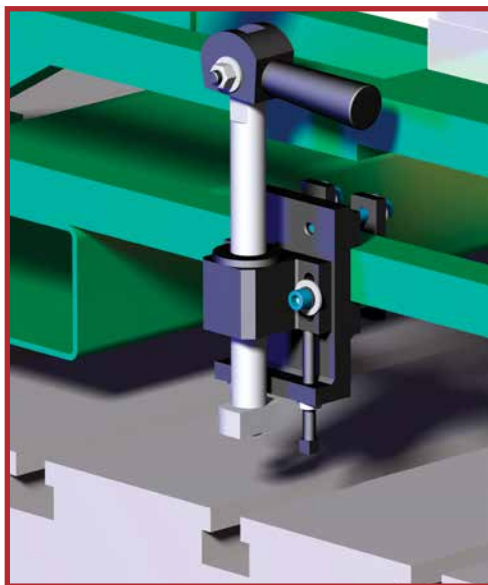
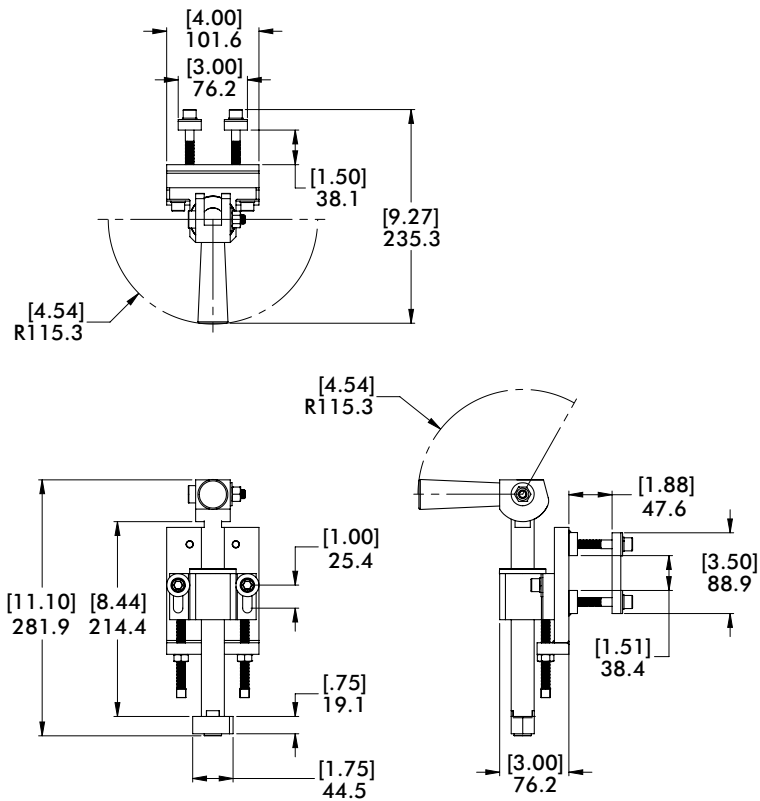


IDLE STATION

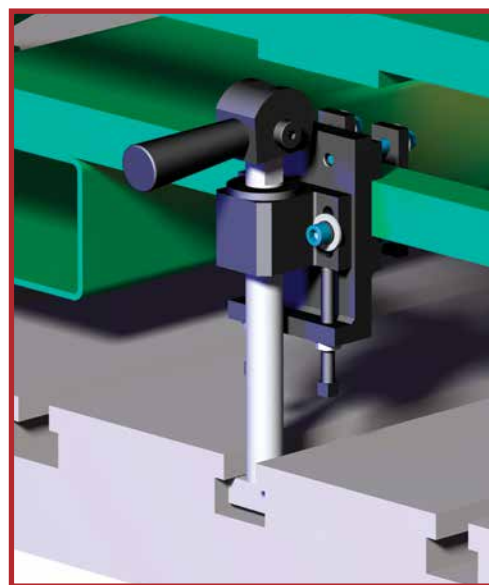
Automation Adaptors | (1) RDN-25-6 Disconnect Housings with Ability to be Fixed to Bolster | Dimensions



MODEL NUMBER	WEIGHT
CPI-PNS-ASSY	85.41 kg [188.30 lb]



Stored Position



In Use, Locked into Bolster

MODEL NUMBER

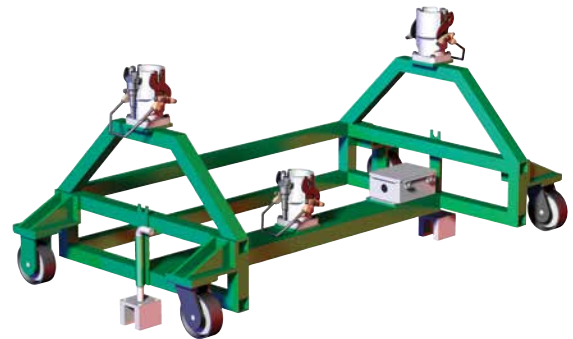
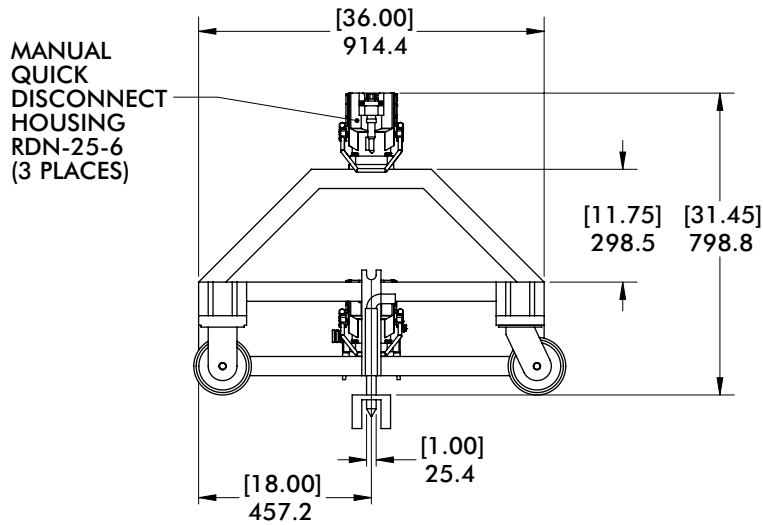
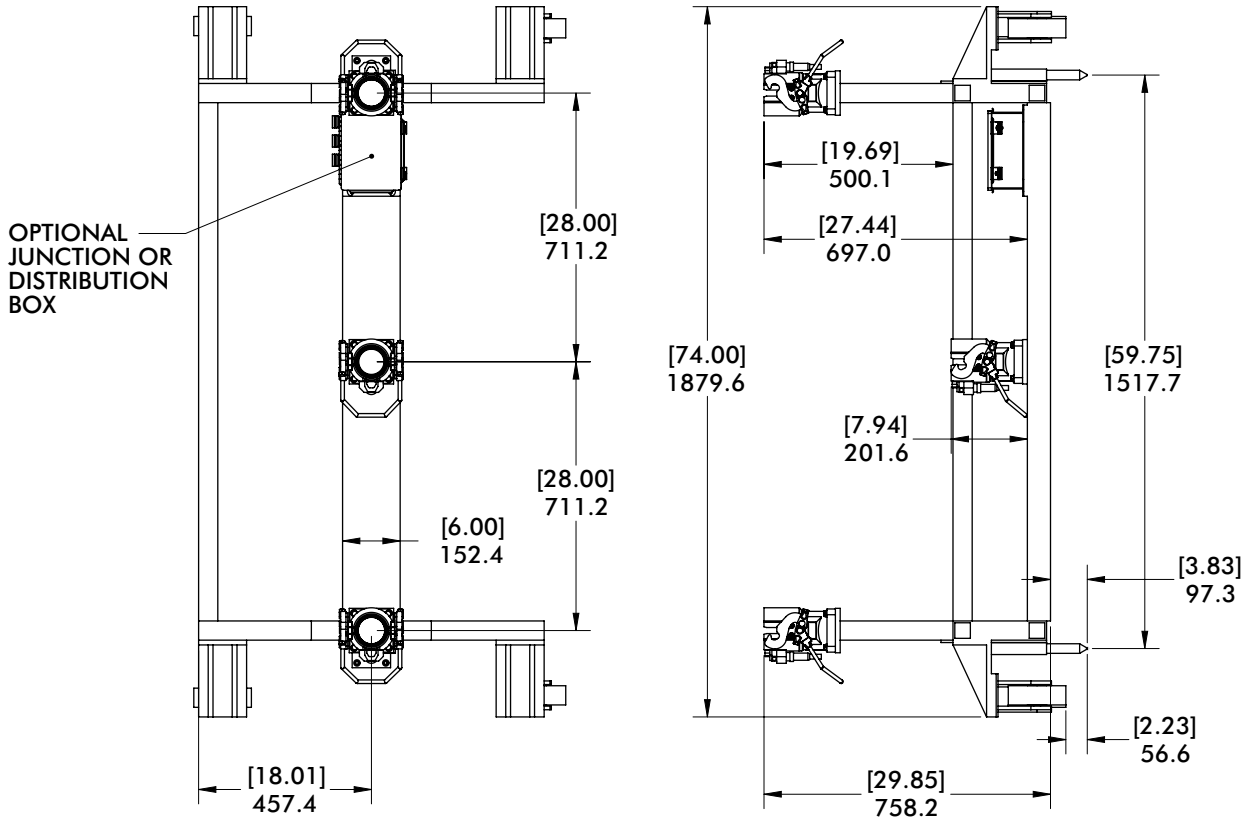
WEIGHT

CPI-BLC-100-15-6

5.50 kg [12.12 lb]

IDLE STATION

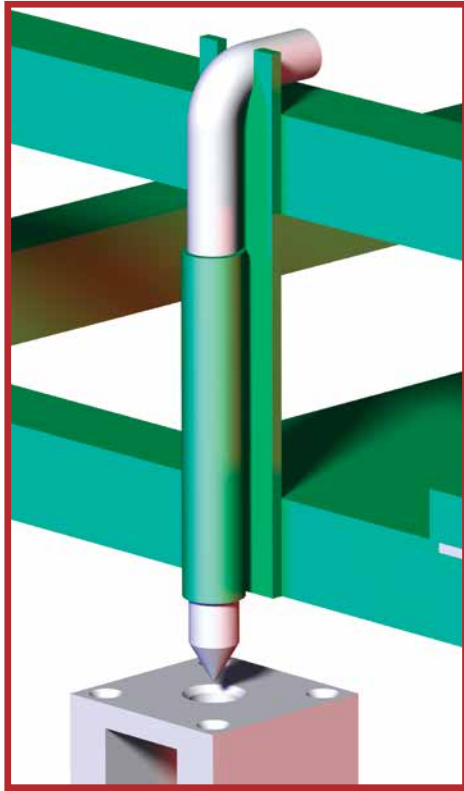
Automation Adaptors | (3) RDN-25-6 Disconnect Housings and Mobile Flexibility | Dimensions



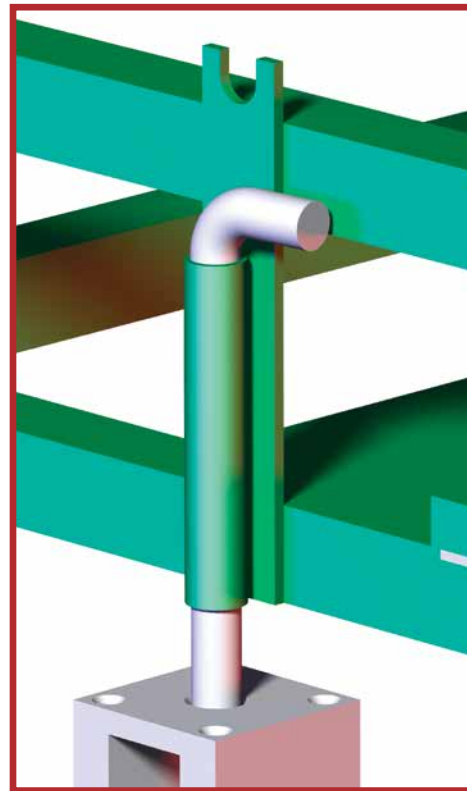
MODEL NUMBER	WEIGHT
CPI-INS-ASSY	182.67 kg [402.73 lb]

LOCKING PINS IDLE STATIONS

Automation Adaptors | Locking Pin | Operating Procedure















Stored Position



Engaged Position





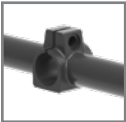






ACCELERATE[®] TOOLING COLLECTION

Table of Contents

	Split Saddle Tooling.....	3
	Blankload Crossbar Tooling.....	4
	Tool Booms.....	6
	Crossbar Saddles.....	7
	Flange Mount.....	9
	T-Clamps.....	9
	Ball Clamps.....	11
	Wrist Clamp.....	12
	Cross Clamps.....	12
	Parallel Clamps.....	15
	Apple Core Mounts.....	16
	Ball Extensions.....	16

ACCELERATE[®] TOOLING COLLECTION

Table of Contents

	Tri-Axis Adaptor Mounts.....	18
	Transfer Press Adaptors	19
	Transfer Press Bayonets	22
	One-Touch Finger Tools	22
	Double T-Clamp.....	23
	Lower Tooling.....	24
	Lower Nest Tooling.....	25
	Gripper Mounts.....	27
	Gripper Sensor Mounts.....	29
	Shovels	30
	Proximity Switch Mounts	31