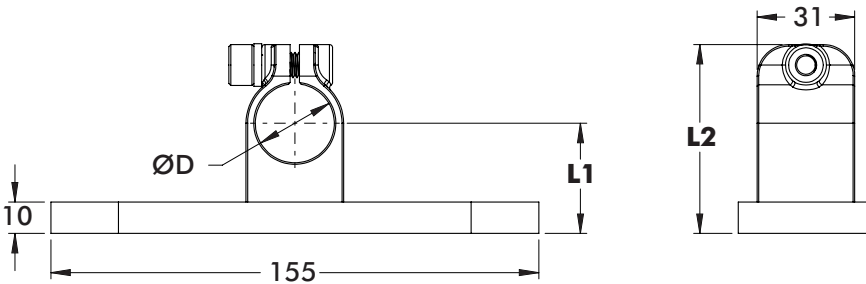
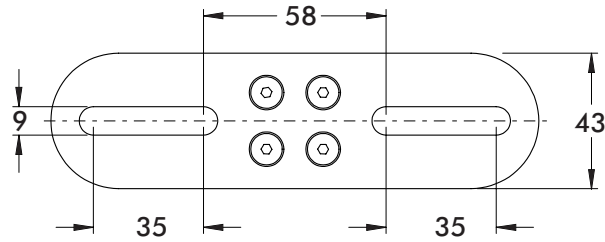


TPA SERIES

Accelerate® Tooling Collection | Dimensions

TPA Single Flange Mount

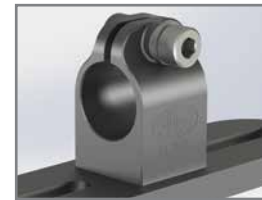


TPA-25-35

TPA-30-35



TPA-25-65
TPA-30-65

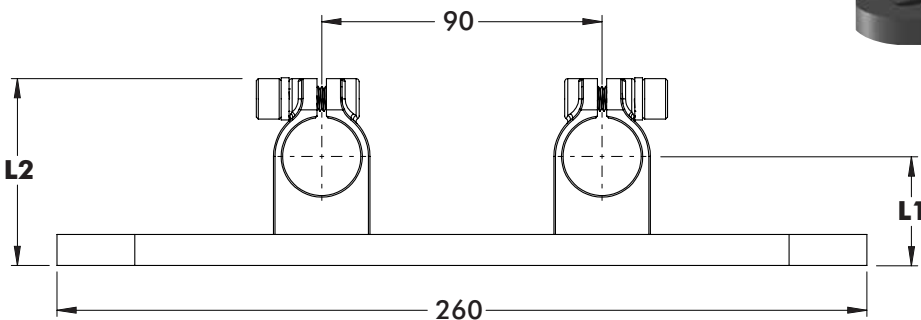
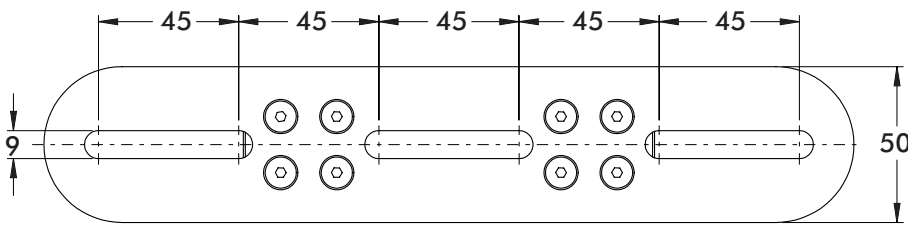


Configured 90°

Material: High Strength Aluminum

Model Number	L1	L2	ØD	Weight
TPA-20-35-LWT-A	35	60	20	234g [0.52 lb]
TPA-25-35-LWT-A	35	60	25	246g [0.54 lb]
TPA-25-65-LWT-A	63	88	25	322g [0.71 lb]
TPA-30-35-LWT-A	35	67	30	265g [0.58 lb]
TPA-30-65-LWT-A	63	95	30	361g [0.80 lb]

TPA Double Flange Mount



Material: High Strength Aluminum

Model Number	L1	L2	Weight
TPA-25-25-65-LWT-A	65	88	644g [1.42 lb]

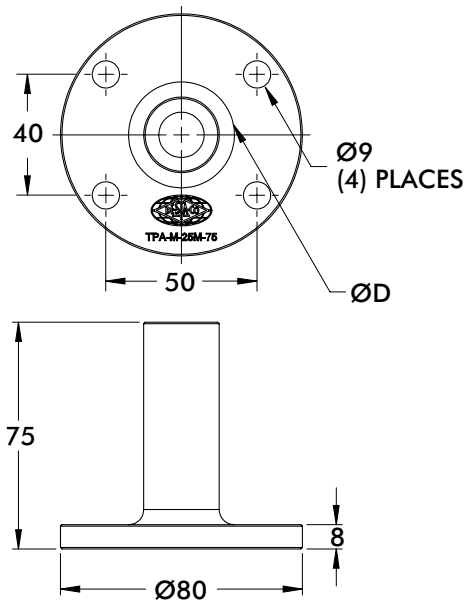


Configured 90°

TPA SERIES

Accelerate® Tooling Collection | Dimensions

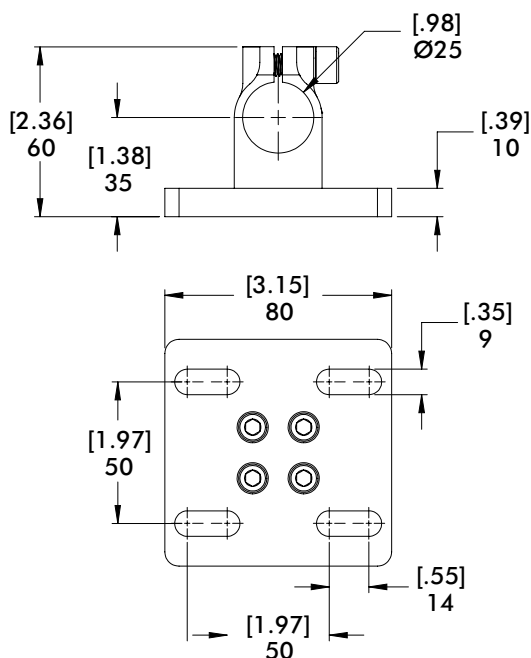
TPA Base Mount



Material: High Strength Aluminum

Model Number	$\varnothing D$	Weight
TPA-M-20M-75	20mm	151g [0.33 lb]
TPA-M-25M-75	25mm	164g [0.36 lb]

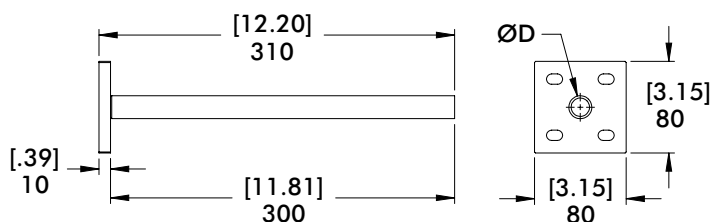
TPA 90° Base Clamp



Material: High Strength Aluminum

Model Number	Weight
TPA-G-25-35-A	258g [0.57 lb]

TPA Flange Extension



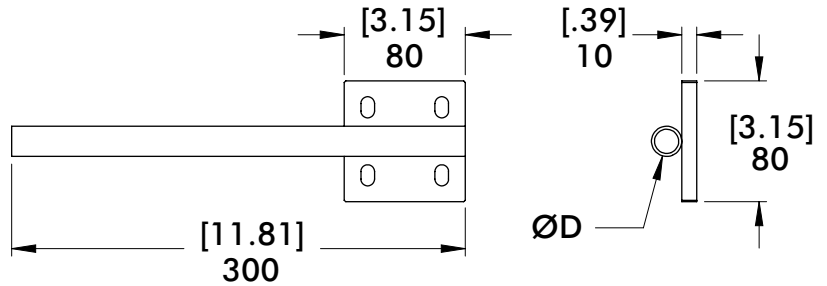
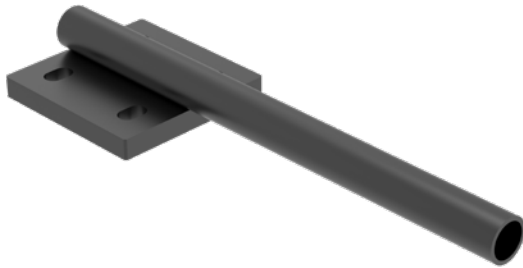
Material: Steel

Model Number	$\varnothing D$	Weight
TPA-00-20-300-GD	20mm	736g [1.62 lb]
TPA-00-25-300-GD	25mm	810g [1.79 lb]
TPA-00-30-300-GD	30mm	884g [1.95 lb]

TPA SERIES

Accelerate® Tooling Collection | Dimensions

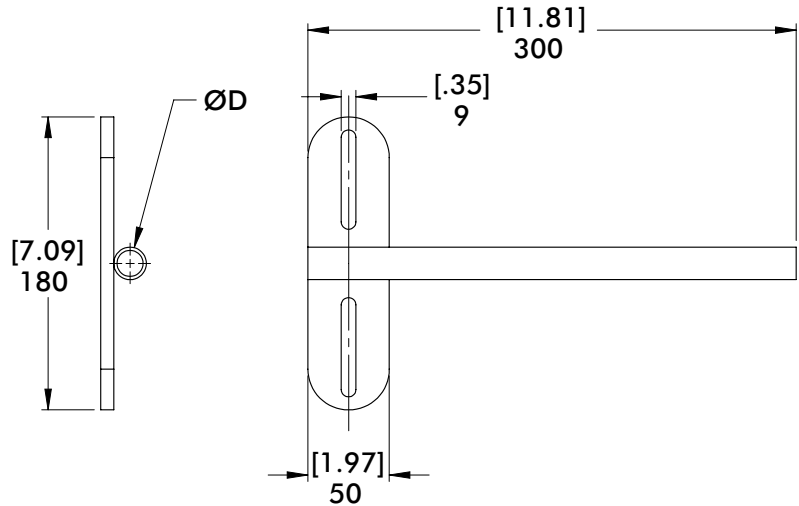
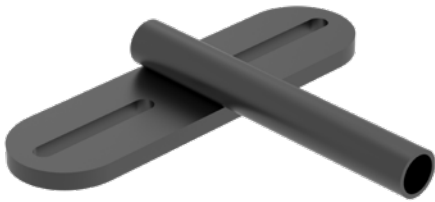
TPA 90° Slotted Flange Extension



Material: Steel

Model Number	ØD	Weight
TPA-90-20-300-GD	20mm	736g [1.62 lb]
TPA-90-25-300-GD	25mm	810g [1.79 lb]
TPA-90-30-300-GD	30mm	884g [1.95 lb]

TPA 90° Slotted Flange Extension



Material: Steel

Model Number	ØD	Weight
TPA-90-20-300	20mm	733g [1.62 lb]
TPA-90-25-300	25mm	807g [1.78 lb]
TPA-90-30-300	30mm	881g [1.94 lb]