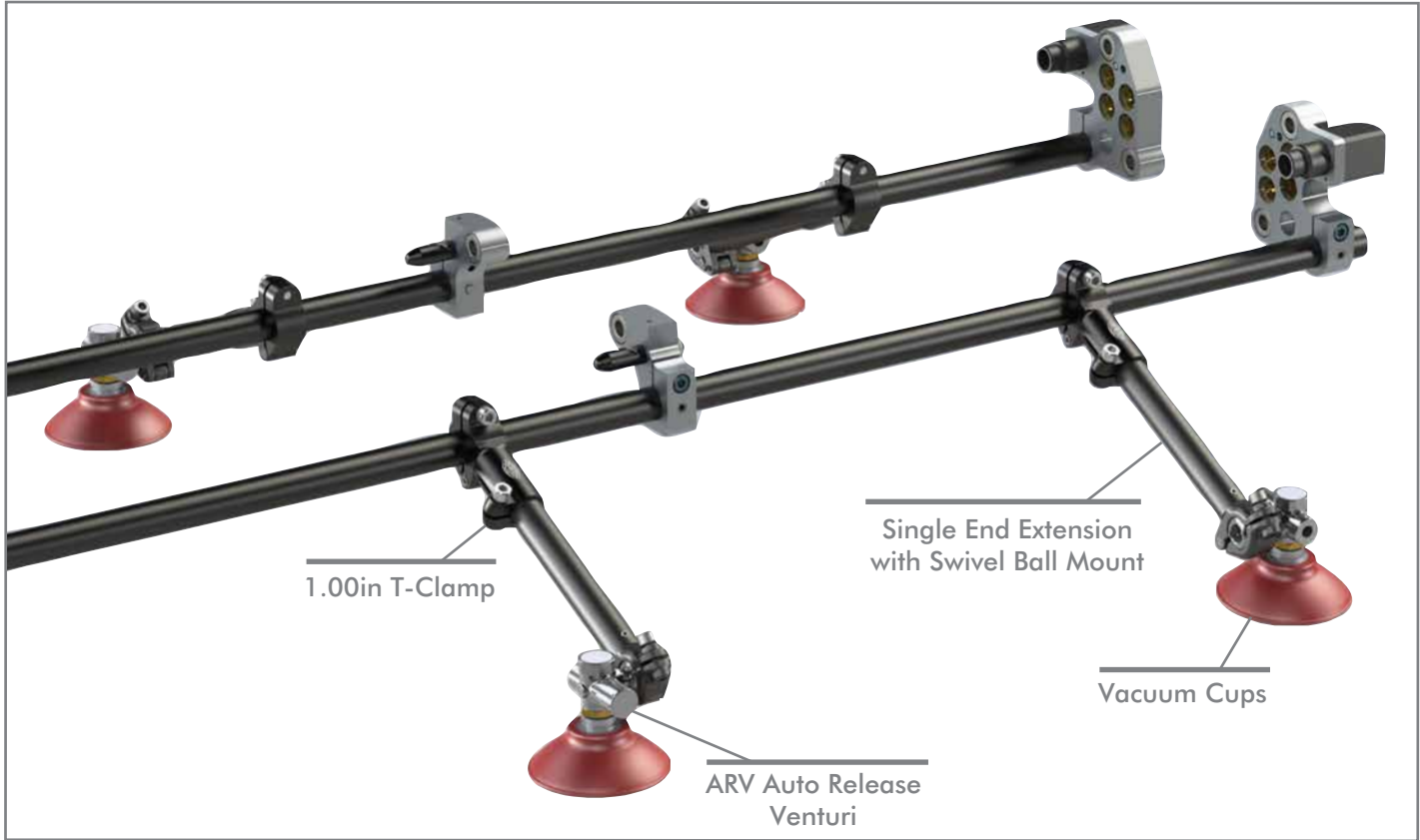


CROSS BAR TOOLING - SGM SERIES

Accelerate® Tooling Collection | Configuration Types

SGM - Split Saddle Tooling 25mm/1 inch Crossbar Tooling

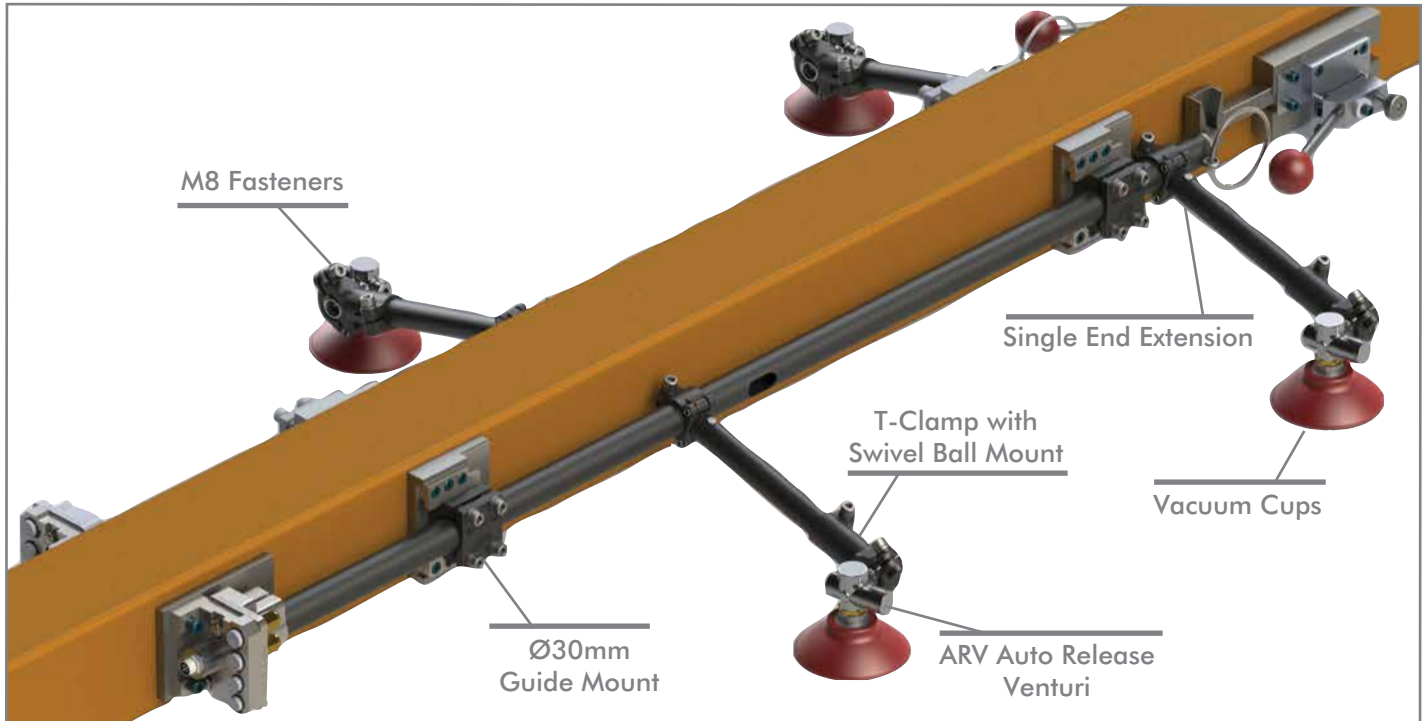


Model Number	Description	Tube Diameter	Tube Length
CPI-SGM-10-1260M-L	Left Assembly No Key	1.00 in	1260mm
CPI-SGM-10-1260M-LF	Left Front Assembly with Key		
CPI-SGM-10-1260M-LR	Left Rear Assembly with Key		
CPI-SGM-10-1260M-R	Right Assembly No Key		
CPI-SGM-10-1260M-RF	Right Front Assembly with Key		
CPI-SGM-10-1260M-RR	Right Rear Assembly with Key		
CPI-SGM-25M-1450M-L	Left Assembly No Key	25mm	1450mm
CPI-SGM-25M-1450M-LF	Left Front Assembly with Key		
CPI-SGM-25M-1450M-LR	Left Rear Assembly with Key		
CPI-SGM-25M-1450M-R	Right Assembly No Key		
CPI-SGM-25M-1450M-RF	Right Front Assembly with Key		
CPI-SGM-25M-1450M-RR	Right Rear Assembly with Key		
CPI-SGM-25M-1800M-L	Left Assembly No Key	25mm	1800mm
CPI-SGM-25M-1800M-LF	Left Front Assembly with Key		
CPI-SGM-25M-1800M-LR	Left Rear Assembly with Key		
CPI-SGM-25M-1800M-R	Right Assembly No Key		
CPI-SGM-25M-1800M-RF	Right Front Assembly with Key		
CPI-SGM-25M-1800M-RR	Right Rear Assembly with Key		

CROSS BAR TOOLING - SGM SERIES

Accelerate® Tooling Collection | Configuration Types

SGM - Split Saddle Tooling 30mm Interpress Crossbar Tooling



Model Number	Description
CPI-SGM-ASSY-FLC	Interpress Tool, Front Left Side, No Electric
CPI-SGM-ASSY-FRC	Interpress Tool, Front Right Side, No Electric
CPI-SGM-ASSY-RLC	Interpress Tool, Rear Left Side, No Electric
CPI-SGM-ASSY-RLC	Interpress Tool, Rear Right Side, No Electric
CPI-SGM-ASSY-FLC-EL	Interpress Tool, Front Left Side, w/Electric Connector Installed
CPI-SGM-ASSY-FRC-EL	Interpress Tool, Front Right Side, w/Electric Connector Installed
CPI-SGM-ASSY-RLC-EL	Interpress Tool, Rear Left Side, w/Electric Connector Installed
CPI-SGM-ASSY-RLC-EL	Interpress Tool, Rear Right Side, w/Electric Connector Installed



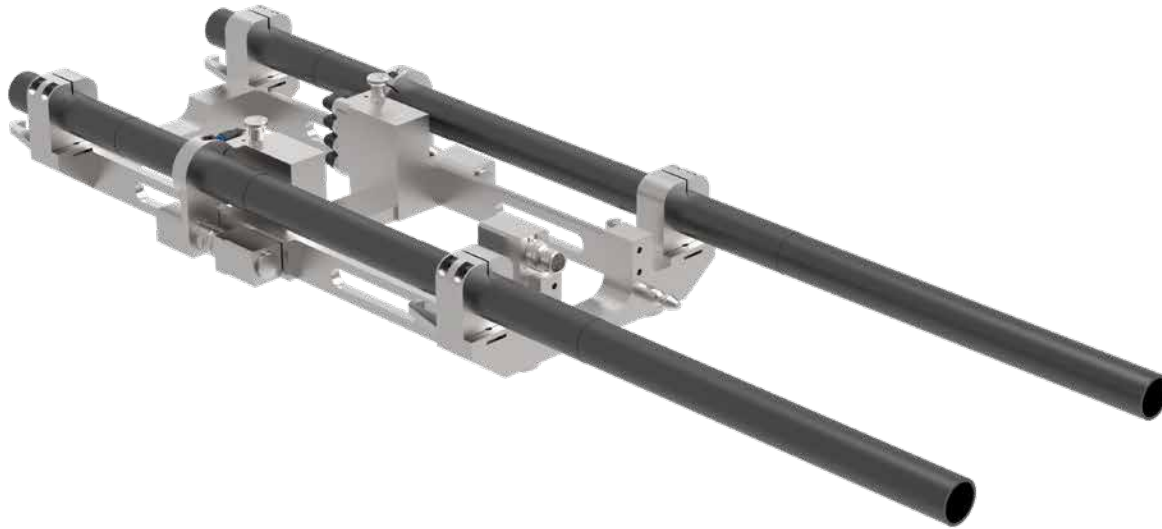
SGM Blankload Crossbar Tooling

Model Number	Description
CPI-SGM-ASSY-BT-FL	Blankload Tool, Front Left Side, No Electric
CPI-SGM-ASSY-BT-FR	Blankload Tool, Front Right Side, No Electric
CPI-SGM-ASSY-BT-RL	Blankload Tool, Rear Left Side, No Electric
CPI-SGM-ASSY-BT-RR	Blankload Tool, Rear Right Side, No Electric
CPI-SGM-ASSY-BT-FL-EL	Blankload Tool, Front Left Side, w/Electric Connector Installed
CPI-SGM-ASSY-BT-FR-EL	Blankload Tool, Front Right Side, w/Electric Connector Installed
CPI-SGM-ASSY-BT-RL-EL	Blankload Tool, Rear Left Side, w/Electric Connector Installed
CPI-SGM-ASSY-BT-RR-EL	Blankload Tool, Rear Right Side, w/Electric Connector Installed

CROSS BAR SADDLE TOOLING

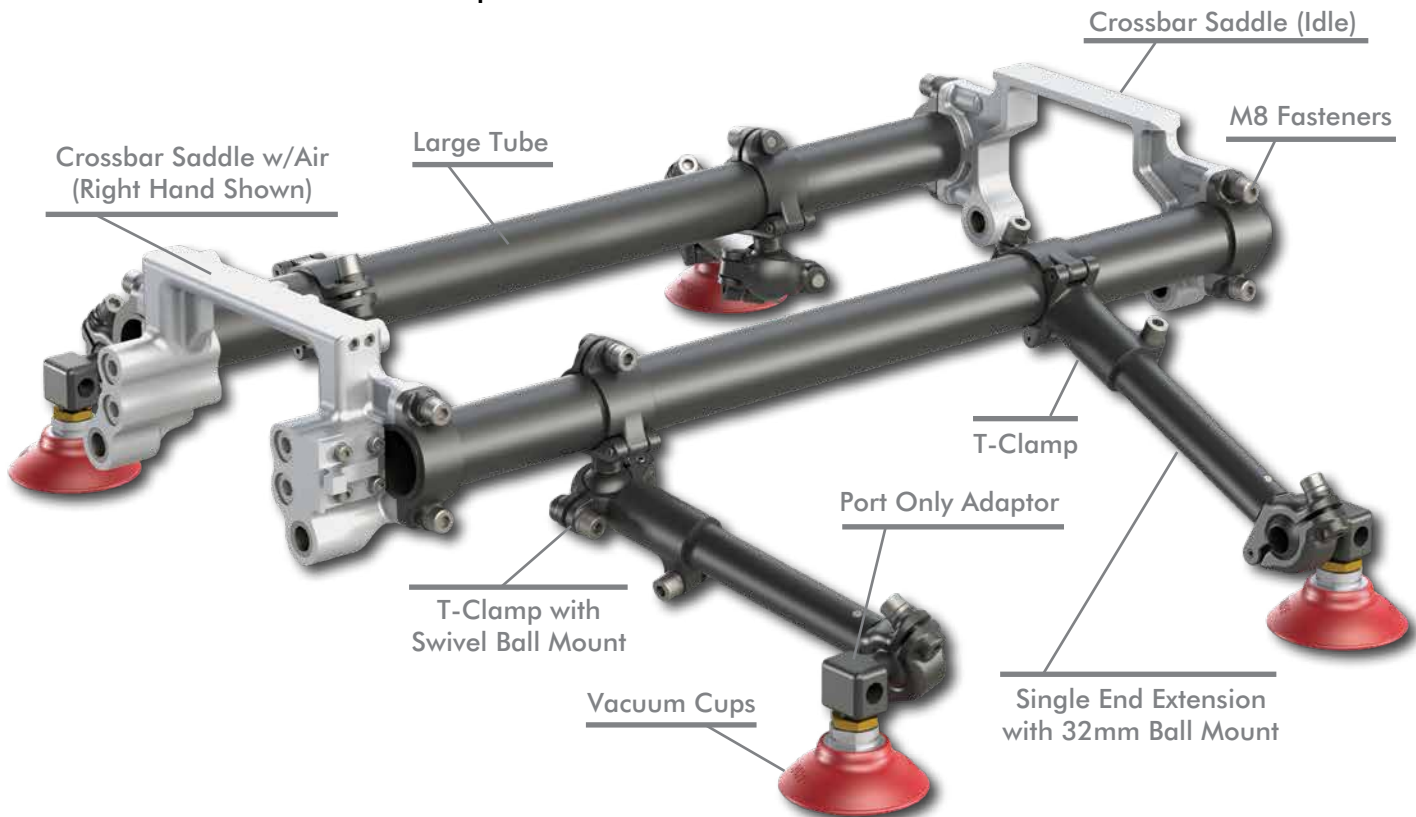
Accelerate® Tooling Collection | Configuration Types

SGM Cross Bar Saddle Tooling 40mm (PXL/PL and PGB/PGA Press Tooling)



Model Number	Description
CPI-SGM-40-1200-RF-EL	Crossbar ASSY, SGM, 40mm Tube x 1200mm Length, Right Front, with Electric
CPI-SGM-40-1200-RR-EL	Crossbar ASSY, SGM, 40mm Tube x 1200mm Length, Right Rear, with Electric
CPI-SGM-40-1200-LF-EL	Crossbar ASSY, SGM, 40mm Tube x 1200mm Length, Left Front, with Electric
CPI-SGM-40-1200-LR-EL	Crossbar ASSY, SGM, 40mm Tube x 1200mm Length, Left Rear, with Electric

LWT Saddle Crossbar Tool Example



LIGHTWEIGHT TUBING

Accelerate® Tooling Collection | Boom/Tubing Sizes

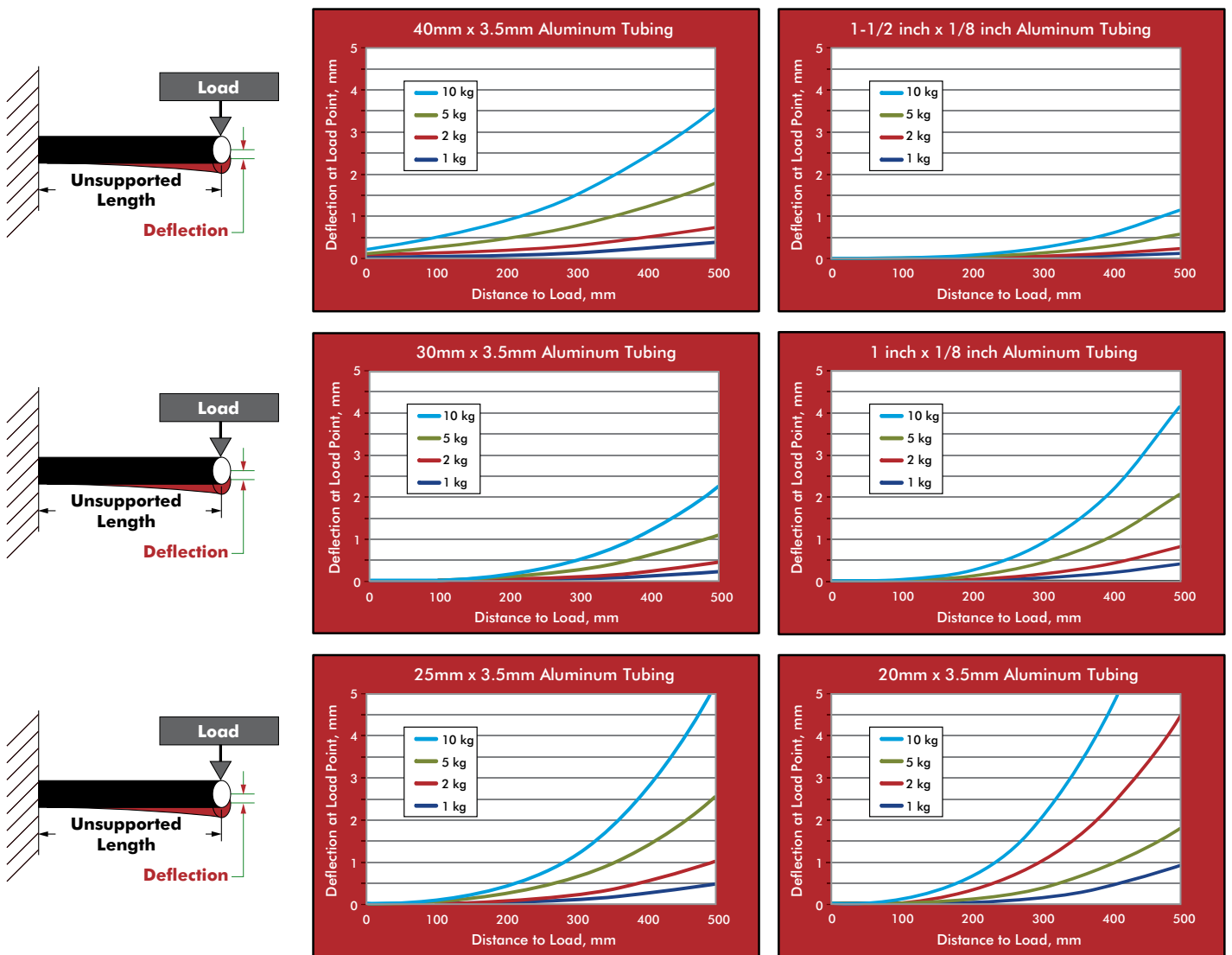
Model Number	(Ø)	Tolerance (mm)	Weight
LWT-40-1000	40mm	±0.14	1080g/m [0.73 lb/ft]
LWT-15E-1000	1.50 in	±0.14	920g/m [0.61 lb/ft]
LWT-30-1000	30mm	+0.08/-0.14	790g/m [0.53 lb/ft]
LWT-10E-1000	1.00 in	+0.05/-0.10	601g/m [0.41 lb/ft]
LWT-25-1000	25mm	+0.08/-0.14	640g/m [0.43 lb/ft]
LWT-20-1000	20mm	±0.08	490g/m [0.33 lb/ft]

LWT Lightweight Boom/Tube
(3.5 mm or 0.125 in. Wall)



Material: High Strength Aluminum

LWT Lightweight Boom Deflection Charts

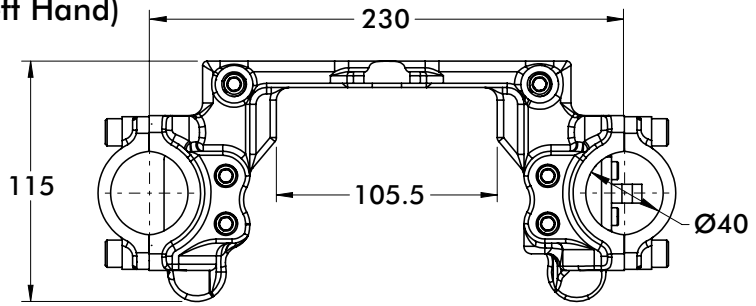
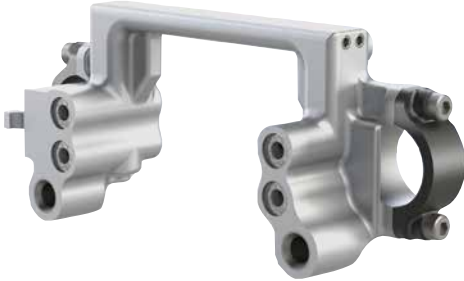


Note: Performance may vary if used with non-DESTACO components

ACCELERATE® TOOLING COLLECTION

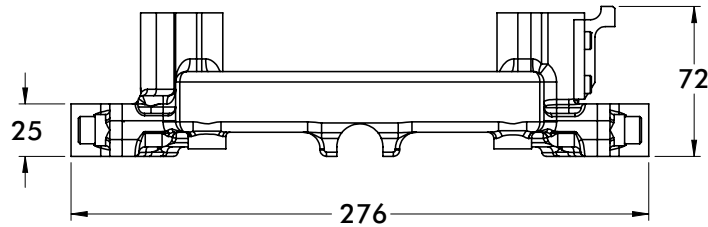
Accelerate® Tooling Collection | Dimensions

GRS-SD-40 Crossbar Saddle w/Air (Left Hand)

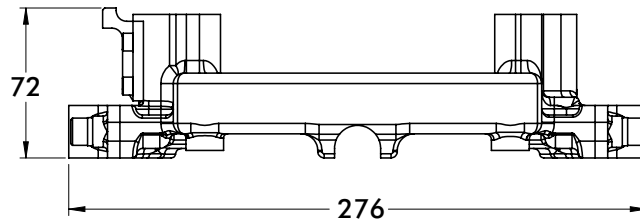
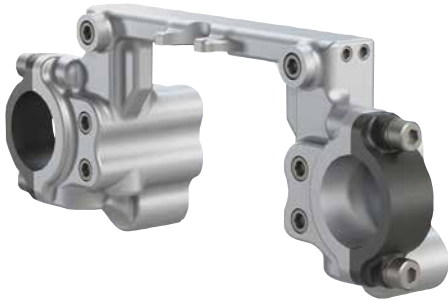


Material: High Strength Aluminum

Model Number	Weight
GRS-SD-40-LHS-A	938g [2.06 lb]



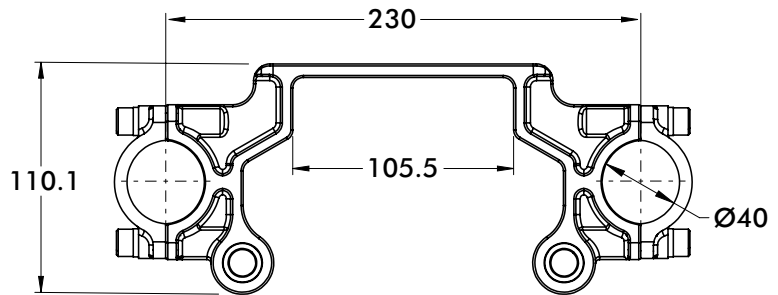
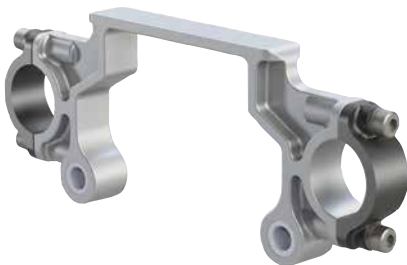
GRS-SD-40 Crossbar Saddle w/Air (Right Hand)



Material: High Strength Aluminum

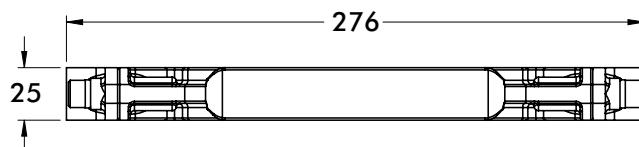
Model Number	Weight
GRS-SD-40-RHS-A	938g [2.06 lb]

GRS-SD-40 Crossbar Saddle (Idle)



Material: High Strength Aluminum

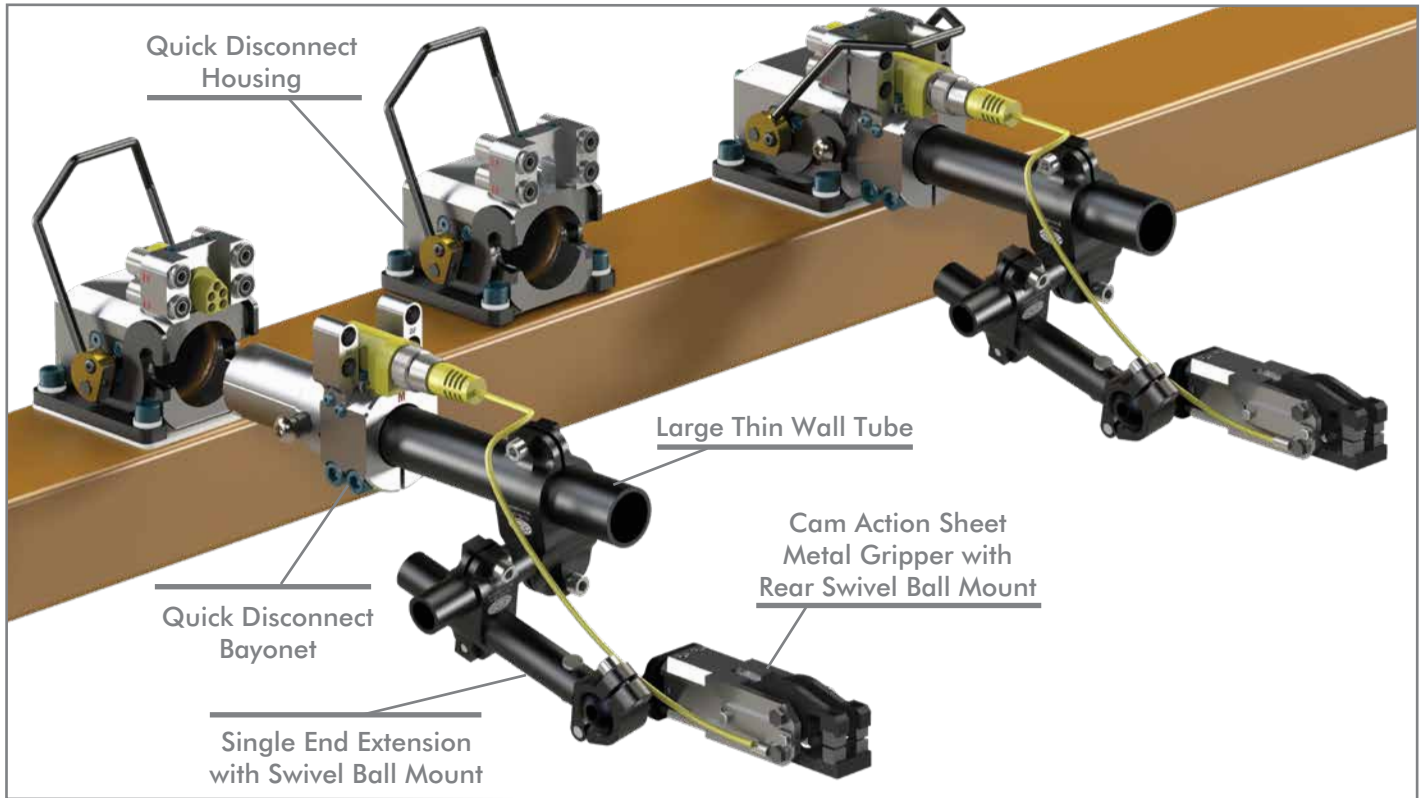
Model Number	Weight
GRS-SD-40-NA-A	535g [1.18 lb]



ACCELERATE® TOOLING COLLECTION

Accelerate® Tooling Collection | Tooling Examples

Tri-Axis Rail Tooling Example with Accelerate® Tooling



LWT Tri-Axis Tooling Example

