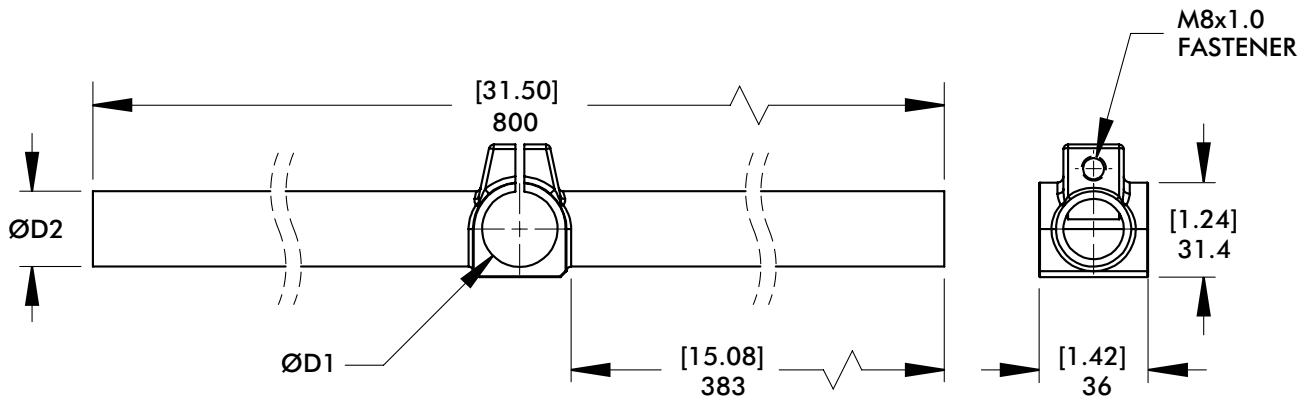


LPT SERIES

Accelerate® Tooling Collection | Dimensions

LTP Double T-Clamp



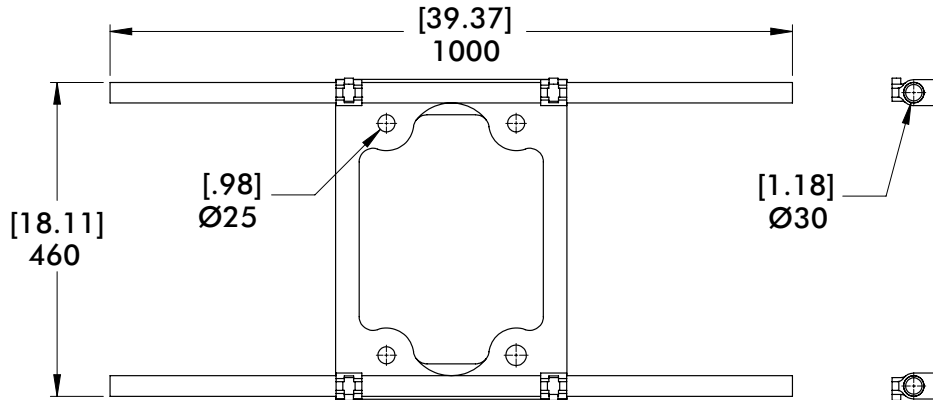
Material: Steel

| Model Number | $\varnothing D1$ | $\varnothing D2$ | Weight |
|--------------------|------------------|------------------|-------------------|
| TCA-20M-20MD-400-A | 20mm | 20mm | 974.7g [2.15 lb] |
| TCA-25M-20MD-400-A | 25mm | 20mm | 1001.8g [2.21 lb] |
| TCA-25M-25MD-400-A | 25mm | 25mm | 1245.3g [2.75 lb] |
| TCA-30M-30MD-400-A | 30mm | 30mm | 1546.6g [3.41 lb] |

LTP SERIES

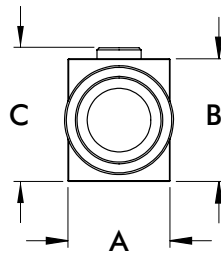
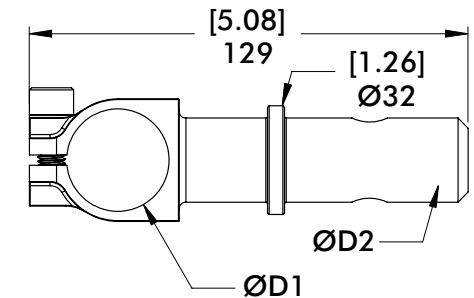
Accelerate® Tooling Collection | Dimensions

LTP Frame

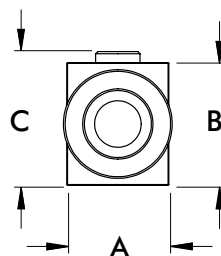
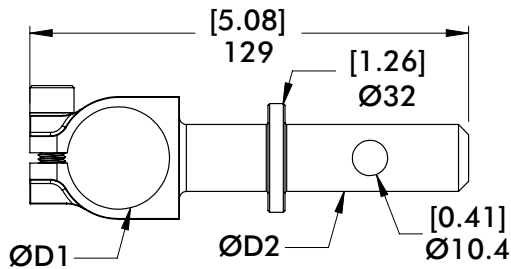


| Model Number | Weight |
|----------------------|-----------------|
| LTP-30M-25-30-1000-A | 3939g [8.68 lb] |

LTP Pin



LTP-90-25-20-S
LTP-90-25-25-S
LTP-90-30-20-A
LTP-90-30-25-A



LTP-00-30-20-A
LTP-00-30-25-A

Material: Steel

| Model Number | ØD1 | ØD2 | A | B | C | Weight |
|----------------|------|------|-----------|-----------|--------------|----------------|
| LTP-90-25-20-S | 25mm | 20mm | 31 [1.22] | 31 [1.22] | 37.2 [1.46] | 370g [0.82 lb] |
| LTP-90-25-25-S | | 25mm | | | | 470g [1.04 lb] |
| LTP-90-30-20-S | | 20mm | | | | 350g [0.77 lb] |
| LTP-90-30-25-S | | 25mm | | | | 460g [1.01 lb] |
| LTP-00-30-20-S | 30mm | 20mm | 30 [1.18] | 36 [1.42] | 39.65 [1.56] | 350g [0.77 lb] |
| LTP-00-30-25-S | | 25mm | | | | 460g [1.01 lb] |