

# TCL SERIES

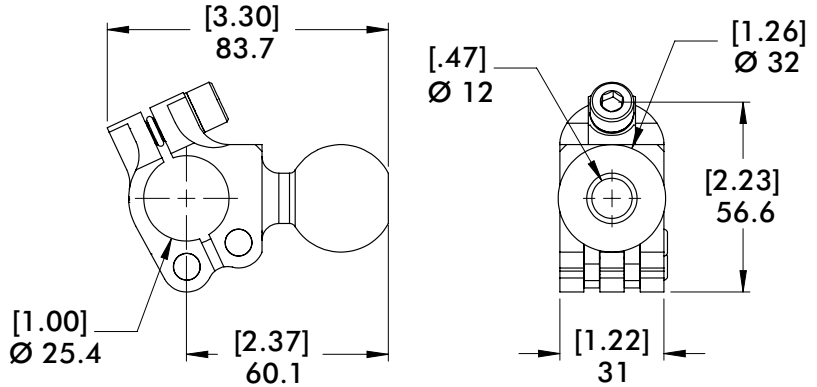
Accelerate® Tooling Collection | Dimensions

## TCL Ball Clamps Ø32

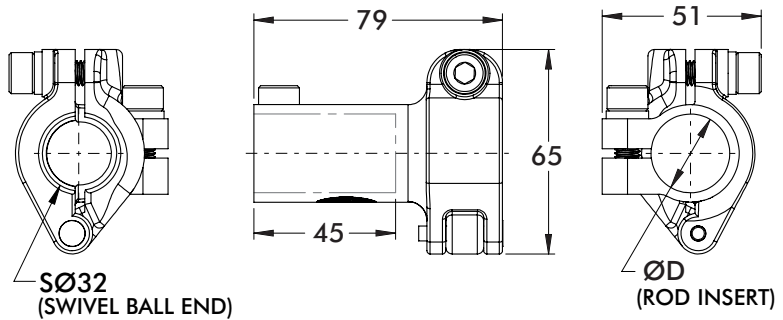


Material: High Strength Aluminum

Model Number	Weight
TCLD-10E-32B-A	166g [0.37 lb]



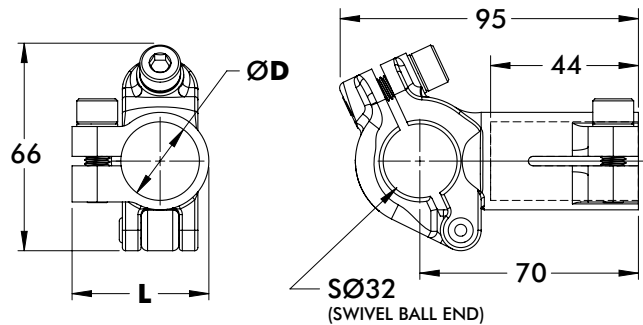
## TCL Ø32 Ball to Ø25



Material: High Strength Aluminum

Model Number	ØD	Weight
TCL-32B-25M-90-A	Ø25	145g [0.32 lb]
TCL-32B-20M-90-A	Ø20	157g [0.35 lb]
TCL-32B-10E-90-A	1 in	157g [0.35 lb]

## TCL Ø25mm/1 in to Ø32



Material: High Strength Aluminum

Model Number	ØD	Weight
TCL-25M-32B-A	Ø25	147g [0.32 lb]
TCL-20M-32B-A	Ø20	128g [0.28 lb]
TCL-10E-32B-A	1 in	141g [0.31 lb]