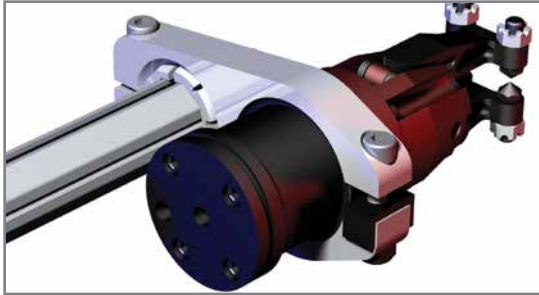


GPC-150-30BBS 30mm Swivel 150 Series Parallel Gripper Mount



Specifications:

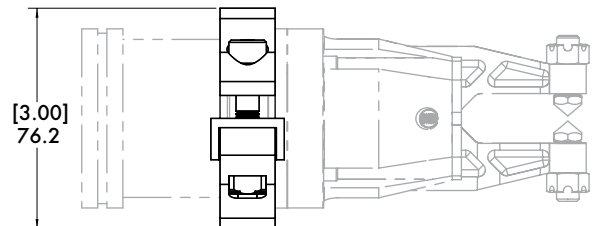
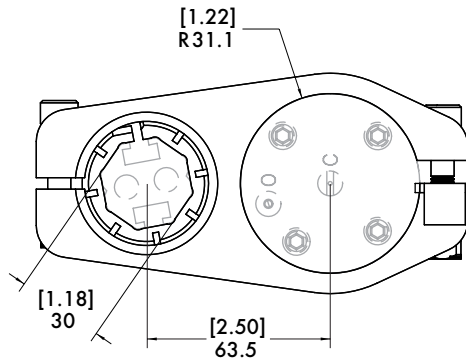
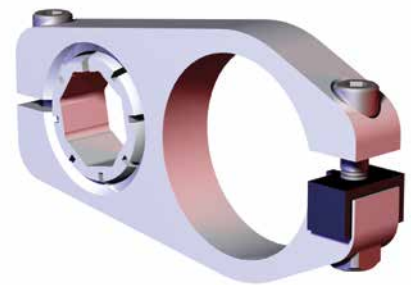
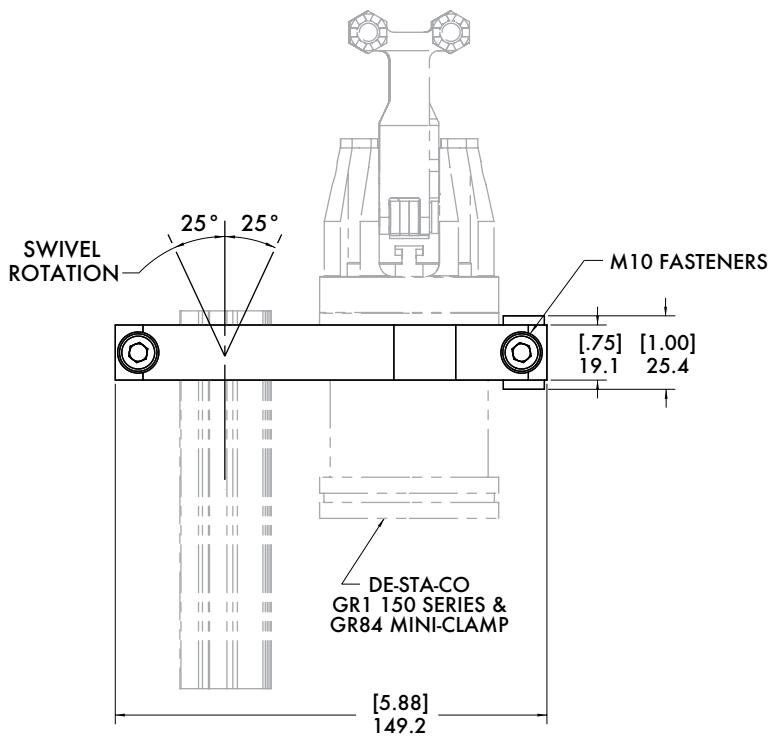
Max. Static Clamp Load:
271 Nm [200 ft-lb]

Material:

Body: Aluminum
Swivel Ball: Steel

Features:

- Removable grip mount lock allows gripper to be adjusted while continuing to holding it in place.
- Swivel ball allows for $\pm 25^\circ$ adjustment of swivel rotation.



Model Number	Weight
CPI-GPC-150-30BBS-DC	.33 kg [.73 lb]

BODYBUILDER™ GRIPPER MOUNTS



BodyBuilder™ Octagonal Tooling | Dimensions | Technical Specifications

RJM-150-30BBS 30mm End Gripper Mount for 150 Series Gripper

Features:

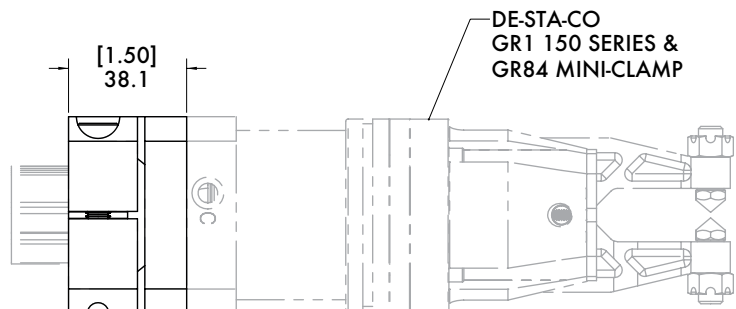
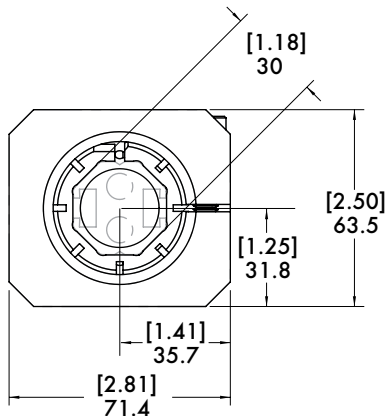
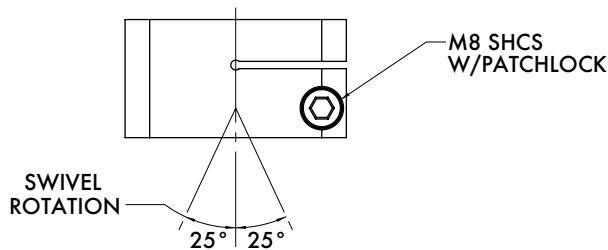
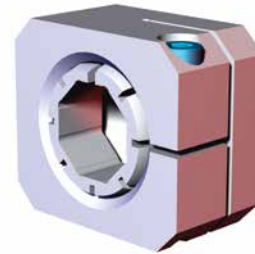
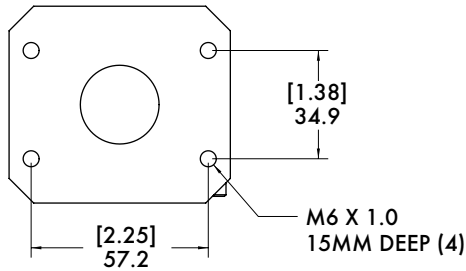
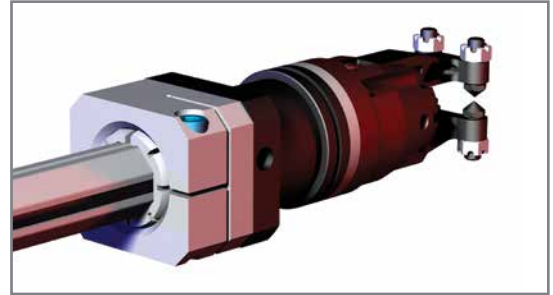
- Swivel ball allows for $\pm 25^\circ$ adjustment of swivel rotation.

Specifications:

Max. Static Clamp Load:
271 Nm [200 ft-lb]

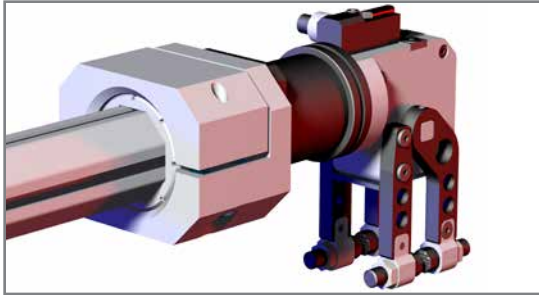
Material:

Housing:
Machined Aluminum
Swivel: Steel



Model Number	Weight
CPI-RJM-150-30BBS	.33 kg [.74 lb]

RJM-150-45BBS 45mm End Gripper Mount for 150 Series Gripper



Specifications:

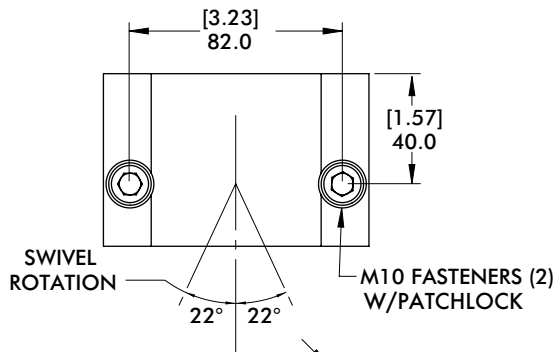
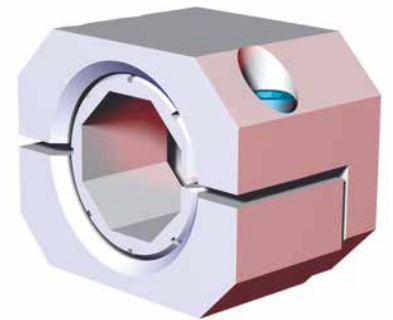
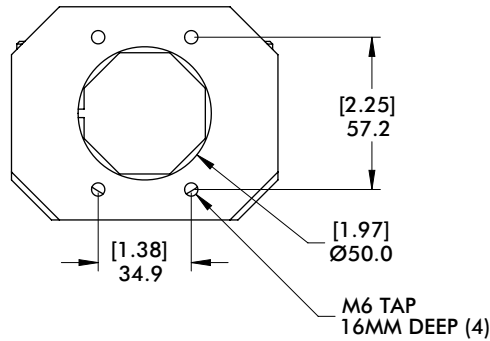
Max. Static Clamp Load:
475 Nm [350 ft-lb]

Material:

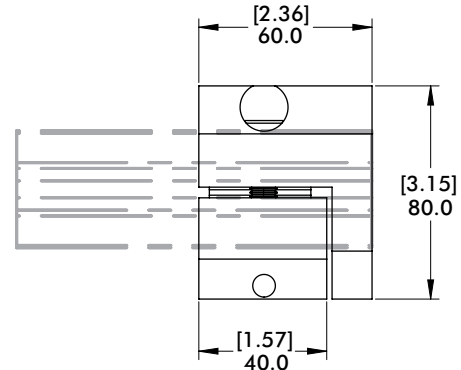
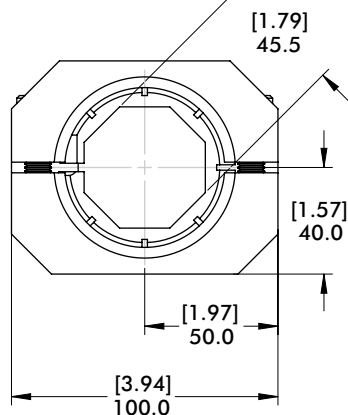
Housing:
Machined Aluminum
Swivel: Steel

Features:

- Swivel ball allows for $\pm 22^\circ$ adjustment of swivel rotation.



TO USE AS A FIXED MOUNT
INSERT BOOM COMPLETELY
UNTIL IT COMES INTO
CONTACT WITH GRIPPER
FOR SWIVEL OPTION INSERT
BOOM 40 MM [1.57 IN] OR
UNTIL BOOM IS INSERTED
ENOUGH TO ALLOW
ROTATION WITHOUT
OBSTRUCTION



Model Number	Weight
CPI-RJM-150-45BBS	1.23 kg [2.71 lb]