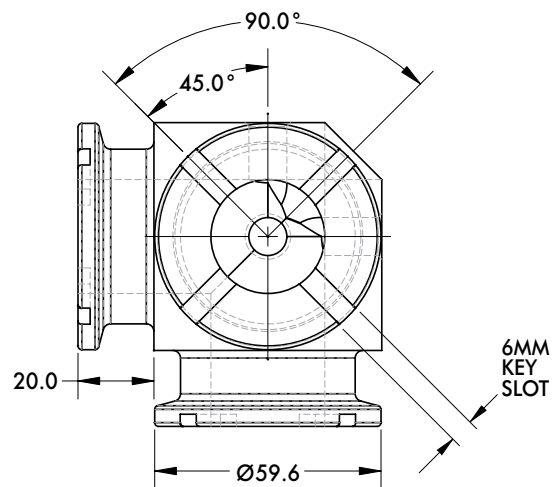
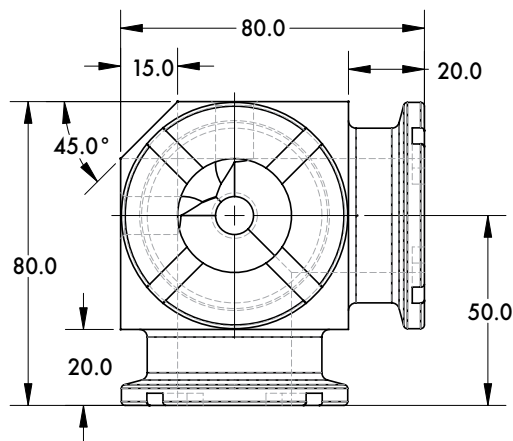
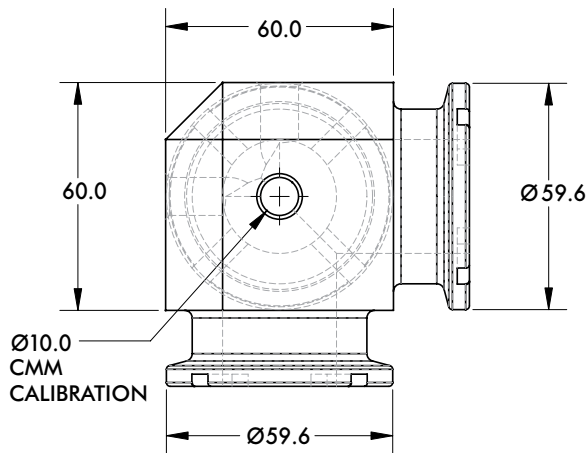
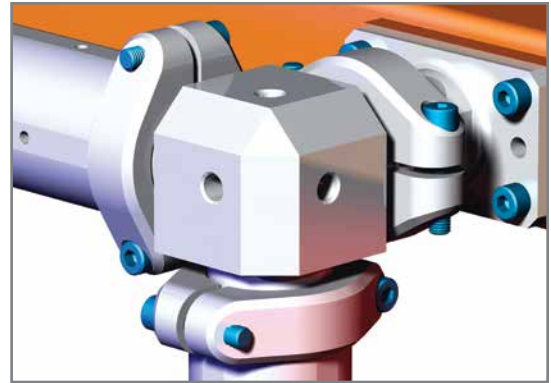
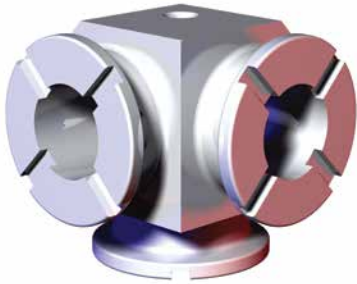


SPIDERGRIP JUNCTION COMPONENTS

Spidergrip Tooling Components | Dimensions | Technical Specifications



Ø60mm 3-Face Junction



Model Number

Weight

STN0C3F-NA

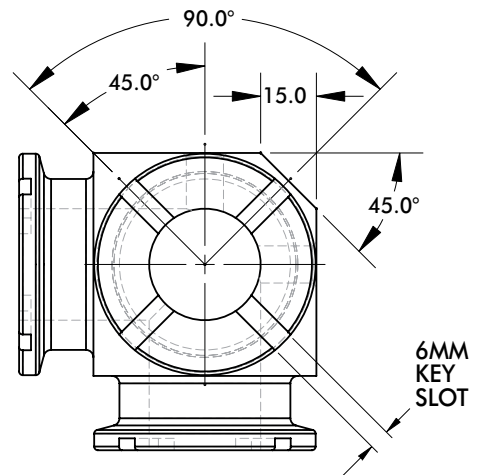
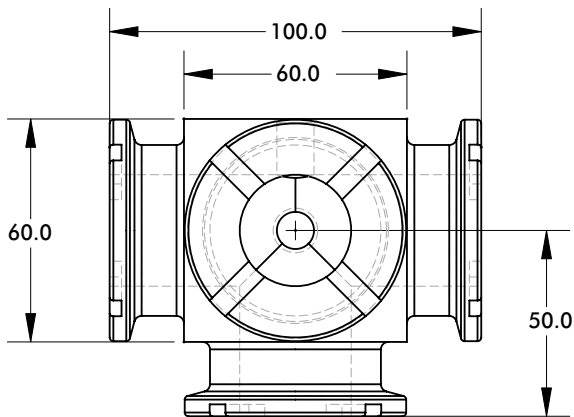
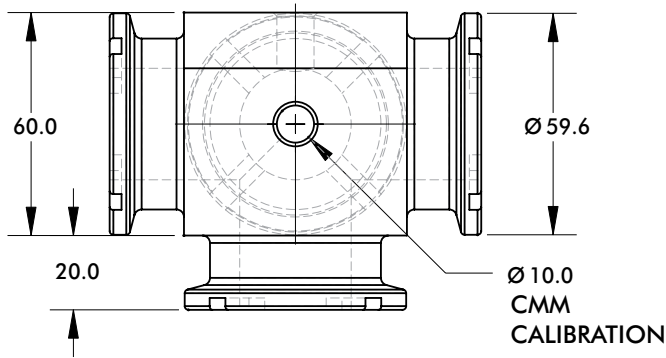
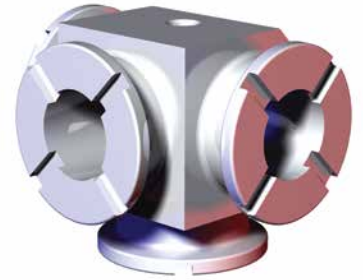
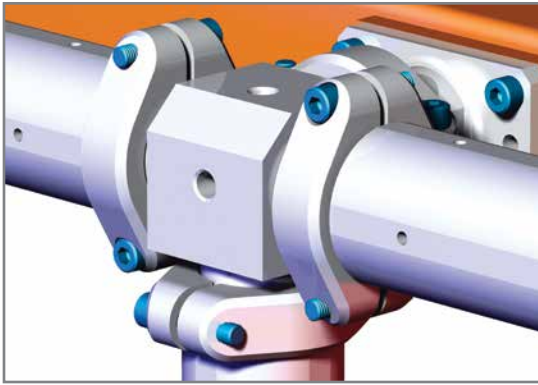
.58 kg [1.29 lb]



SPIDERGRIP JUNCTION COMPONENTS

Spidergrip Tooling Components | Dimensions | Technical Specifications

Ø60mm 4-Face Junction



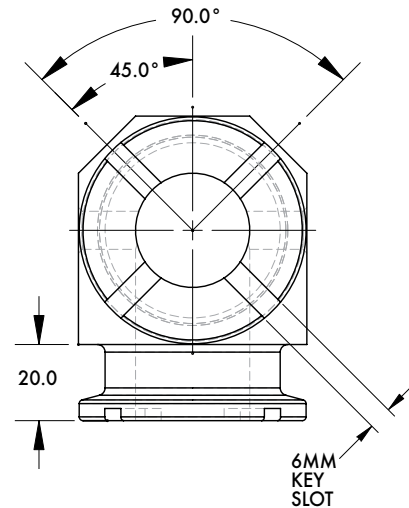
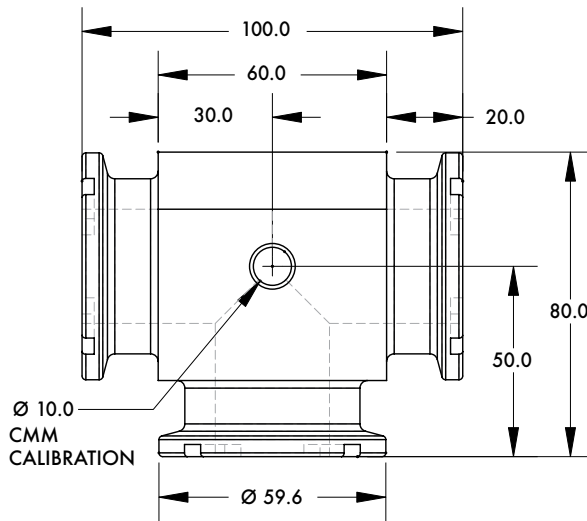
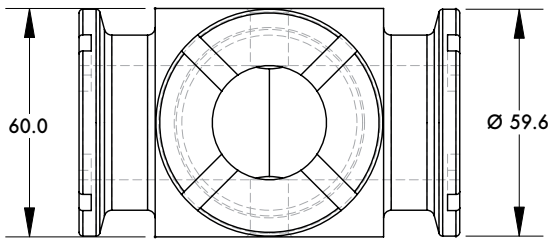
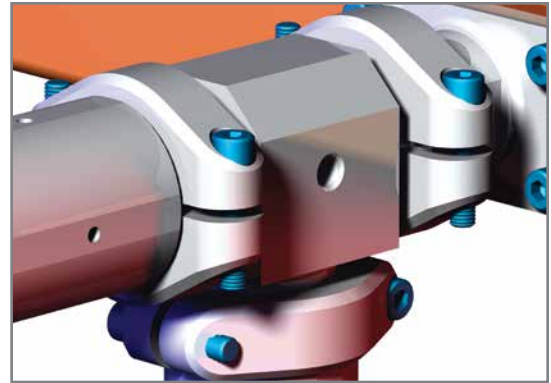
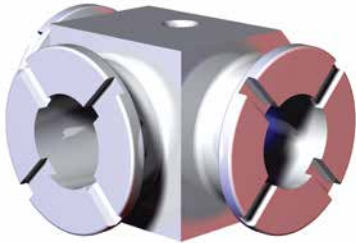
Model Number	Weight
STN0C4F-NA	.65 kg [1.43 lb]

SPIDERGRIP JUNCTION COMPONENTS

Spidergrip Tooling Components | Dimensions | Technical Specifications



Ø60mm 3-Face Junction



Model Number

Weight

STN0T3F-NA

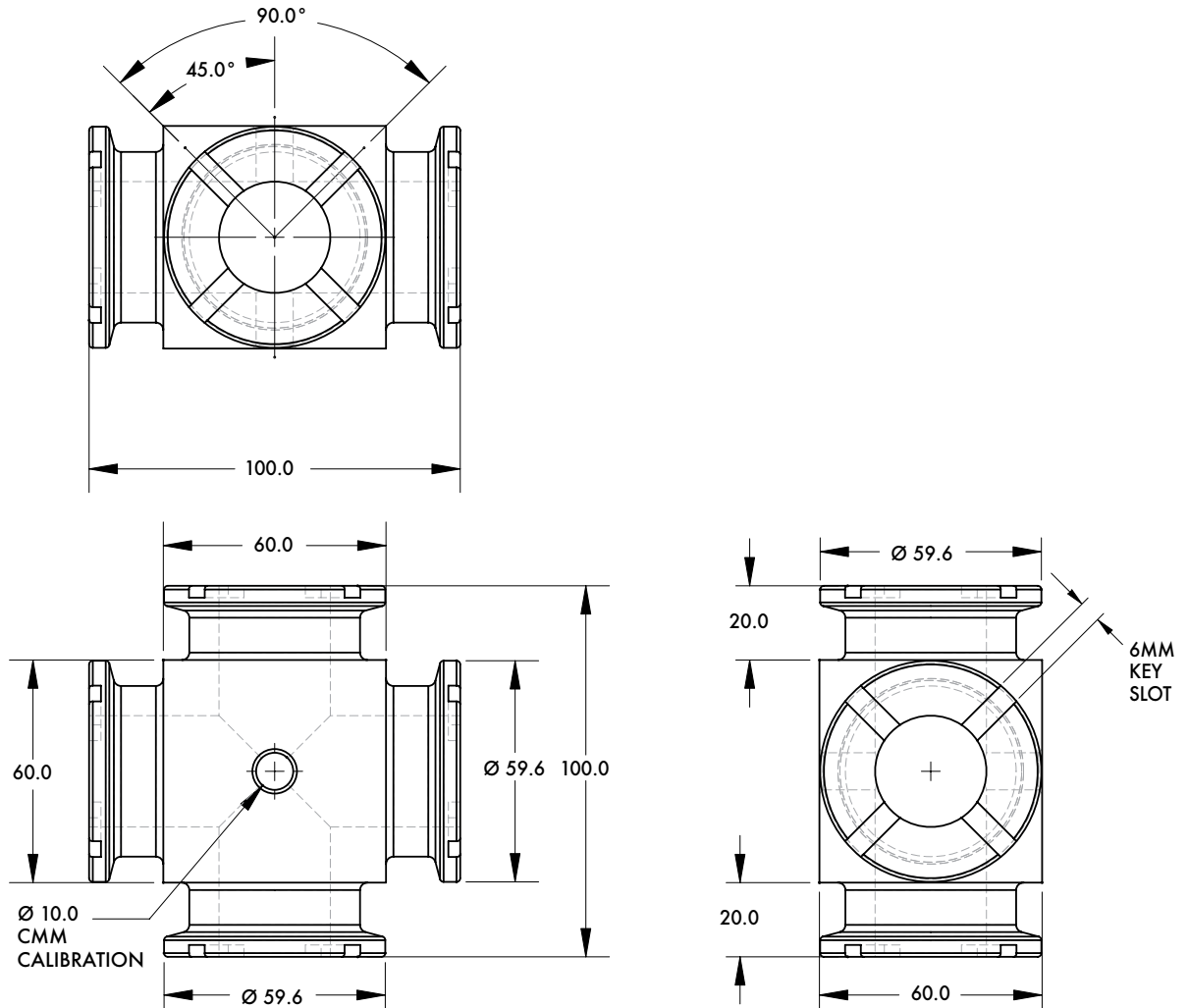
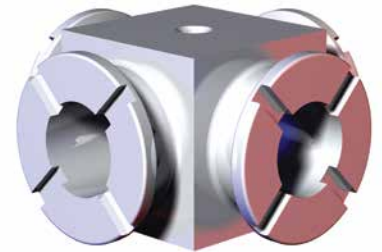
.60 kg [1.31 lb]



SPIDERGRIP JUNCTION COMPONENTS

Spidergrip Tooling Components | Dimensions | Technical Specifications

Ø60mm 4-Face Junction



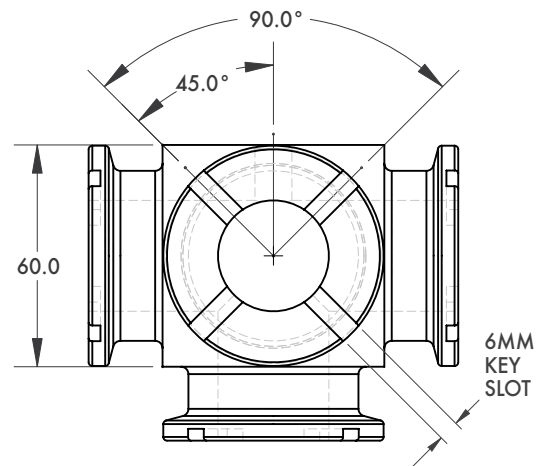
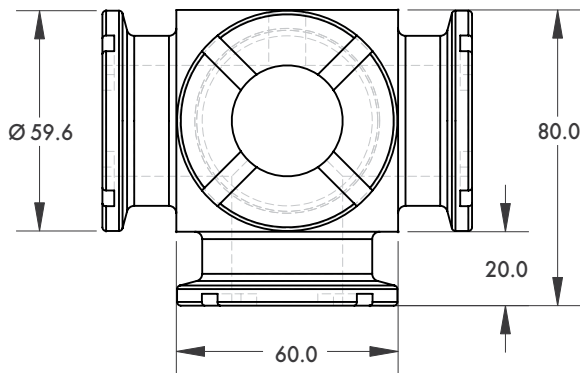
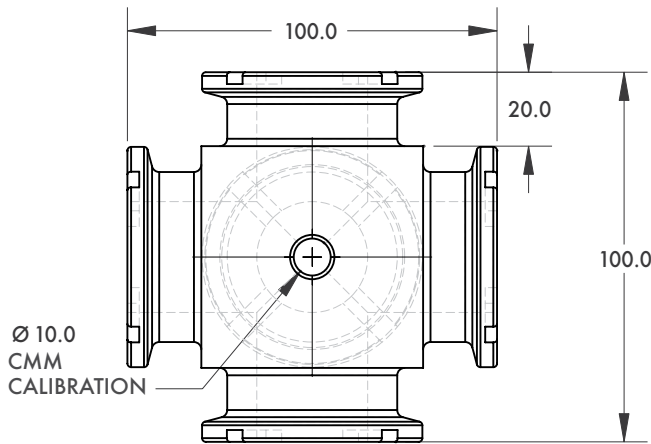
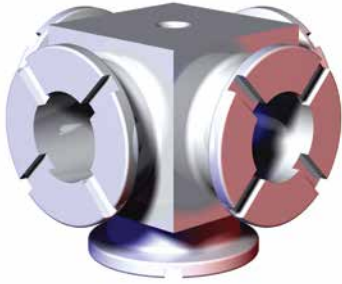
Model Number	Weight
STN0T4F-NA	.67 kg [1.47 lb]

SPIDERGRIP JUNCTION COMPONENTS



Spidergrip Tooling Components | Dimensions | Technical Specifications

Ø60mm 5-Face Junction



Model Number

STN0T5F-NA

Weight

.71 kg [1.56 lb]