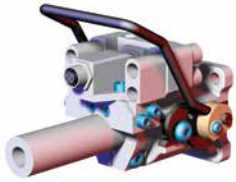


# MANUAL TOOL CHANGERS

## Features & Benefits



<b>Quick Disconnect for 25mm/1.00 in. Tubes</b>	
Housing .....	4
Air/Electric Connections.....	6
Bayonet .....	8
Air/Electric Connections.....	9



<b>Quick Disconnect for 40mm/1.50 in. Tubes</b>	
Housing .....	10
Air/Electric Connections.....	13
Bayonet .....	19
Air/Electric Connections.....	20



<b>Quick Disconnect for 60mm/2.50 in. Tubes</b>	
Housing .....	26
Air/Electric Connections.....	27
Bayonet .....	31
Air/Electric Connections.....	32



<b>Idle Station .....</b>	<b>37</b>
---------------------------	-----------

# RDN/RDC SERIES

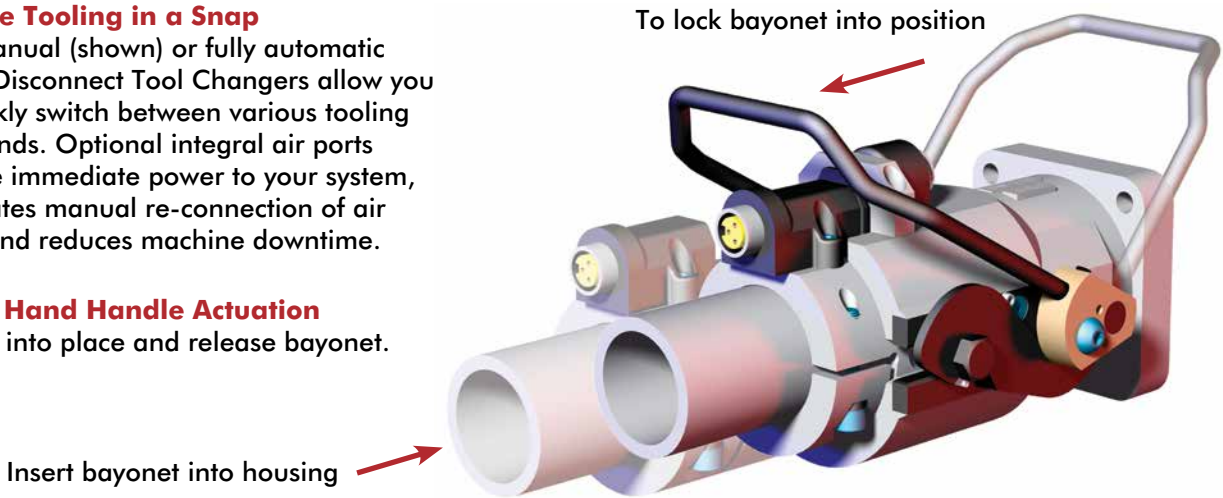
## Table of Contents

### Change Tooling in a Snap

Our manual (shown) or fully automatic Quick Disconnect Tool Changers allow you to quickly switch between various tooling in seconds. Optional integral air ports provide immediate power to your system, eliminates manual re-connection of air lines, and reduces machine downtime.

### Single Hand Handle Actuation

To lock into place and release bayonet.



### RDN/RDC Features

(Handle in release position)



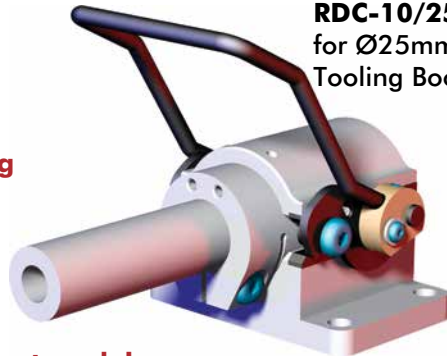
**RDN-40 Housing**  
**RDC-40/15 Bayonet**  
for Ø40mm/1.50"(in)  
Tooling Boom/Tubes

**Internal urethane bumpers**  
ensures a tight interface between  
the robot and tool sides

**Air & electrical connections**  
stay properly sequenced when tool is removed.

**Additional electrical connectors available**  
RDN-40 and RDH electrical connectors must be  
ordered separately from Housing/Bayonet.

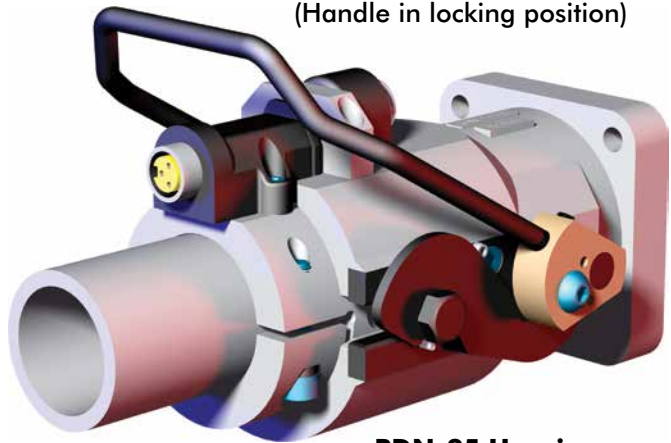
(Handle in locking position)



**RDN-10 Housing**  
**RDC-10/25M Bayonet**  
for Ø25mm/1.00"(in)  
Tooling Boom/Tubes

**Optional air port modules**  
auto disconnect when handle is released

(Handle in locking position)



**RDN-25 Housing**  
**RDC-60/25 Bayonet**  
for Ø60mm/2.50"(in)  
Tooling Boom/Tubes

# BAYONETS FOR MANUAL TOOL CHANGERS

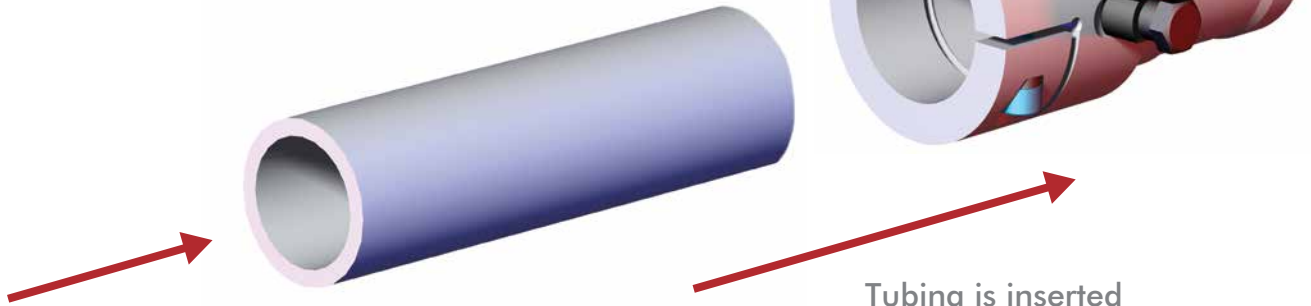
Manual Tool Changers | Bayonet & Boom Assembly Procedure | Product Overview

## Overview:

The internal surface of the bayonet is tapered to lock the tubing in the position during hi-torque operations. Tubing must be inserted the proper distance to completely engage the taper.

## Procedure:

Part Number	Depth
CPI-RDC-10-1	70mm [2.75 in]
CPI-RDC-25M-1	70mm [2.75 in]
CPI-RDC-15-1	102mm [4.00 in]
CPI-RDC-40-1	102mm [4.00 in]
CPI-RDC-25-2	152mm [6.00 in]
CPI-RDC-60-2	152mm [6.00 in]
CPI-RDC-25-2HT	171mm [6.75 in]



It is helpful to tap on the end of the tubing with a mallet until the tubing is seated firmly against the taper

Tubing is inserted into bayonet

# RDN-10 DISCONNECT HOUSINGS

## Manual Tool Changers | Flange Style Housing for RDC-10 Series Bayonets | Product Overview

### Features:

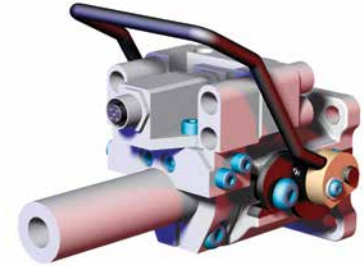
- 50.8mm [2.00 in.] Sq. Flange Mntg.
- Steel handle actuation allows quick and accurate installation, pulling the bayonet into a fixed position within the housing. This action also engages optional air and electric connectors
- Internal urethane rings eliminate vibration and seat the bayonet securely

### Specifications:

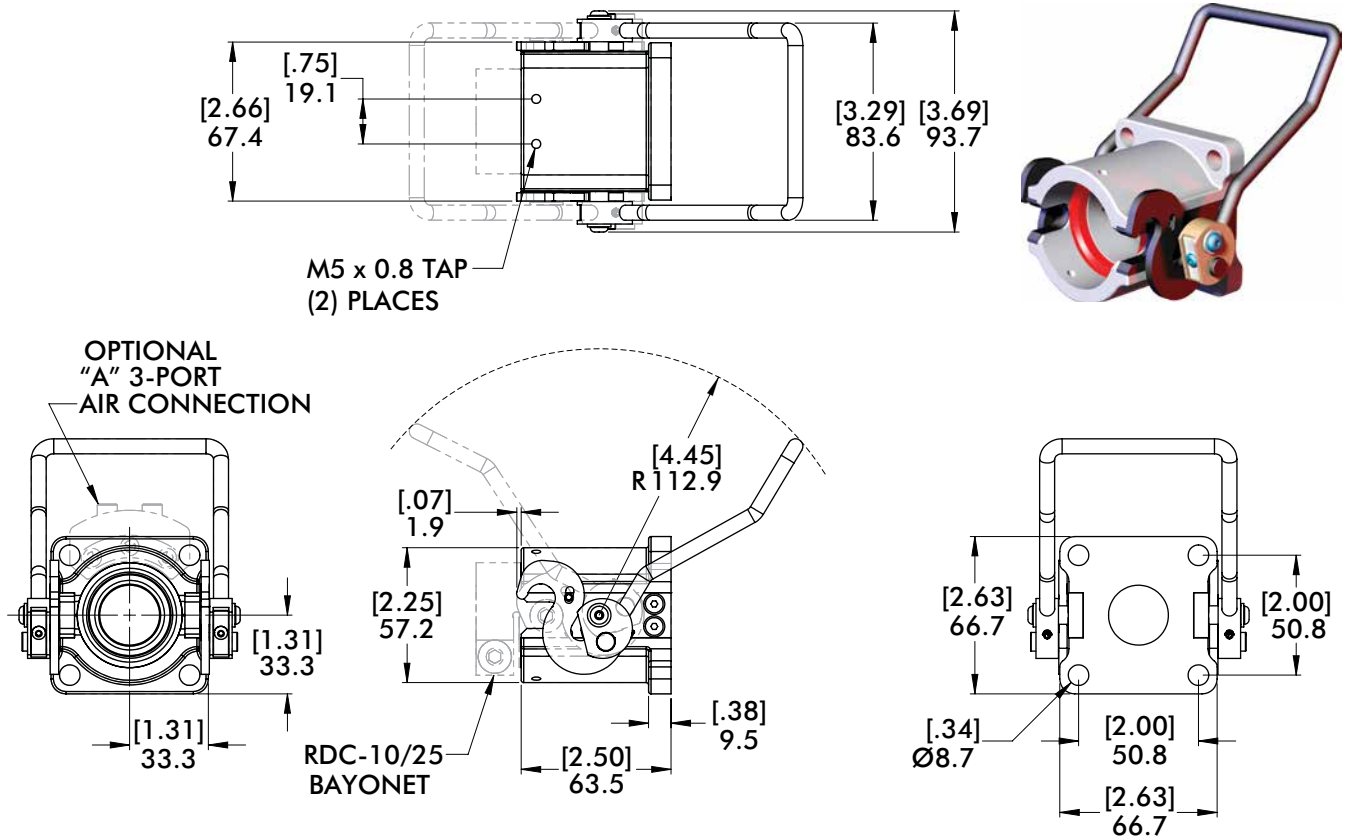
**Max. Static Product Load:**  
47 N\*m [35 ft-lb]

**Material:**  
Body: Aluminum  
Knuckles: Brass  
Handle and Hooks: Steel  
Inserts: Urethane

**Weight:**  
0.63 kg [1.4 lb]



### Dimensions

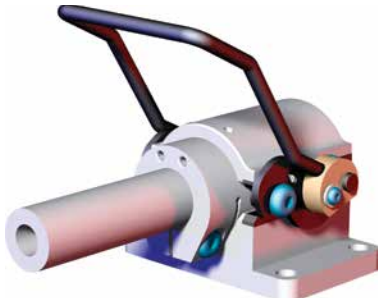


### How To Order

	Model	Mounting	Air Port Connection	Electrical Connection
<b>CPI</b>	<b>RDN-10</b>	<b>1F</b>	<b>4AS</b>	<b>5E</b>
	"RDN-10" Ø25mm/1.00" Quick Disconnect Housing	"1F" Flange Type Mounting	"A" (3-Port Connector) "5A" (5-Port Connector) "4AS" (4-Port Connector) (Leave blank for <b>No Options</b> )	"5E" (5-Pin Connector) (Only available for "4AS" Option)

# RDN-10 HOUSINGS

Manual Tool Changers | Base Mount Style for RDC-10 Series Bayonets | Product Overview



### Specifications:

**Max. Static Product Load:** 47 N\*m [35 ft-lb]

### Material:

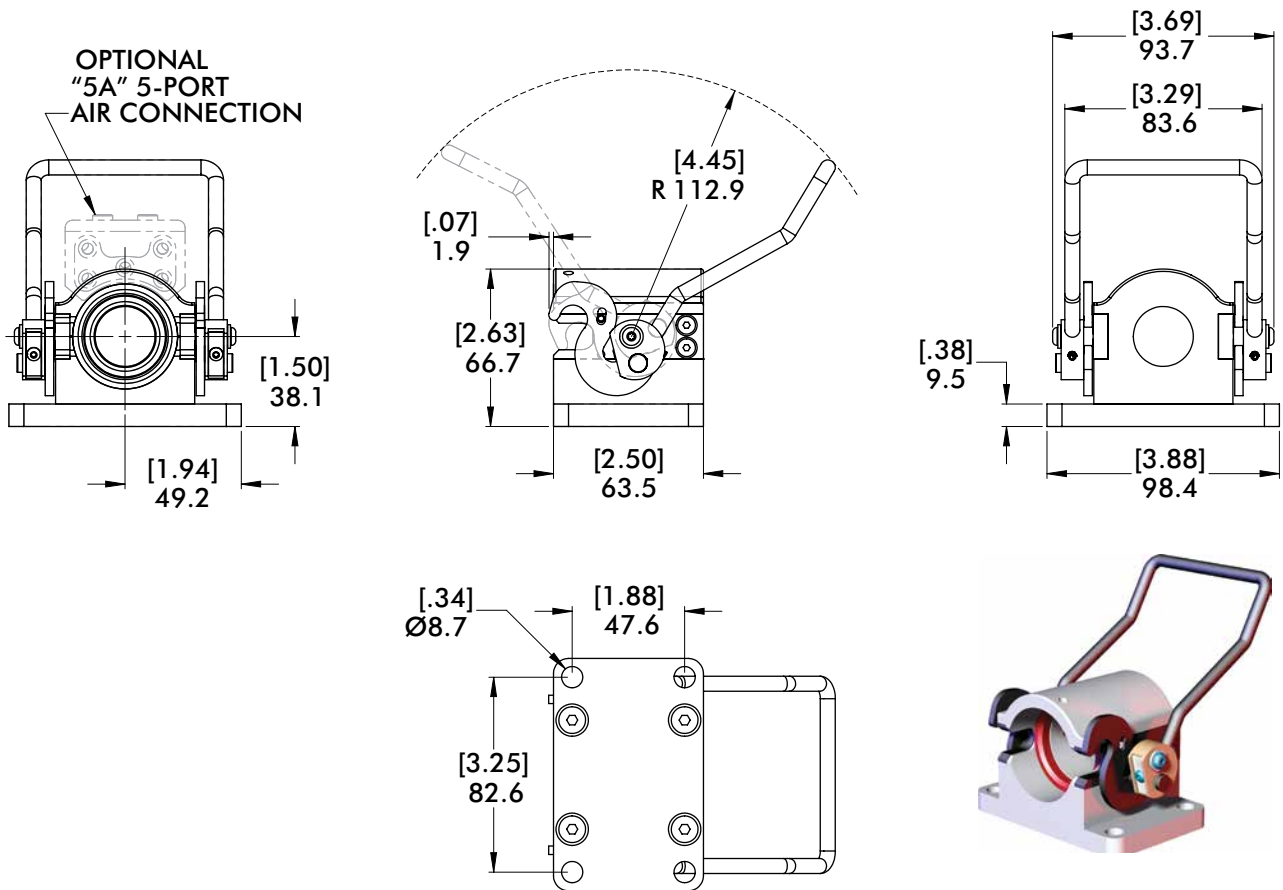
Body: Aluminum  
Knuckles: Brass  
Handle and Hooks: Steel  
Inserts: Urethane

**Weight:** 0.82 kg [1.8 lb]

### Features:

- 47.6mm x 82.6mm [1.88 in. x 3.25 in.] Base Mounting.
- Steel handle actuation allows quick and accurate installation, pulling the bayonet into a fixed position within the housing. This action also engages optional air and electric connectors
- Internal urethane rings eliminate vibration and seat the bayonet securely

## Dimensions



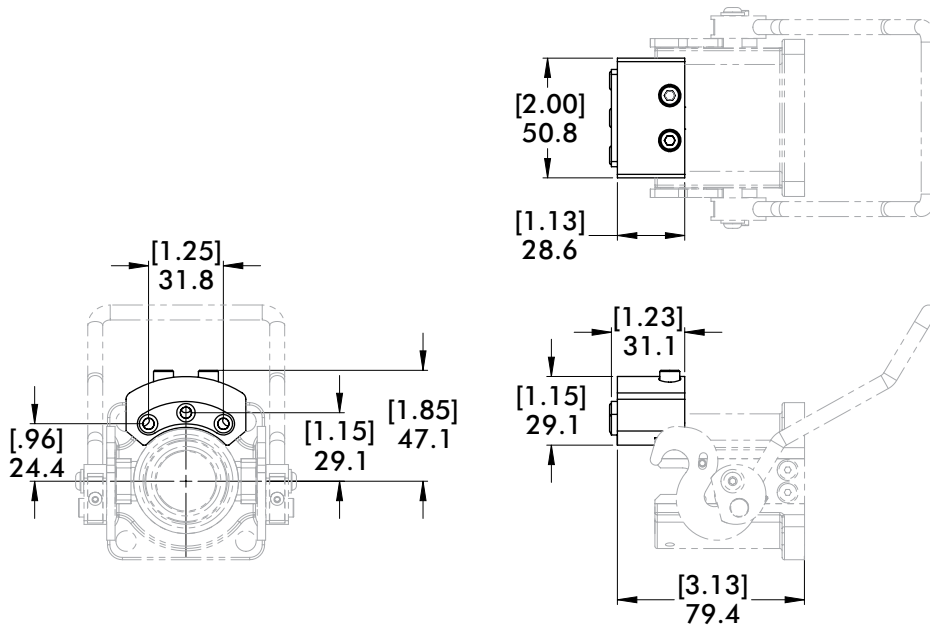
## How To Order

	Model	Mounting	Air Port Connection	Electrical Connection
CPI	<b>RDN-10</b>	<b>1B</b>	<b>4AS</b>	<b>5E</b>
	 "RDN-10" Ø25mm/1.00" Quick Disconnect Housing	 "1B" Base Type Mounting	 "A" (3-Port Connector) "5A" (5-Port Connector) "4AS" (4-Port Connector) (Leave blank for <b>No Options</b> )	 "5E" (5-Pin Connector) (Only available for "4AS" Option)

# AIR MANIFOLDS

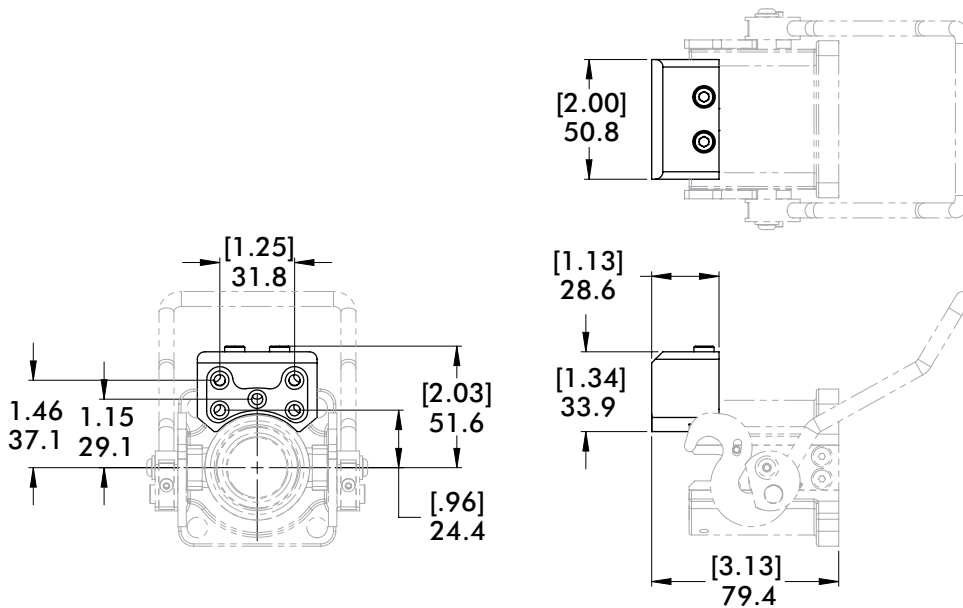
Manual Tool Changers | RDN-10 Disconnect Series | Dimensions

## 1A 3-Port Air Connection



**REPLACEMENT PART**  
**RDN-10-8**

## 5A 5-Port Air Connection

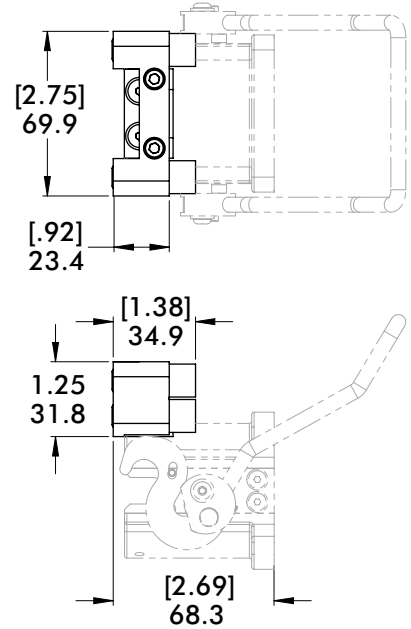
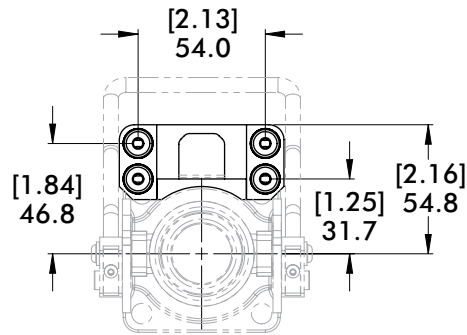
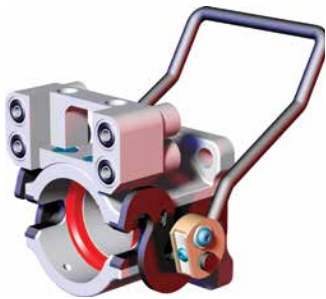


**REPLACEMENT PART**  
**RDN-10-9**

# AIR MANIFOLDS WITH OR WITHOUT ELECTRICAL CONNECTIONS

Manual Tool Changers | RDN-10 Disconnect Series | Dimensions

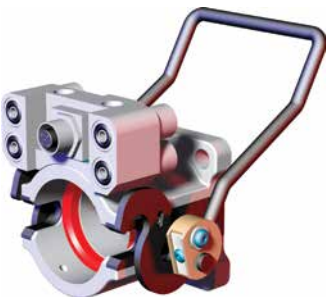
## 4AS 4-Port Air Connection with Shutoff



**REPLACEMENT PART**  
**CPI-RDN-10-4AS**

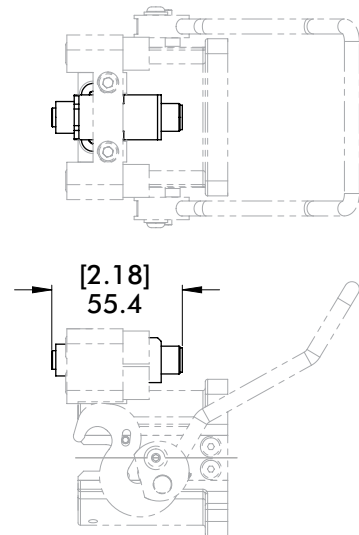
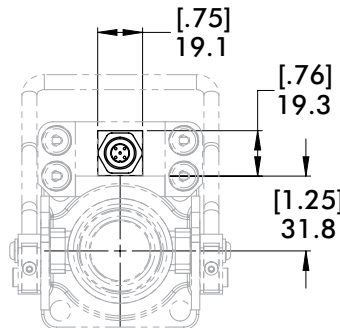
**Air fittings**  
(4) Needed  
**RDN-AS-U18**

## 5E 5-Pin Micro Electric Connection



See Page 17 for  
Pin Configuration

**REPLACEMENT PART**  
**CPI-RDH-F5S-5MCM**



# RDC-10/25 SERIES BAYONETS

Manual Tool Changers | 25mm or 1.0" Booms | Product Overview

## Features:

- Used in conjunction with the Quick Disconnect Housing to provide efficient mode of changing tools manually.
- (2) Hardened alignment pins allows quick and accurate installation into the bayonet.

## Specifications:

**Max. Static Product Load:**

47 N\*m [35 ft-lb]

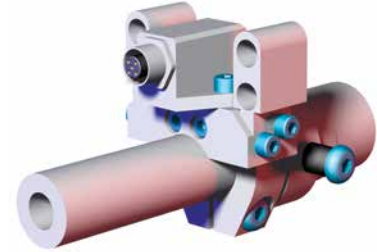
**Material:**

Body: Aluminum

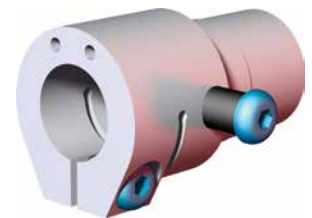
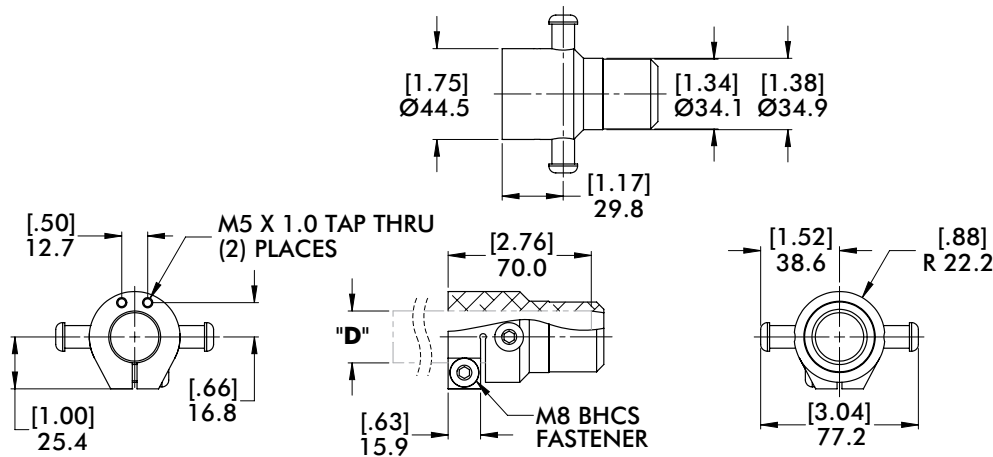
Pins: Steel

**Weight:**

0.23 kg [0.5 lb]



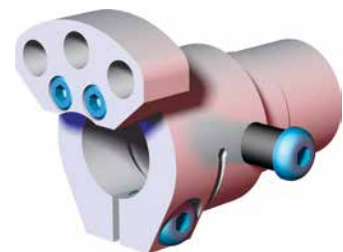
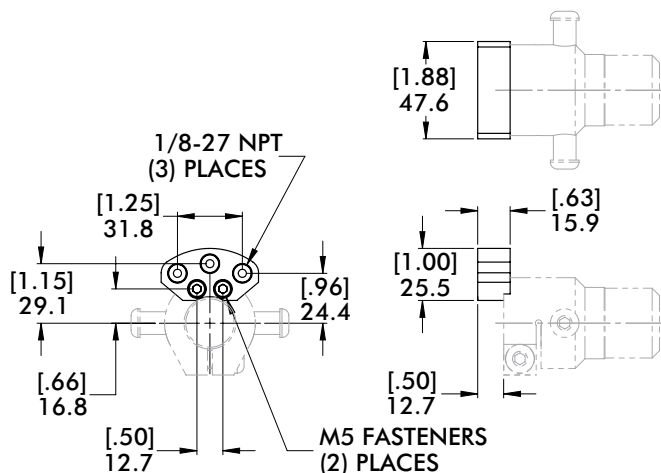
## Dimensions



## How To Order

CPI	Model	Boom/Tube (Ø) "D"	Air Port Connection	Electrical Connection
	<b>RDC</b>	<b>10</b>	<b>4AS</b>	<b>5E</b>
	"RDC" Quick Disconnect Bayonet	"10" 1.00"(in) "25M" 25mm	"1" "1A" "5A" "4AS" "1-4AS"	"5E" (5-Pin Connector) (Only available for "4AS or 1-4AS" Options)
			No Options (3-Port Connector) (5-Port Connector) (4-Port Connector-Imperial Only) (4-Port Connector-Metric Only)	

## 1A 3-Port Air Connection



**REPLACEMENT PART**

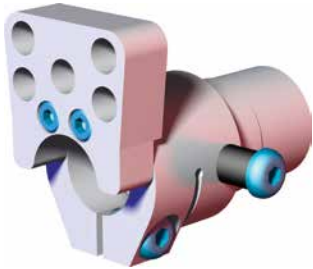
**RDC-10-3**



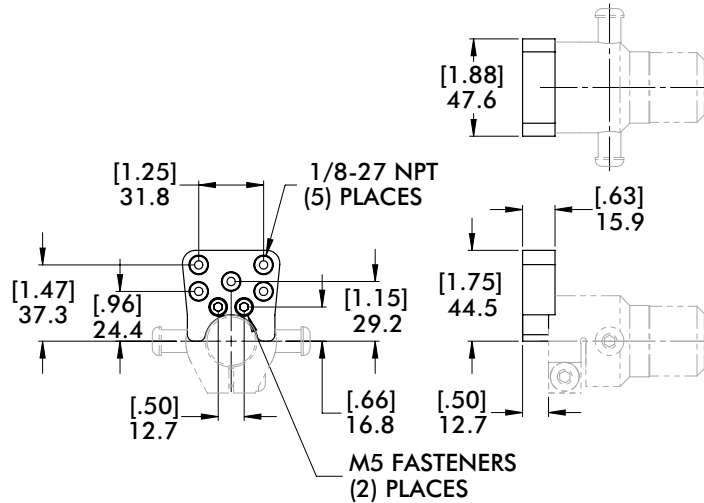
# AIR MANIFOLDS WITH OR WITHOUT ELECTRICAL CONNECTIONS

Manual Tool Changers | RDC-10/25 Series Bayonets | Dimensions

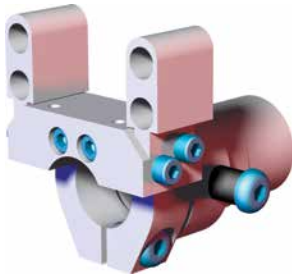
## 5A 5-Port Air Connection



**REPLACEMENT PART**  
**RDC-10-5**

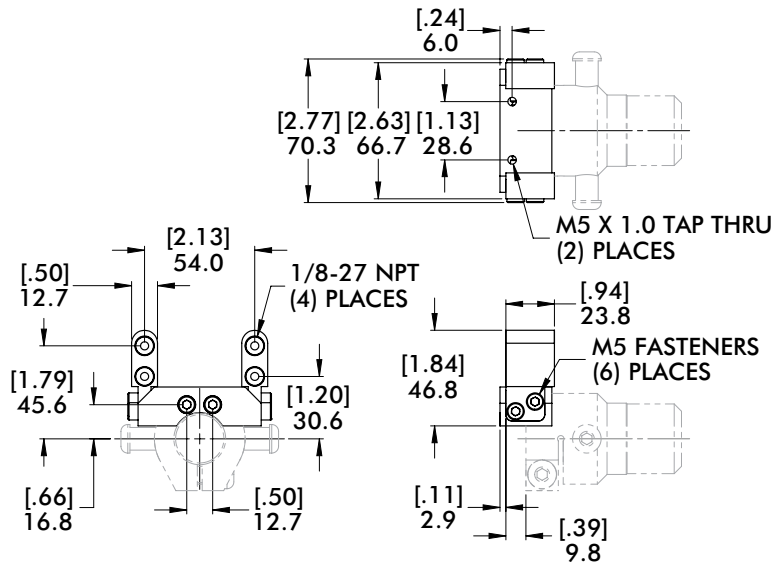


## 4AS 4-Port Air Connection with Shutoff

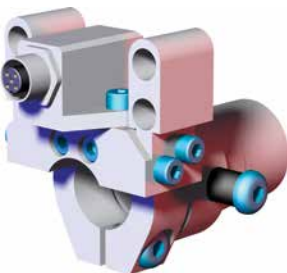


(2) Required

**REPLACEMENT PART**  
**RDC-10-4**

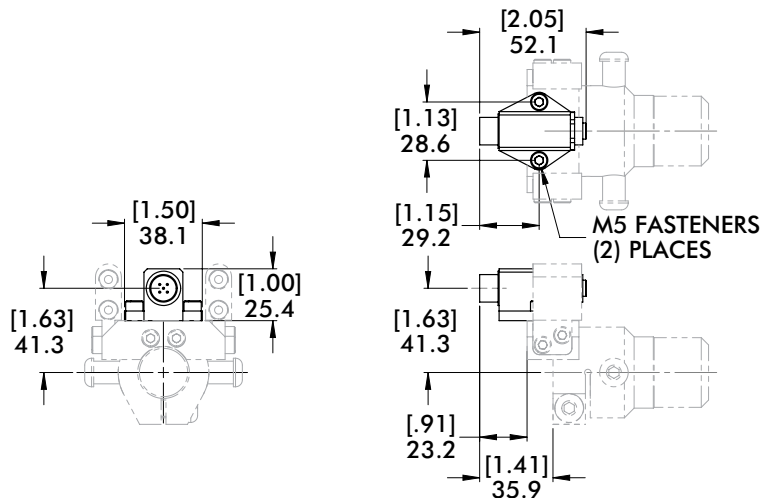


## 5E 5-Pin Micro Electric Connection



See Page 23 for Pin Configuration

**REPLACEMENT PART**  
**CPI-RDB-M5P-5MCF**



# RDN-40 DISCONNECT HOUSINGS

Manual Tool Changers | Flange Style Housing for RDC-40/150 Series Bayonets | Product Overview

## Features:

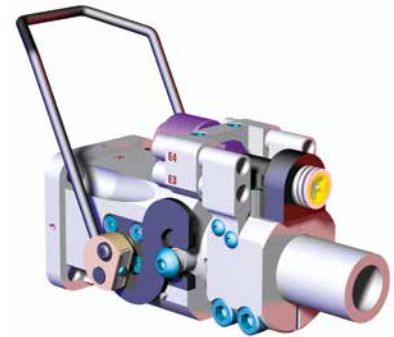
- 60.3mm [2.38 in.] Sq. Flange Mntg.
- Steel handle actuation allows quick and accurate installation, pulling the bayonet into a fixed position within the housing. This action also engages optional air and electric connectors.
- Internal urethane rings eliminate vibration and seat the bayonet securely.

## Specifications:

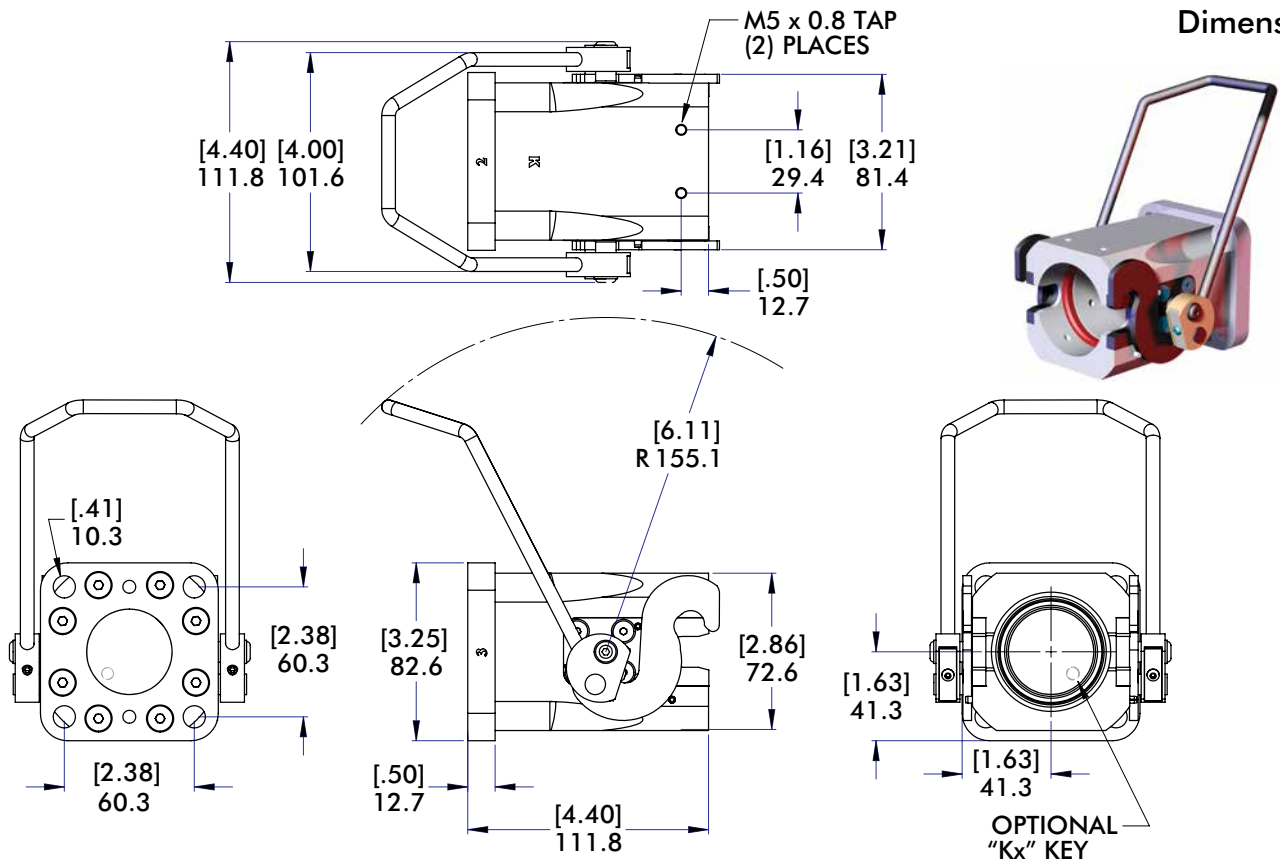
**Max. Static Product Load:**  
305 N\*m [225 ft-lb]

**Material:**  
Body: Aluminum  
Knuckles: Brass  
Handle and Hooks: Steel  
Inserts: Urethane

**Weight:**  
1.5 kg [3.3 lb]



## Dimensions



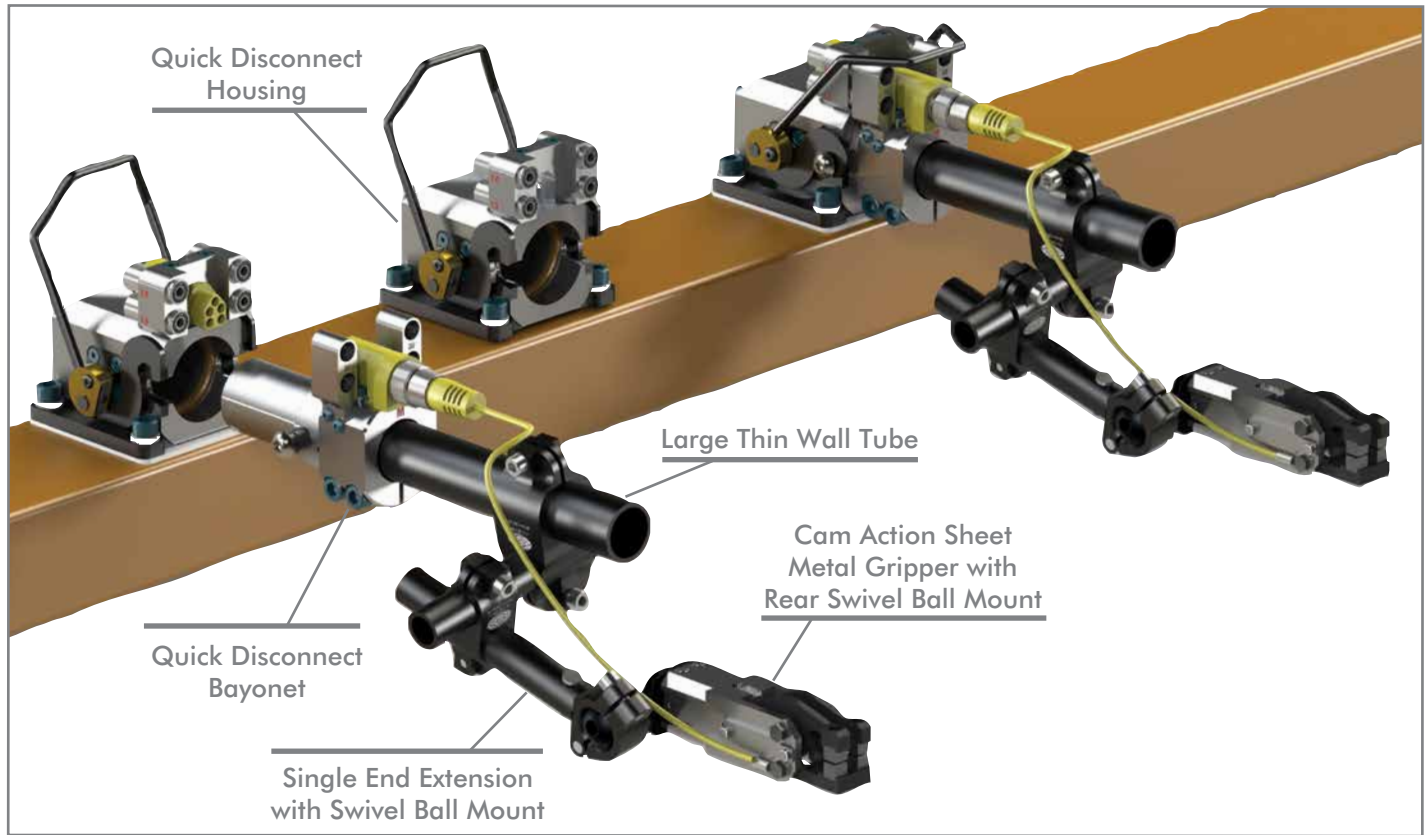
## How To Order

Add for  
"E4" or "E6"  
Air Port  
Connection  
Only

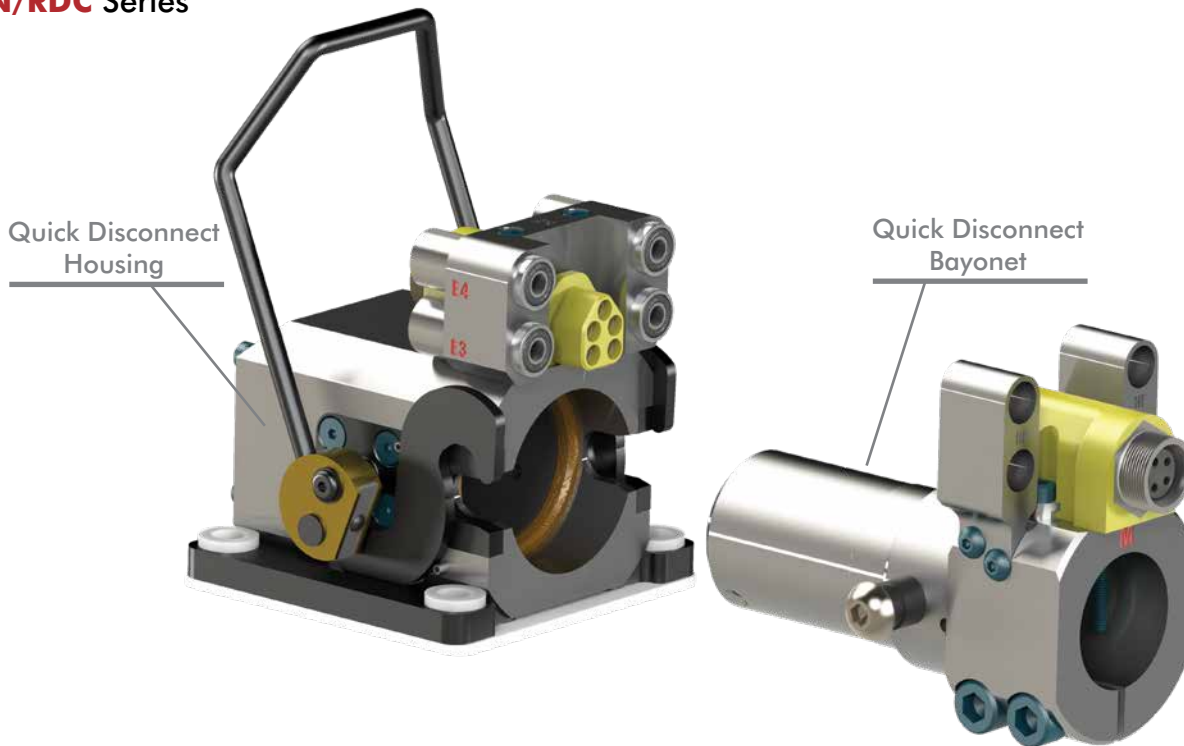
Model	Mounting	Air Port Connection	Key Position	Electrical Connection	Optional Key
CPI - <b>RDN-40</b>	- <b>1F</b>	- <b>S4</b>	- <b>K2</b>	- <b>MC</b>	- <b>HF</b>
"RDN-40" Ø40mm/1.50" Quick Disconnect Housing	"1F" Flange Type Mounting	"S4" (4-Port Internal) "E4" (4-Port External) "E6" (6-Port External) "SE4" (4-Port Int & Ext) (Leave blank for No Options)	"K1 (1-4)" "VWK (1-16)" (Leave blank for No Options)	"MC" (Micro 5-Pin) "MN" (Mini 3-Pin) (Leave blank for No Options)	

# RDN-40 BASE MOUNT DISCONNECT HOUSINGS

Manual Tool Changers | Tri-Axis Rail Tooling Example



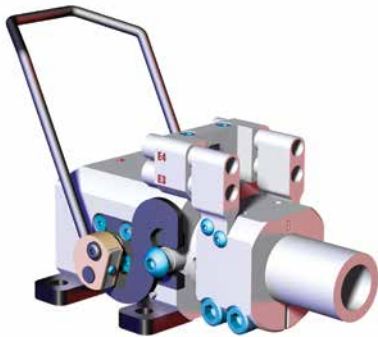
## RDN/RDC Series



Model Number	Description
CPI-RDN-40-JB-E4-5MNM-HF-INS	Quick Disconnect Housing with 4-Port High Flow Air, 5-Pin Electric, Insulation
CPI-RDC-15-E4-5MNF-HF	Quick Disconnect Bayonet with 4-Port High Flow Air, 5-Pin Electric

# RDN-40 DISCONNECT HOUSINGS

Manual Tool Changers | Base Mount Housing for RDC-40/150 Series Bayonets | Product Overview



### Specifications:

**Max. Static Product Load:**  
305 N\*m [225 ft-lb]

### Material:

Body: Aluminum  
Knuckles: Brass  
Handle and Hooks: Steel  
Inserts: Urethane

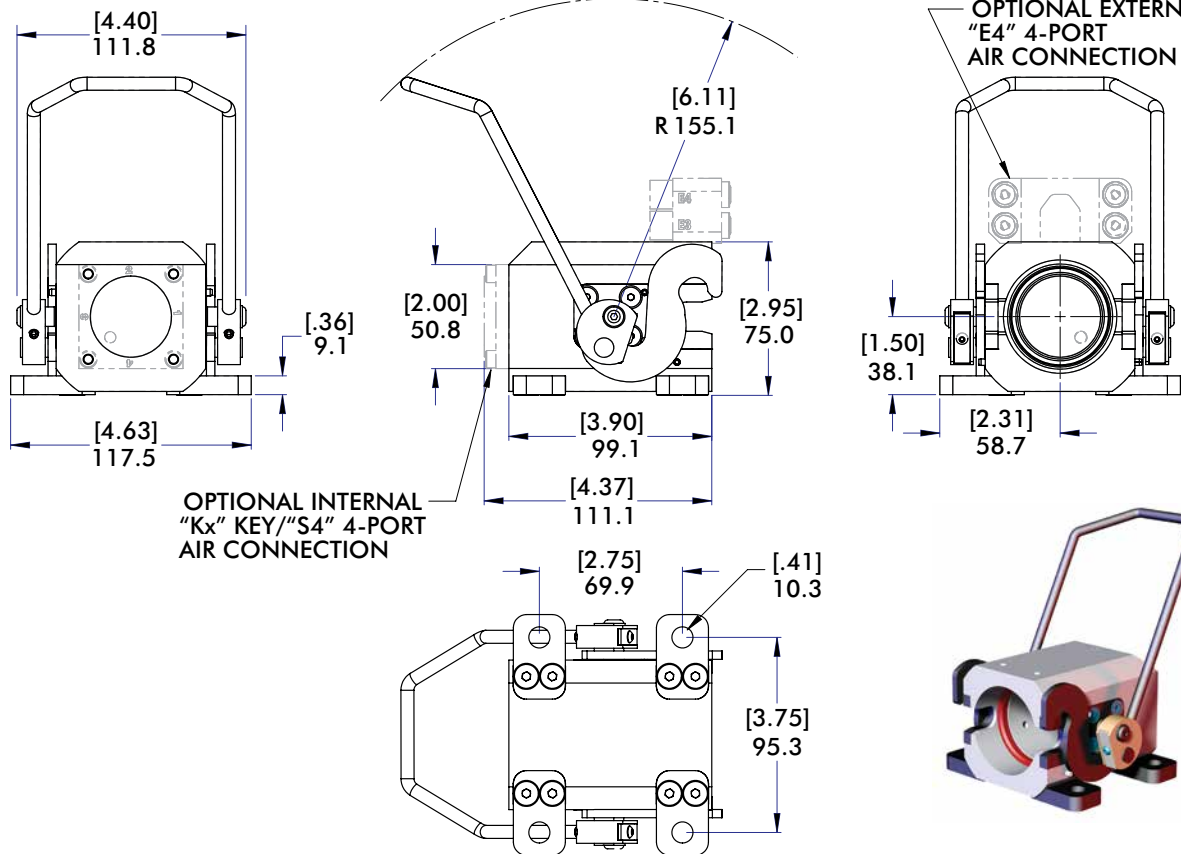
### Weight:

1.4 kg [3.1 lb]

### Features:

- 70mm x 95.3mm [2.75 in. x 3.75 in.] Base Mounting.
- Steel handle actuation allows quick and accurate installation, pulling the bayonet into a fixed position within the housing. This action also engages optional air and electric connectors.
- Internal urethane rings eliminate vibration and seat the bayonet securely.

## Dimensions, How To Order



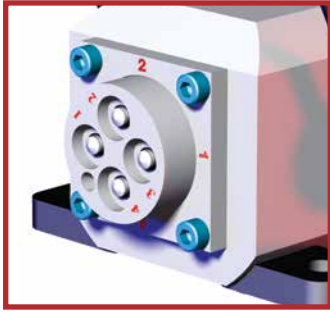
## How To Order

CPI	Model	Mounting	Air Port Connection	Key Position	Electrical Connection	Options
	<b>RDN-40</b>	<b>1B</b>	<b>S4</b>	<b>K2</b>	<b>MC</b>	<b>HF</b>
	"RDN-40" Ø40mm/1.50" Quick Disconnect Housing	"1B" Base Type Mounting	"S4" "E4" "E6" "SE4"	"K (1-4)" "VWK (1-16)" (Leave blank for No Options)	"MC" (Micro 5-Pin) "MN" (Mini 3-Pin) (Leave blank for No Options)	Add for "E4" or "E6" Air Port Connection Only
			(Leave blank for No Options)			

# TOOLING ERROR PROOF KEY AND AIR PORTS

Manual Tool Changers | RDN-40 Flange Mount Disconnect Housings | Dimensions

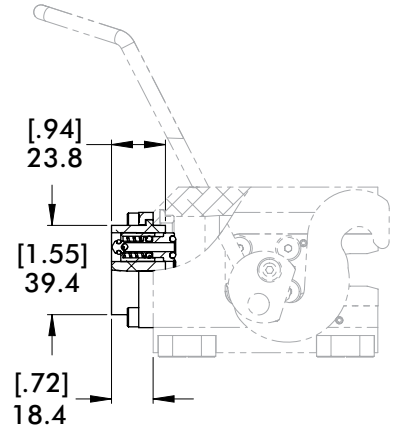
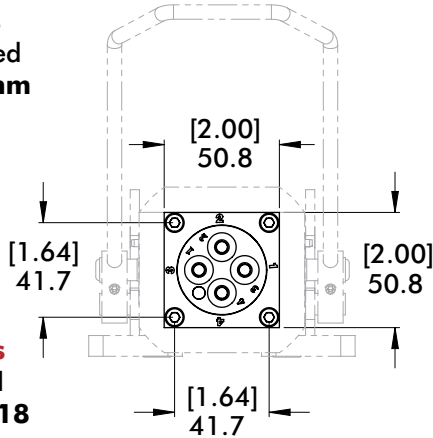
## S4 4-Port Internal Air Connection for Base Style Mounting



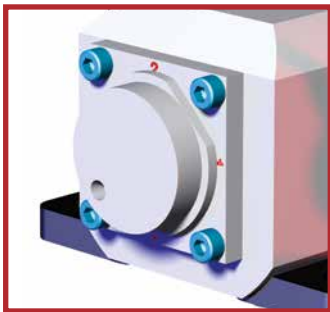
**REPLACEMENT PART**  
RDN-40-10-IAB

**Dowels**  
(1) Needed  
M6 x 25mm

**Air fittings**  
(4) Needed  
RDN-SAS-U18

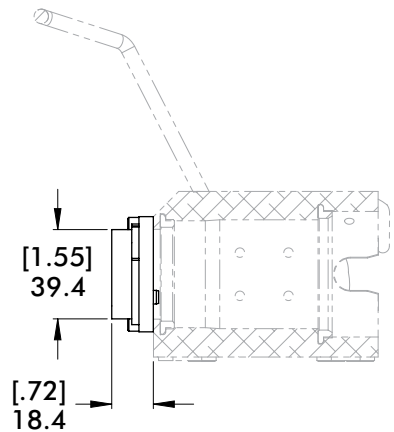
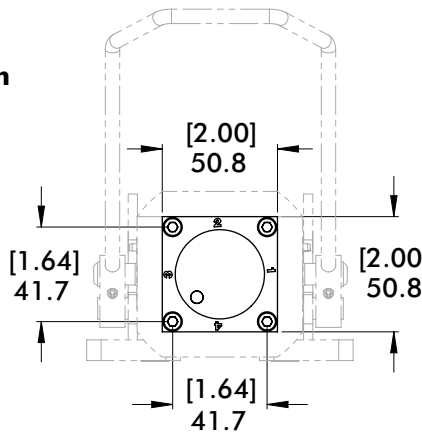


## Kx Locating Key for Base Style Mounting

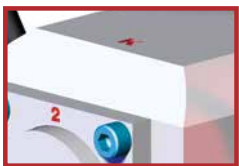


**REPLACEMENT PART**  
RDN-40-10-IKB

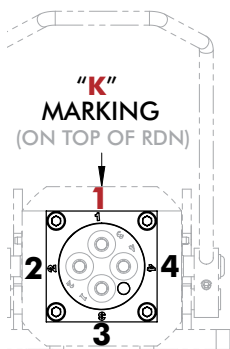
**Dowels**  
(1) Needed  
M6 x 25mm



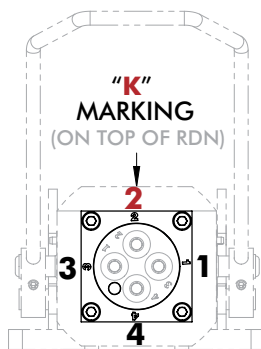
## S4 and Kx Internal Key Position for Base Style Mounting



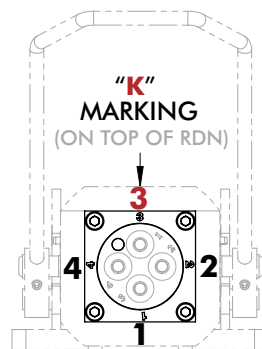
**BASE MOUNT RING**  
(1) Needed  
RDN-40-3-MR



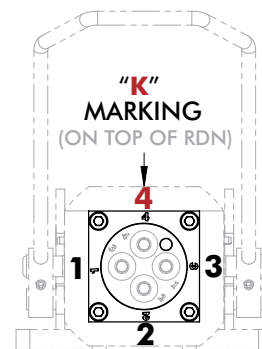
"K1" POSITION



"K2" POSITION



"K3" POSITION

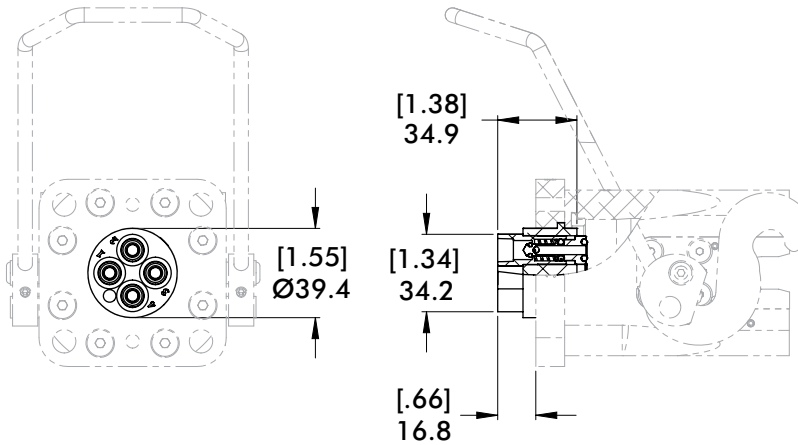


"K4" POSITION

# TOOLING ERROR PROOF KEY AND AIR PORTS

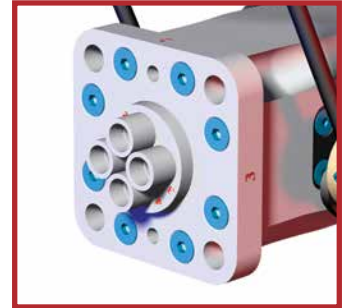
Manual Tool Changers | RDN-40 Flange Mount Disconnect Housings | Mounting

## S4 4-Port Internal Air Connection for Flange Style Mounting



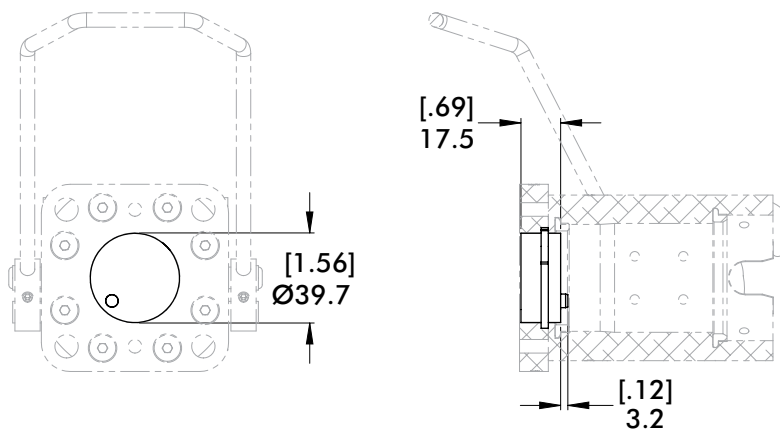
**Dowels**  
(1) Needed  
M6 x 25mm

**Air fittings**  
(4) Needed  
RDN-AS-U18



**REPLACEMENT PART**  
RDN-40-10-IAB

## Kx Locating Key for Flange Style Mounting

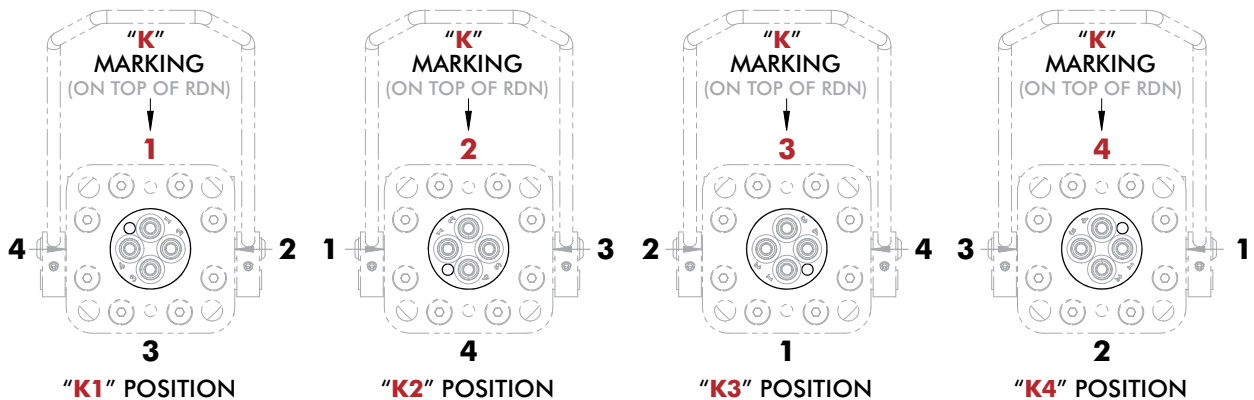
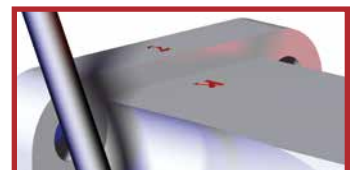


**Dowels**  
(1) Needed  
M6 x 25mm



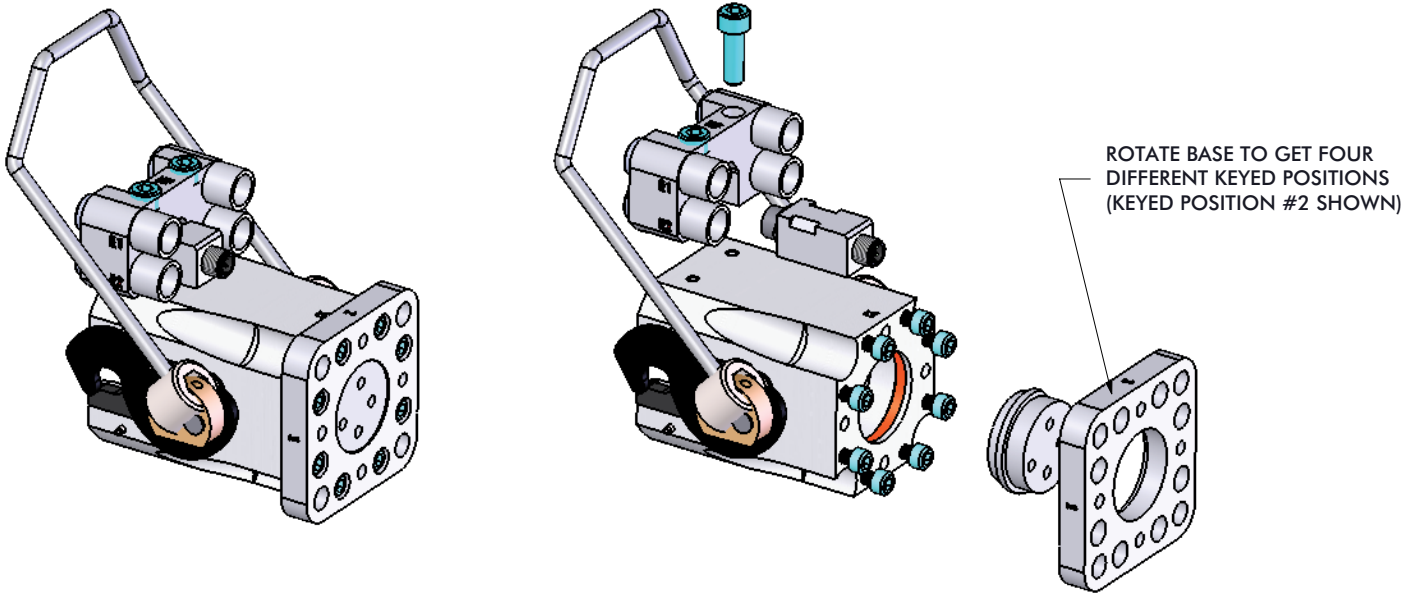
**REPLACEMENT PART**  
RDN-40-10-IKB

## S4 and Kx Internal Key Position for Flange Style Mounting

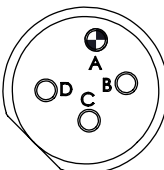
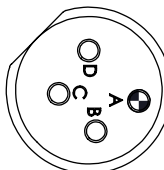
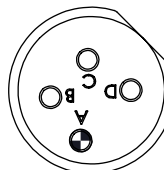
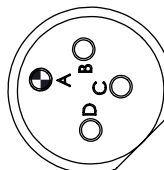
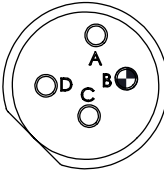
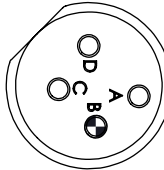
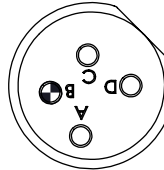
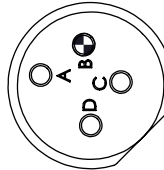
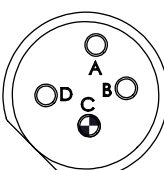
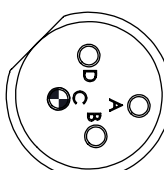
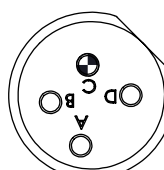
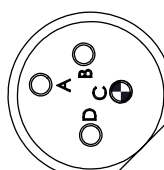
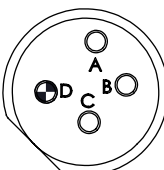
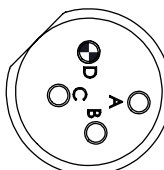
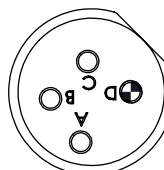
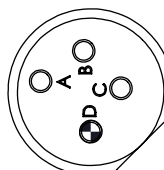


# TOOLING ERROR PROOF KEY POSITIONS

## Manual Tool Changers | Key Position Callout Chart



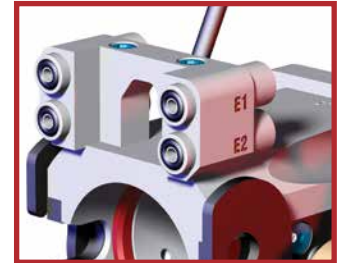
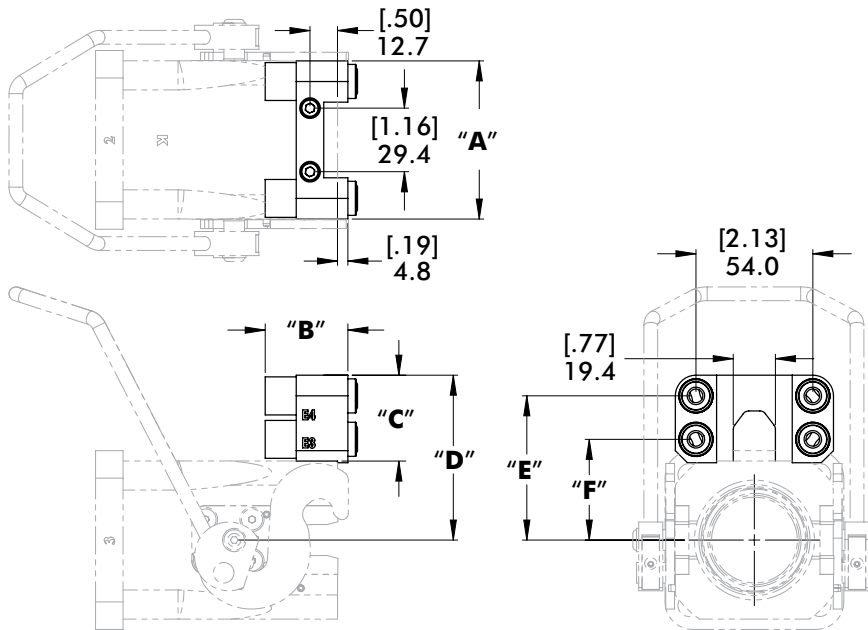
VIEWED FROM FRONT OF HOUSING

	POSITION #1	POSITION #2	POSITION #3	POSITION #4
DOWEL IN HOLE A				
	VWK1	VWK5	VWK9	VWK13
DOWEL IN HOLE B				
	VWK2	VWK6	VWK10	VWK14
DOWEL IN HOLE C				
	VWK3	VWK7	VWK11	VWK15
DOWEL IN HOLE D				
	VWK4	VWK8	VWK12	VWK16

# AIR PORTS

## Manual Tool Changers | RDN-40 Series Disconnect Housing | Dimensions

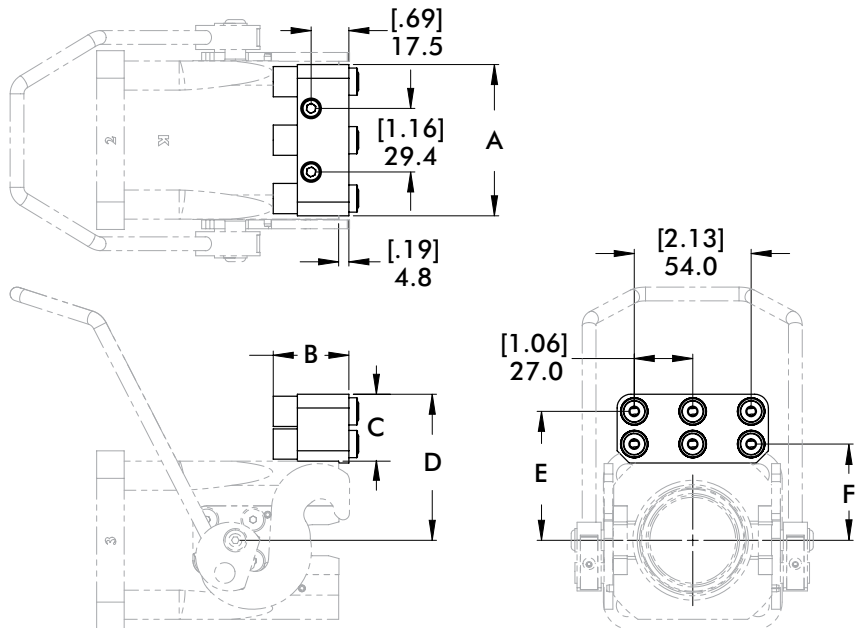
### E4 4-Port External Air Connection



**Air fittings**  
(4) Included  
**RDN-AS-U18-Standard**  
**RDN-AS-U14-High Flow**

ORDER OPTION	REPLACEMENT PART	"A"	"B"	"C"	"D"	"E"	"F"	WEIGHT
<b>"E4"</b> (Standard High Flow) (Replacement for "E4" Legacy Applications only)	<b>CPI-RDN-40-4AS-HF</b>	[2.88] 73.0	[1.50] 38.1	[1.56] 39.6	[3.00] 76.1	[2.62] 66.6	[1.83] 46.5	[0.38 lb] 0.23 kg
	<b>CPI-RDN-40-4AS</b>	[2.75] 69.9	[1.38] 34.9	[1.22] 31.0	[2.66] 67.5	[2.34] 59.5	[1.75] 44.4	[0.23 lb] 0.10 kg

### E6 6-Port External Air Connection



**Air fittings**  
(6) Included  
**RDN-AS-U18-Standard**  
**RDN-AS-U14-High Flow**

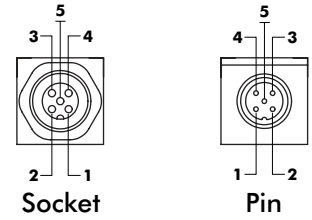
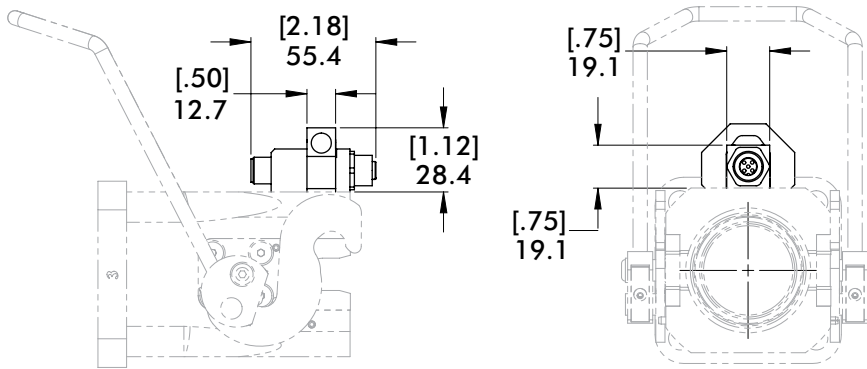
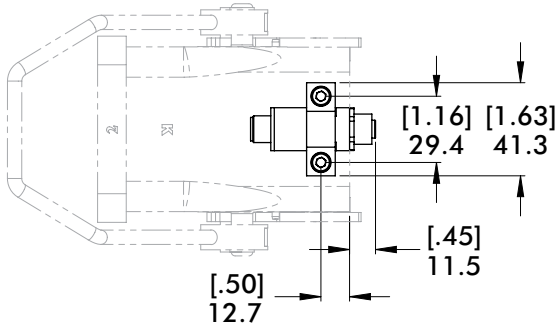
ORDER OPTION	REPLACEMENT PART	"A"	"B"	"C"	"D"	"E"	"F"	WEIGHT
<b>"E6"</b> (Standard High Flow) (Replacement for "E6" Legacy Applications only)	<b>CPI-RDN-40-10-6P-HF</b>	[3.00] 76.2	[1.5] 38.1	[1.59] 40.5	[3.03] 76.9	[2.69] 68.3	[1.87] 47.5	[0.54 lb] 0.25 kg
	<b>RDN-40-10-6AS</b>	[2.75] 69.9	[1.38] 34.9	[1.22] 31	[2.66] 67.5	[2.43] 59.5	[1.75] 44.4	[0.37 lb] 0.17 kg



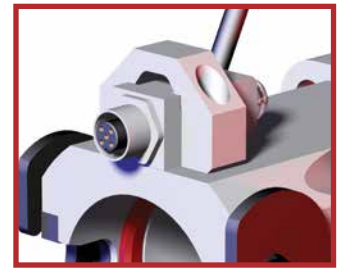
# ELECTRICAL CONNECTIONS

Manual Tool Changers | RDN-40 Series Disconnect Housings | Dimensions

## MC 5-Pin Micro Electric Connection



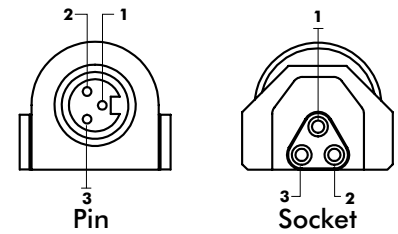
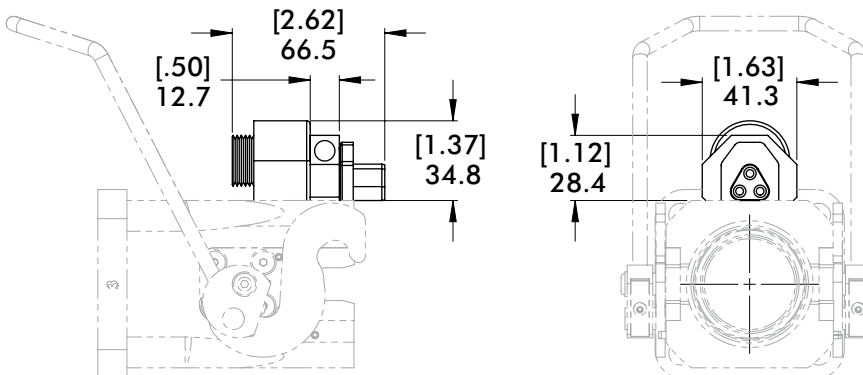
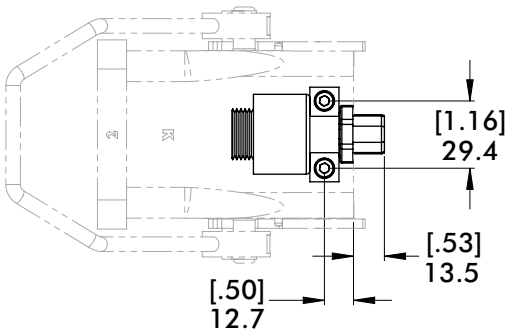
SOCKET #1	PIN #1
SOCKET #2	PIN #2
SOCKET #3	PIN #3
SOCKET #4	PIN #4
SOCKET #5	PIN #5



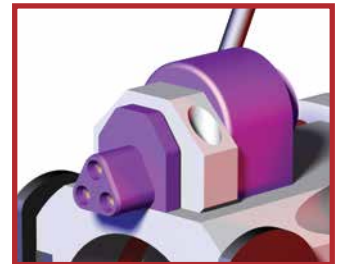
### Part Number

Plug & Strap	CPI-RDH-F5S-5MCM
Plug	RDH-F5S-5MCM
Strap	540-22005

## MN 3-Pin Mini Electric Connection



SOCKET #1	PIN #1
SOCKET #2	PIN #2
SOCKET #3	PIN #3



### REPLACEMENT PART

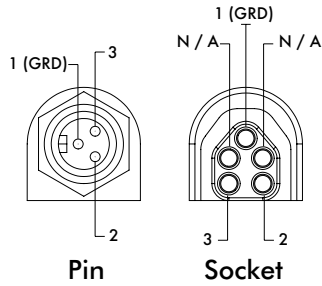
**CPI-TTH-F3S-3B3**

# ELECTRICAL CONNECTIONS

## Manual Tool Changers | RDN-40 Series Disconnect Housings | Dimensions

### 5-Pin Mini Electric Connection

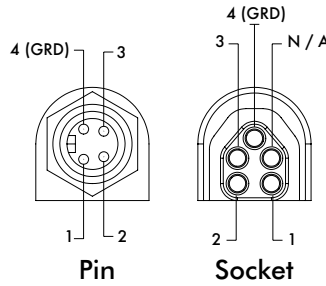
CPI-RDN-40-F5S-3MNM



SOCKET #1	GREEN	PIN #1
SOCKET #2	BLACK	PIN #2
SOCKET #3	WHITE	PIN #3
N / A		PIN #3
N / A		

PLUG COLOR: BLACK

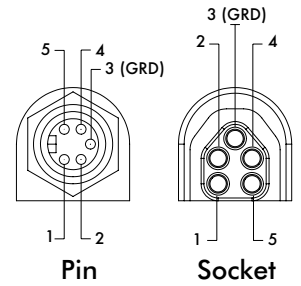
CPI-RDN-40-F5S-4MNM



SOCKET #1	BLACK	PIN #1
SOCKET #2	WHITE	PIN #2
SOCKET #3	RED	PIN #2
SOCKET #4	GREEN	PIN #3
N / A		PIN #4

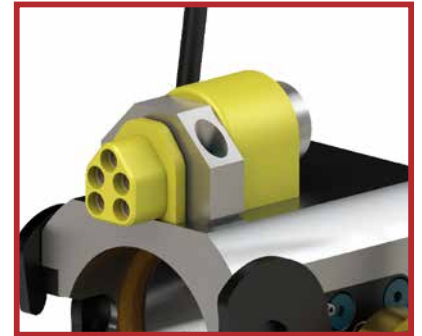
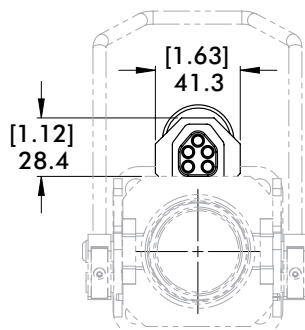
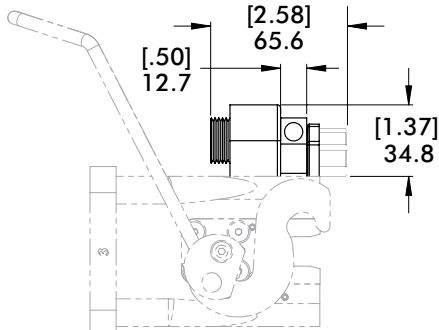
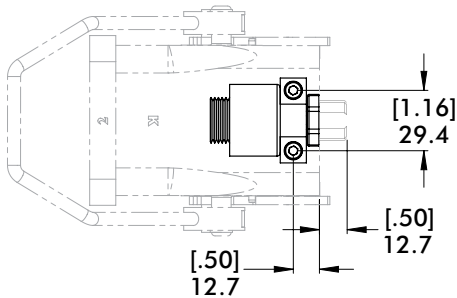
PLUG COLOR: GREEN

CPI-RDN-40-F5S-5MNM

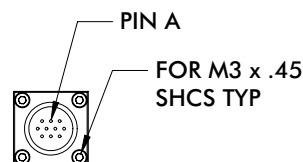
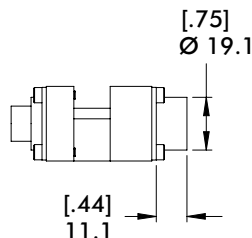
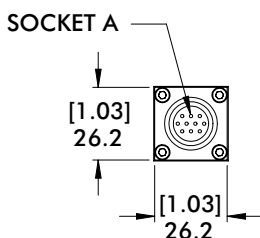
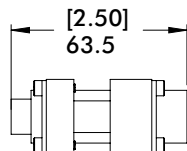


SOCKET #1	WHITE	PIN #1
SOCKET #2	RED	PIN #2
SOCKET #3	GREEN	PIN #3
SOCKET #4	ORANGE	PIN #4
SOCKET #5	BLACK	PIN #5

PLUG COLOR: YELLOW



Strap not included



### 10-Pin Amphenol

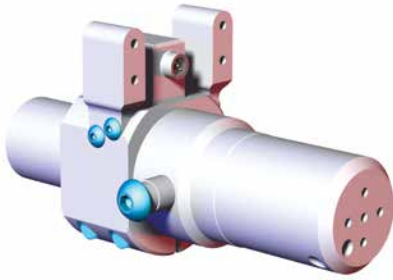


**REPLACEMENT PART**

**CPI-RDN-40-5-10**

# RDC SERIES BAYONET

Manual Tool Changers | 40mm / 1.50" Diameter Booms | Product Overview



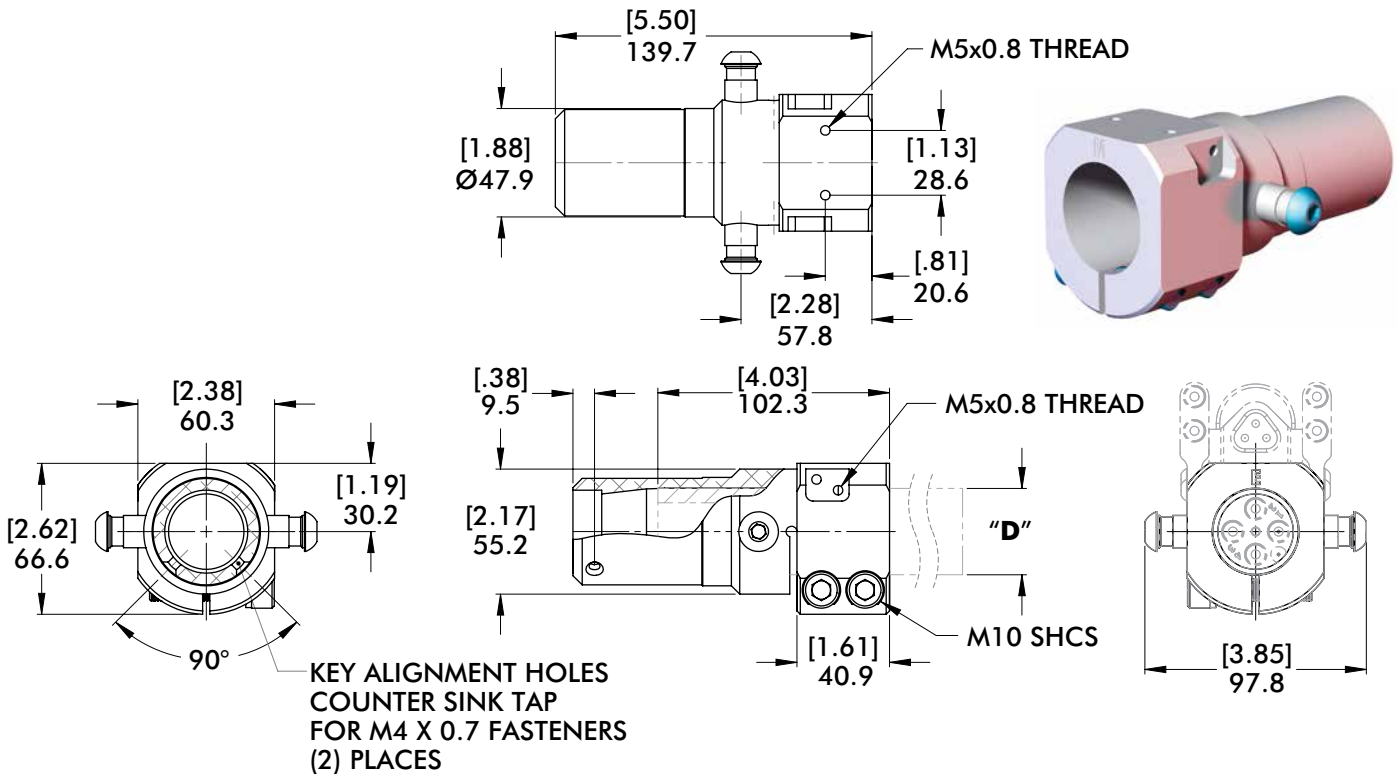
## Features:

- Used in conjunction with the Quick Disconnect Housing to provide efficient mode of changing tools manually.
- (2) Hardened alignment pins allows quick and accurate installation into the housing.
- Optional internal key positioning prevents bayonet from being inserted in the wrong orientation.

## Specifications:

**Max. Static Product Load:**  
305 N\*m [225 ft-lb]  
**Material:**  
Body: Aluminum  
Pins: Steel  
**Weight:**  
0.69 kg [3.5 lb]

## Dimensions



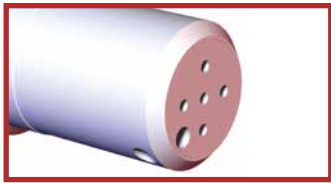
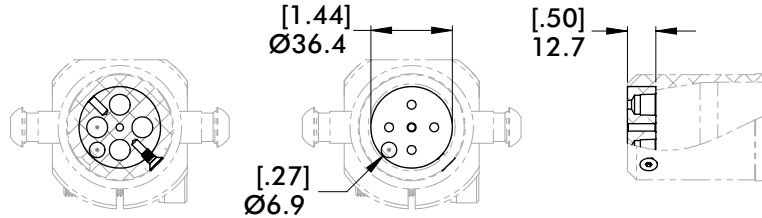
## How To Order

Model	Boom/Tube (Ø) "D"	Air Port Connection	Key Position	Electrical Connection	Add for "E4" or "E6" Air Port Connection Only
CPI - <b>RDC</b>	<b>40</b>	<b>S4</b>	<b>K1</b>	<b>MC</b>	<b>HF</b>
"RDC" Quick Disconnect Bayonet	"1510" 1.00" (in) "15" 1.50" (in) "40" 40mm Add "-1" after Boom/Tube (Ø) for No Options	"S4" (4-Port Internal) "E4" (4-Port External) "E6" (6-Port External) "SE4" (4-Port Int & Ext) (Leave blank for No Options)	"K (1-4)" "VWK (1-16)" (Leave blank for No Options)	"MC" (Micro 5-Pin) "MN" (Mini 3-Pin) (Leave blank for No Options)	

# TOOLING ERROR PROOF KEYS

Manual Tool Changers | RDC-40/150 Series Bayonets | Dimensions

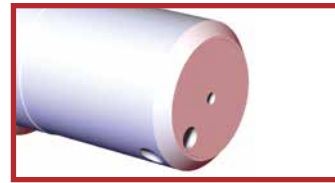
## S4 4-Port Internal Air Connection and Kx Locating Key



**"S4"** 4-Port Internal Air Connection

**REPLACEMENT PART**

**RDC-40-4-IAB**

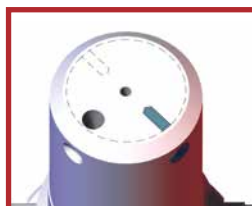
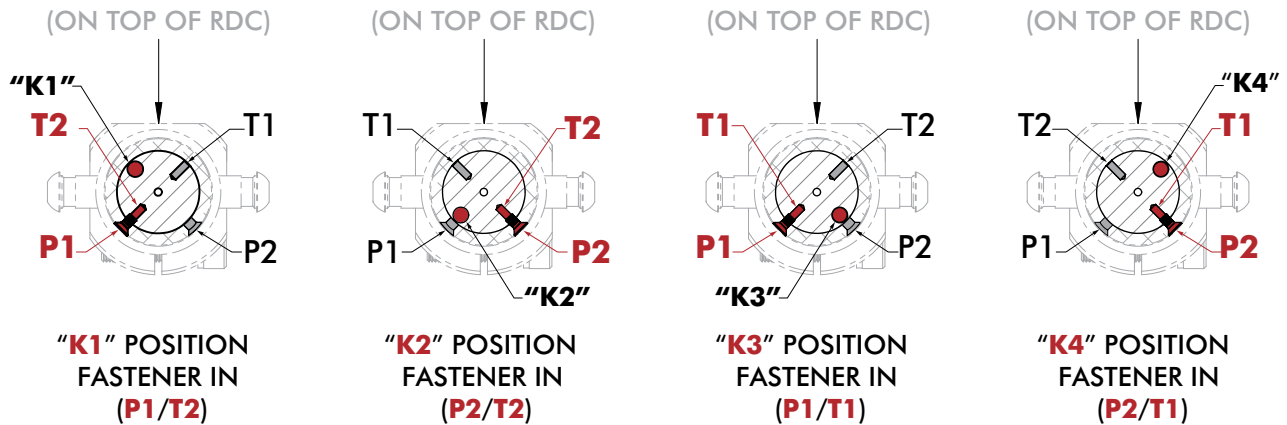


**"Kx"** Locating Key  
(x) Refers to Position

**REPLACEMENT PART**

**RDC-40-4-IKB**

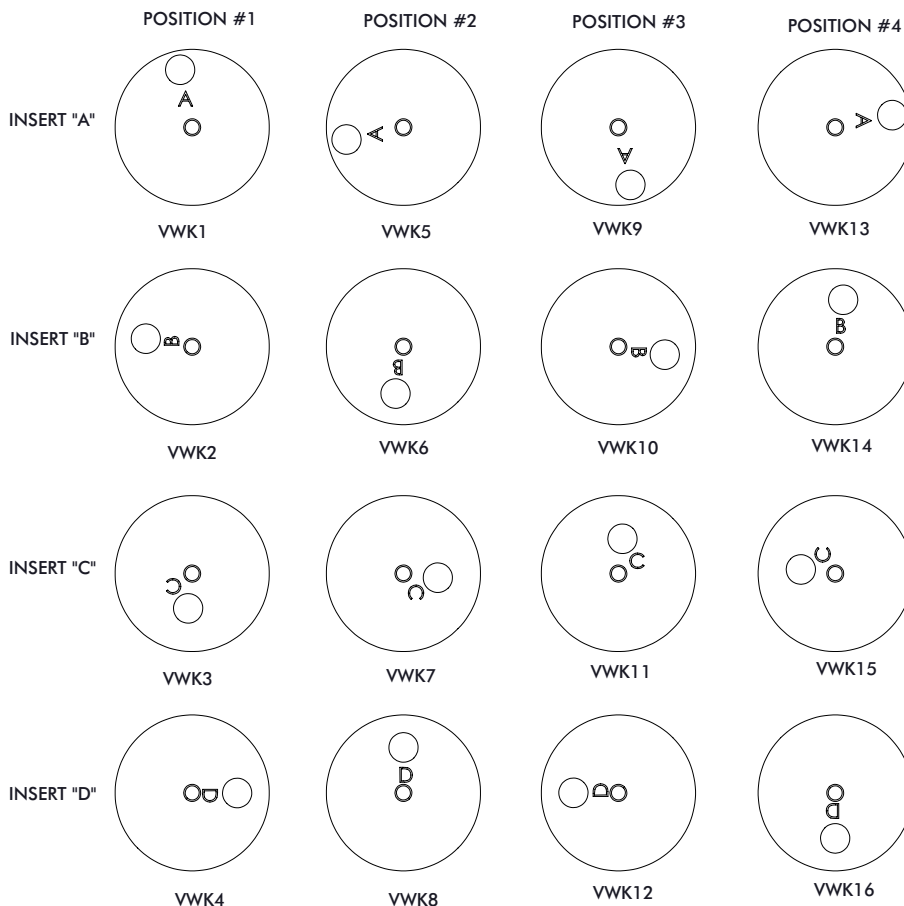
## S4 and Kx Internal Key Position



# TOOLING ERROR PROOF KEY POSITIONS

Manual Tool Changers | RDC-40/150 Series Bayonets

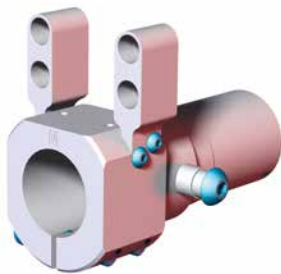
ASSEMBLY #	KEY POSITION #	KEY BLOCK #	INSERT	POSITION
CPI-RDC-40-E4-VWK1-MC-HF	VWK1	RDC-40-4-IKB-16-KA1-4	A	1
CPI-RDC-40-E4-VWK2-MC-HF	VWK2	RDC-40-4-IKB-16-KB1-4	B	1
CPI-RDC-40-E4-VWK3-MC-HF	VWK3	RDC-40-4-IKB-16-KC1-4	C	1
CPI-RDC-40-E4-VWK4-MC-HF	VWK4	RDC-40-4-IKB-16-KD1-4	D	1
CPI-RDC-40-E4-VWK5-MC-HF	VWK5	RDC-40-4-IKB-16-KA1-4	A	2
CPI-RDC-40-E4-VWK6-MC-HF	VWK6	RDC-40-4-IKB-16-KB1-4	B	2
CPI-RDC-40-E4-VWK7-MC-HF	VWK7	RDC-40-4-IKB-16-KC1-4	C	2
CPI-RDC-40-E4-VWK8-MC-HF	VWK8	RDC-40-4-IKB-16-KD1-4	D	2
CPI-RDC-40-E4-VWK9-MC-HF	VWK9	RDC-40-4-IKB-16-KA1-4	A	3
CPI-RDC-40-E4-VWK10-MC-HF	VWK10	RDC-40-4-IKB-16-KB1-4	B	3
CPI-RDC-40-E4-VWK11-MC-HF	VWK11	RDC-40-4-IKB-16-KC1-4	C	3
CPI-RDC-40-E4-VWK12-MC-HF	VWK12	RDC-40-4-IKB-16-KD1-4	D	3
CPI-RDC-40-E4-VWK13-MC-HF	VWK13	RDC-40-4-IKB-16-KA1-4	A	4
CPI-RDC-40-E4-VWK14-MC-HF	VWK14	RDC-40-4-IKB-16-KB1-4	B	4
CPI-RDC-40-E4-VWK15-MC-HF	VWK15	RDC-40-4-IKB-16-KC1-4	C	4
CPI-RDC-40-E4-VWK16-MC-HF	VWK16	RDC-40-4-IKB-16-KD1-4	D	4



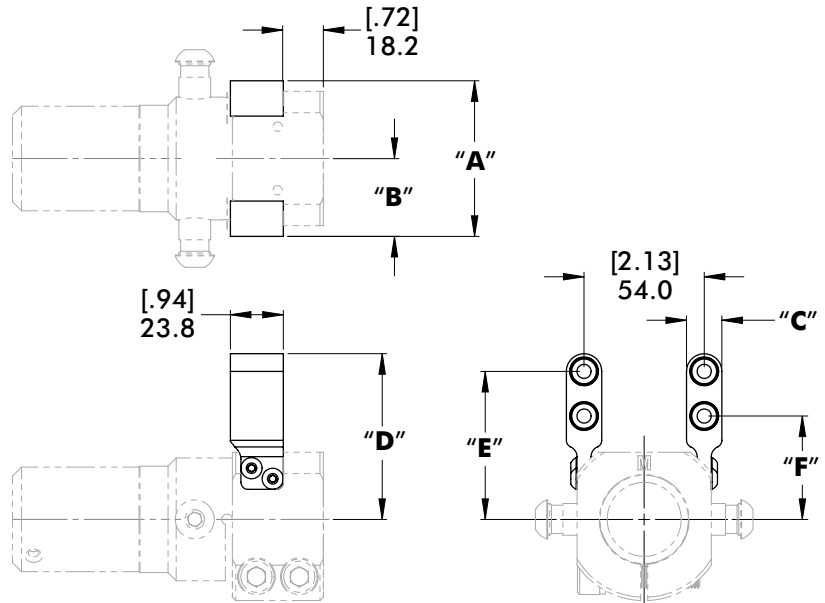
# EXTERNAL AIR MANIFOLDS

Manual Tool Changers | RDC-40/150 Series Bayonets | Dimensions

## 4-Port External Air Connection

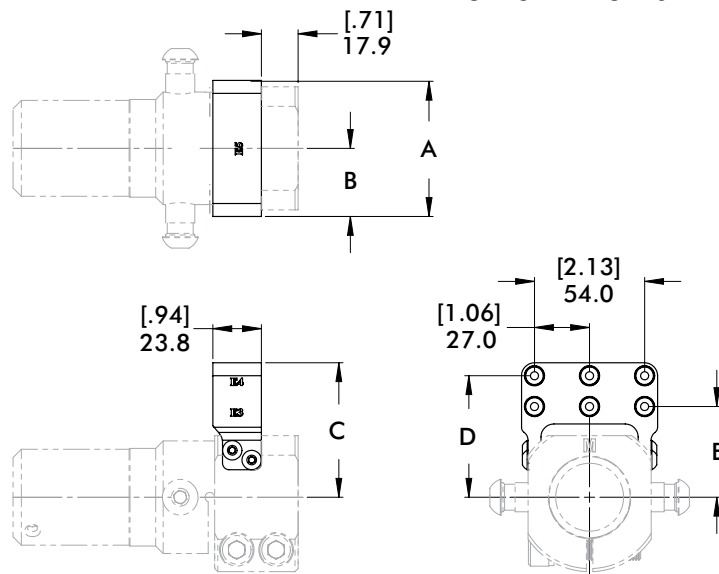
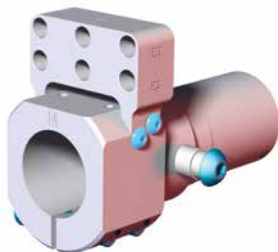


(2) Required



ORDER OPTION	REPLACEMENT PART	"A"	"B"	"C"	"D"	"E"	"F"	WEIGHT
"E4" (Standard High Flow)	<b>CPI-RDC-40-4-HF</b>	[2.75] 69.9	[1.38] 34.9	[1.56] 39.6	[3.00] 76.1	[2.62] 66.6	[1.83] 46.5	[2.90 lb] 1.32 kg
(Replacement for "E4" Legacy Applications only)	<b>CPI-RDC-40-4</b>	[2.63] 66.7	[1.30] 32.9	[1.22] 31.0	[2.66] 67.5	[2.34] 59.5	[1.75] 44.4	[2.89 lb] 1.31 kg

## 6-Port External Air Connection

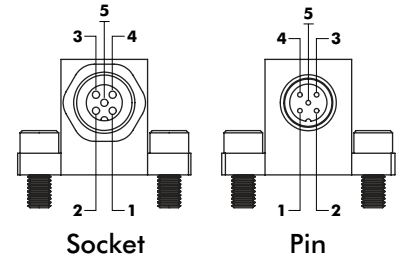
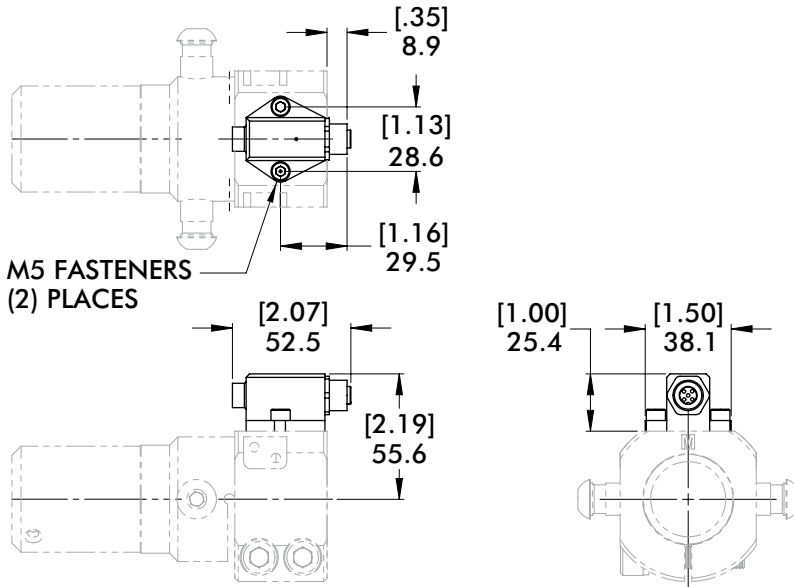


ORDER OPTION	REPLACEMENT PART	"A"	"B"	"C"	"D"	"E"
(Replacement for "E6" Legacy Applications only)	RDC-40-4-6PA	[2.61] 66.3	[1.31] 33.4	[2.59] 65.9	[2.34] 59.6	[1.75] 44.5
"E6" (Standard High Flow)	RDC-40-E6-HF	[2.75] 69.9	[1.38] 34.9	[3.12] 79.2	[2.62] 66.5	[1.83] 46.5

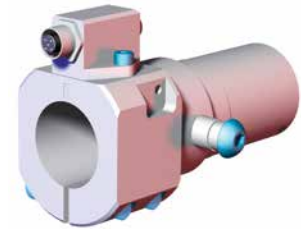
# ELECTRICAL CONNECTORS

Manual Tool Changers | RDC-40/150 Series Bayonets | Dimensions

## MC 5-Pin Micro Electric Connection

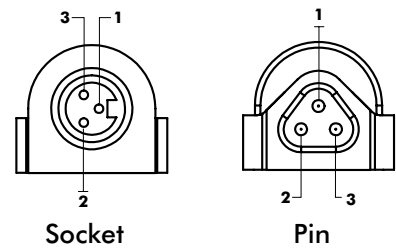
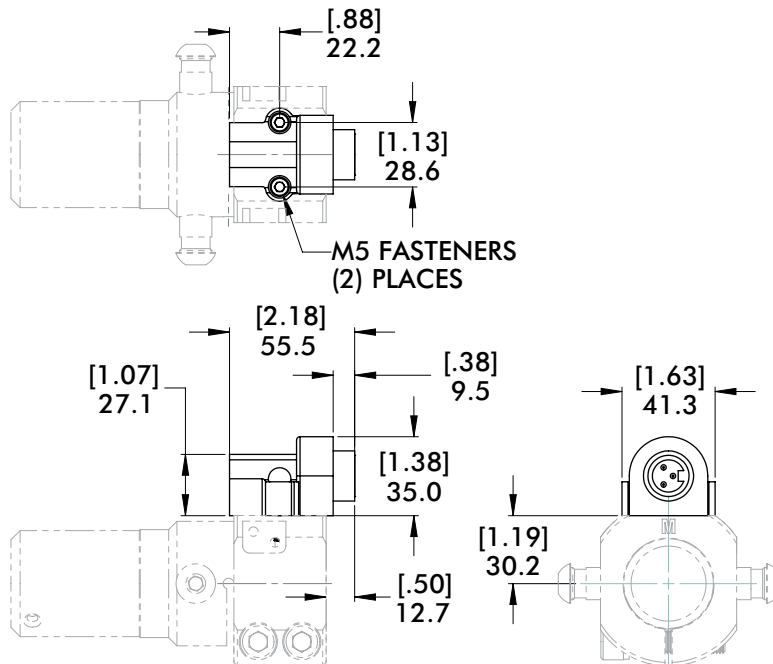


SOCKET #1	PIN #1
SOCKET #2	PIN #2
SOCKET #3	PIN #3
SOCKET #4	PIN #4
SOCKET #5	PIN #5

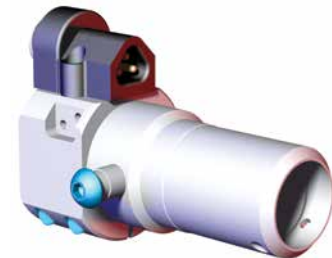


**REPLACEMENT PART**  
**CPI-RDB-M5P-5MCF**

## MN 3-Pin Mini Electric Connection



SOCKET #1	PIN #1
SOCKET #2	PIN #2
SOCKET #3	PIN #3



**REPLACEMENT PART**  
**CPI-TTB-M3P-3B3**

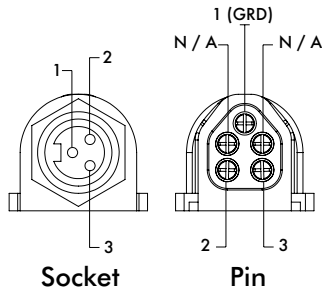
# ELECTRICAL CONNECTORS

Manual Tool Changers | RDC-40/150 Series Bayonets | Dimensions

## MNF 5-Pin Mini Electric Connection

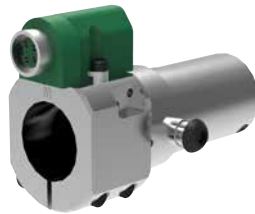


CPI-RDC-40-M5P-3MNF

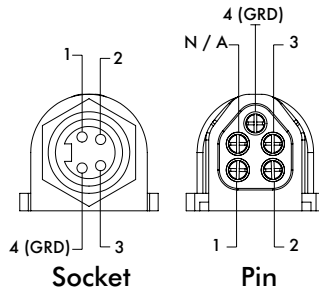


SOCKET #1	GREEN	PIN #1
SOCKET #2	BLACK	PIN #2
SOCKET #3	WHITE	PIN #3
		N / A
		N / A

PLUG COLOR: BLACK

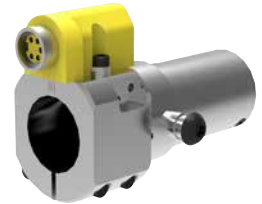


CPI-RDC-40-M5P-4MNF

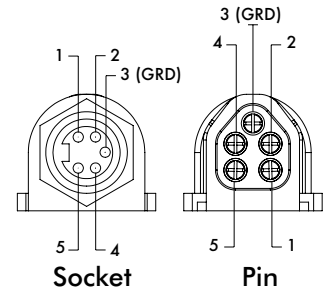


SOCKET #1	BLACK	PIN #1
SOCKET #2	WHITE	PIN #2
SOCKET #3	RED	PIN #3
SOCKET #4	GREEN	PIN #4
		N / A

PLUG COLOR: GREEN

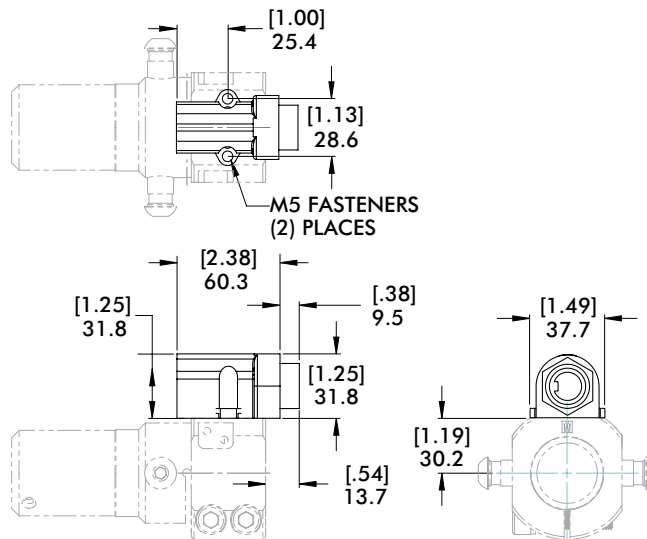


CPI-RDC-40-M5P-5MNF

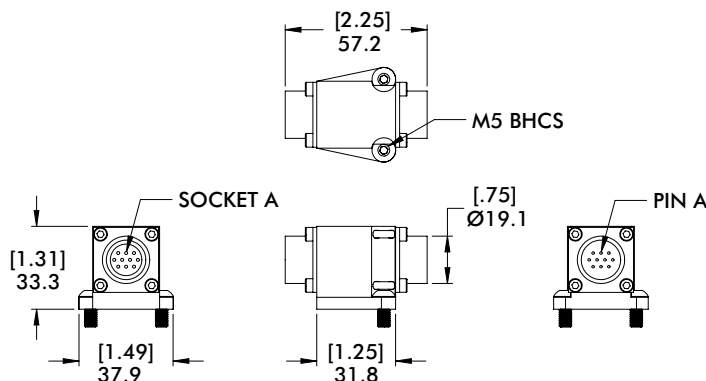


SOCKET #1	WHITE	PIN #1
SOCKET #2	RED	PIN #2
SOCKET #3	GREEN	PIN #3
SOCKET #4	ORANGE	PIN #4
SOCKET #5	BLACK	PIN #5

PLUG COLOR: YELLOW



## 10-Pin Electric Connection

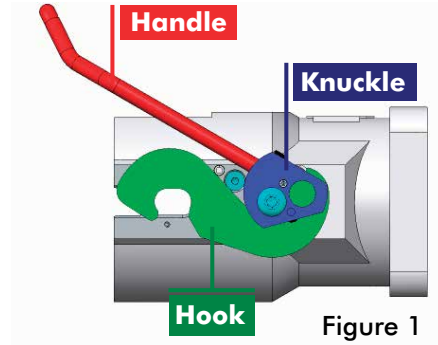


**REPLACEMENT PART**  
CPI-RDC-40-5-10



# RDN-25 SERIES DISCONNECT HOUSING

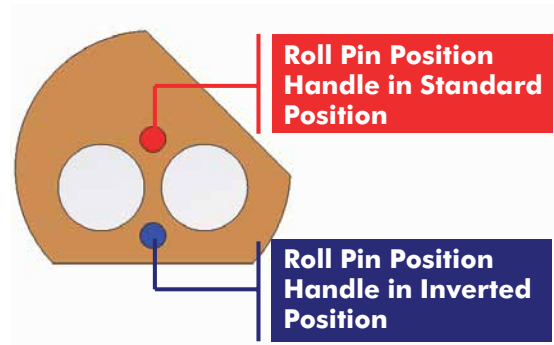
Manual Tool Changers | Instructions for Inverting the Disconnect Locking Handle



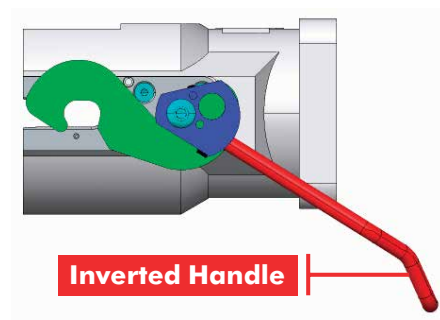
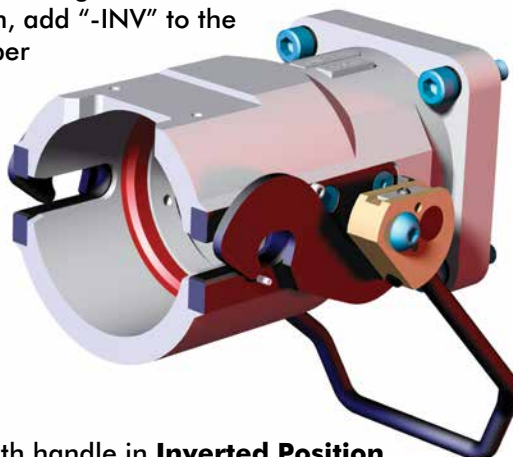
If the handle of the Quick Disconnect Housing interferes with other equipment, it can be inverted and accessed from below the housing. In the inverted position, the hooks and housing remain in the upright position.

1. Loosen the set screw at the base of the handle in each knuckle.
2. Unscrew the button head screw from each knuckle, then remove the handle. (See Figure 1)
3. Slide knuckles and hooks off the main body of the housing. (See Figure 1)
4. Slide hook off each knuckle.
5. Remove the roll pin in each knuckle and insert a 3/16 x 5/16 pin into the hole for the inverted handle position, as shown. (See Figure 2)
6. Rotate each knuckle 180° from previous position and reinstall the hooks. Return the knuckle/hook sub-assembly to the housing.
7. Reinstall handle in the inverted position and tighten set screws. (See Figure 3)

Figure 2 - Housing Knuckle



To order RDN-25 housing with handle in Inverted Position, add "-INV" to the end of order number



# RDN-25 DISCONNECT HOUSING

Manual Tool Changers | RDC-25/60 Series Bayonets | Product Overview

## Features:

- 89mm [3.50 in.] Sq. Flange Mtng.
- Steel handle actuation allows quick and accurate installation, pulling the bayonet into a fixed position within the housing. This action also engages optional air and electric connectors.
- Internal urethane rings eliminate vibration and seat the bayonet securely.

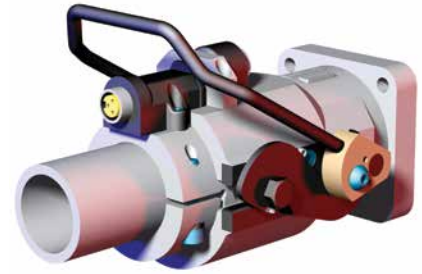
## Specifications:

**Max. Static Product Load:**  
949 N\*m [700 ft-lb]

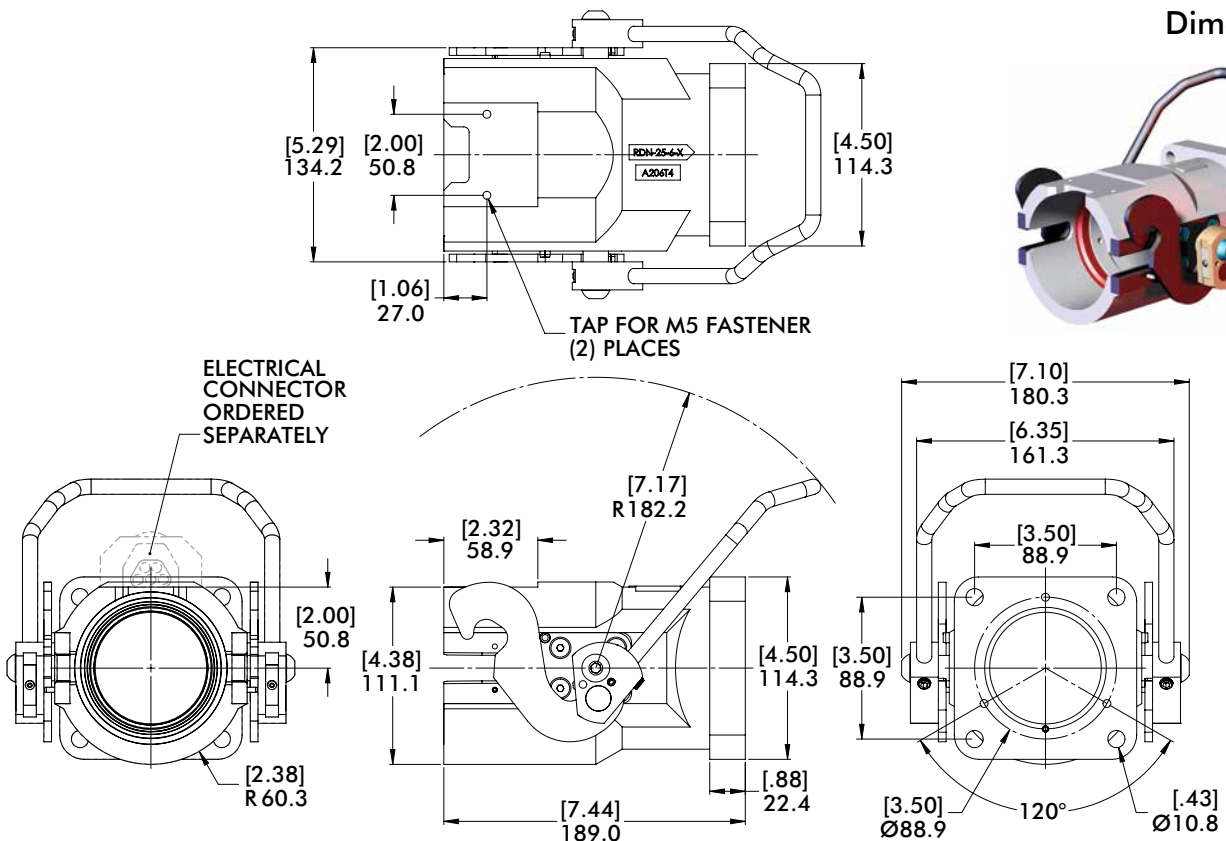
### Material:

Body: Aluminum  
Knuckles: Brass  
Handle and Hooks: Steel  
Inserts: Urethane

**Weight:**  
4.00 kg [8.90 lb]



## Dimensions



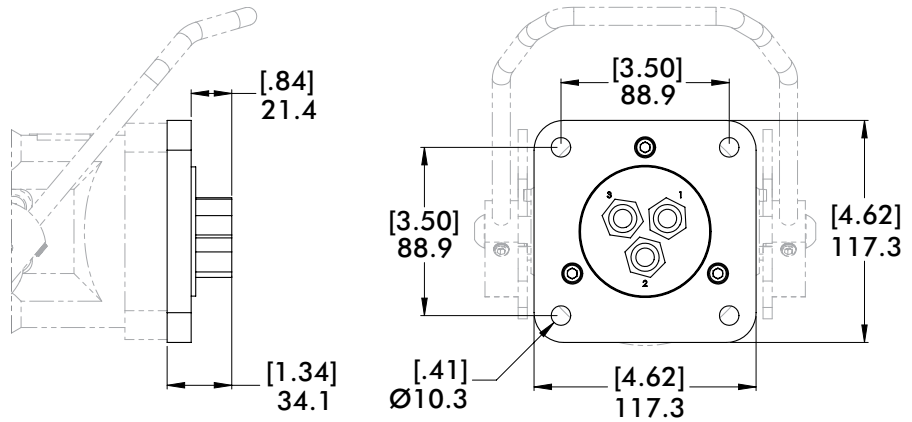
## How To Order

Model	Air Port Connection A3 (3 Port) or A6 (6-Port) "O(x)" = (Qty) of Open Ports / "S(x)" = (Qty) of Shutoff Ports	Electrical Mounting
<b>CPI</b> — <b>RDN-25-6</b>	<b>A3-O1-S2</b>	<b>EL10</b>
<b>"RDN-25-6"</b> Ø60mm/2.50" Quick Disconnect Housing	<b>"A3-O0-S3"</b> (0)Open-(3)Shutoff <b>"A3-O1-S2"</b> (1)Open-(2)Shutoff <b>"A3-O2-S1"</b> (2)Open-(1)Shutoff <b>"A3-O3-S0"</b> (3)Open-(0)Shutoff	<b>"A6-O0-S6"</b> (0)Open-(6)Shutoff <b>"A6-O1-S5"</b> (1)Open-(5)Shutoff <b>"A6-O2-S4"</b> (2)Open-(4)Shutoff <b>"A6-O3-S3"</b> (3)Open-(3)Shutoff <b>"A6-O4-S2"</b> (4)Open-(2)Shutoff <b>"A6-O5-S1"</b> (5)Open-(1)Shutoff <b>"A6-O6-S0"</b> (6)Open-(0)Shutoff
		<b>Mounting for Large Connectors</b> (Leave blank for Standard Mounting)

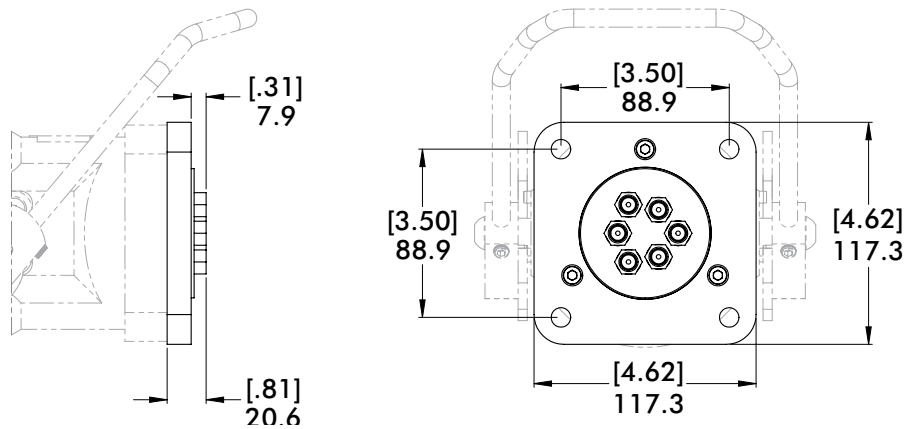
# AIR PORTS AND ELECTRICAL CONNECTIONS

Manual Tool Changers | RDN-25 Flange Mount Disconnect Housings | Dimensions

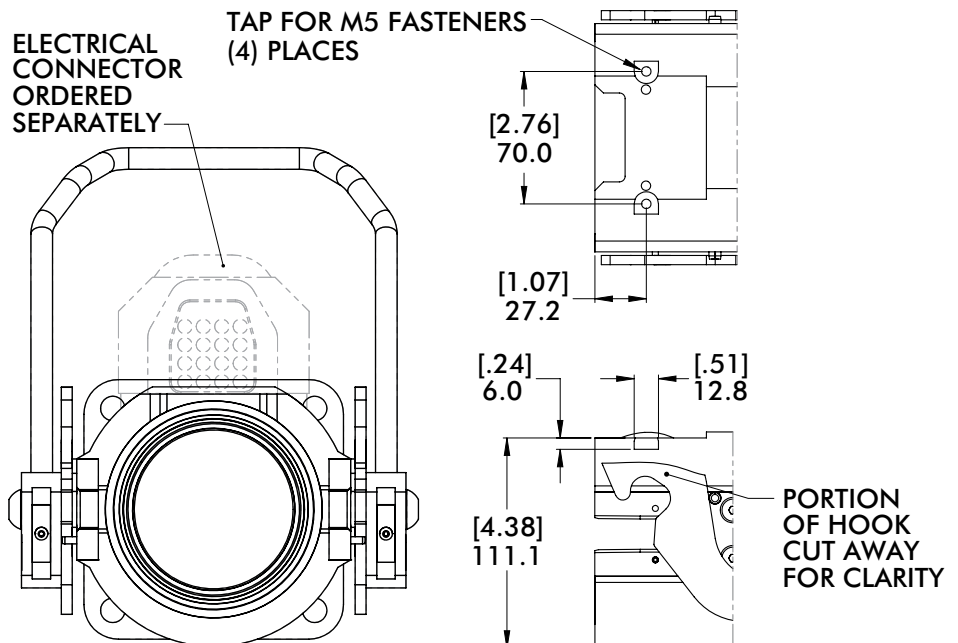
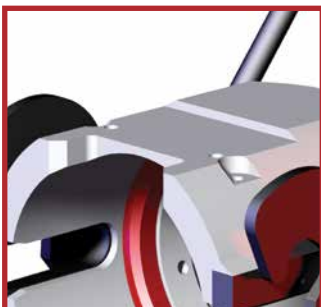
## A3 3-Port Internal Air Connection with Shutoff Option



## A6 6-Port Internal Air Connection with Shutoff Option

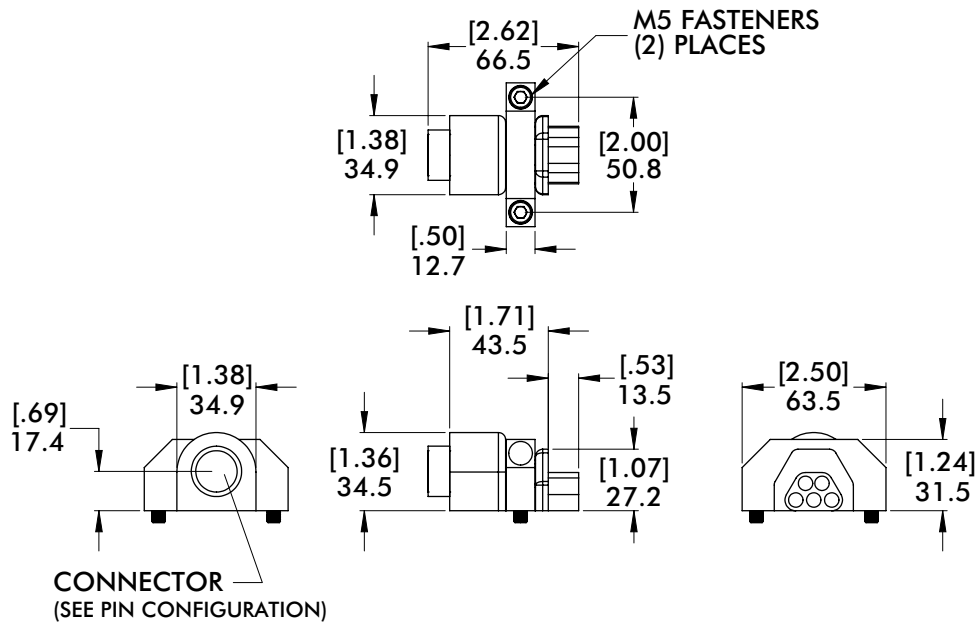


## EL10 Mounting for Large Electric Connection

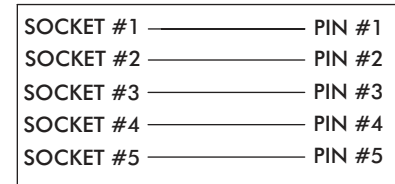
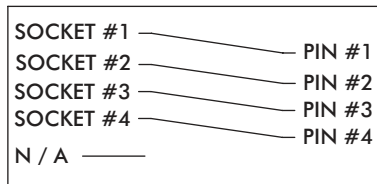
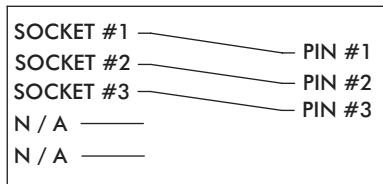
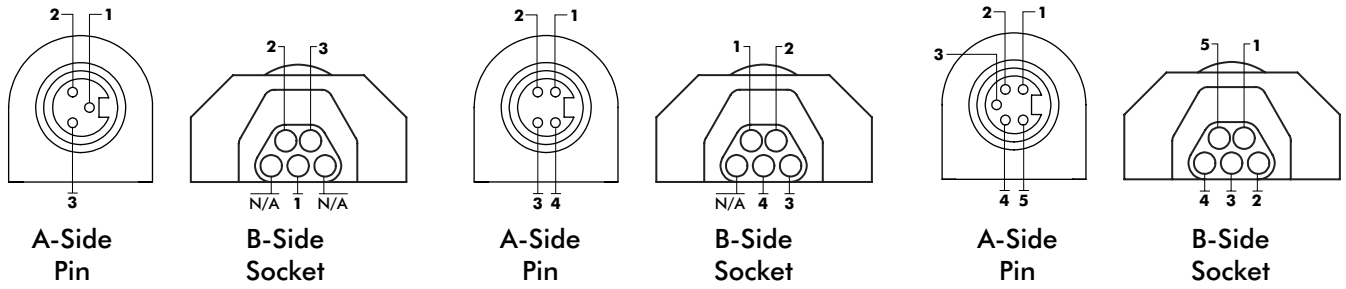


# ELECTRICAL CONNECTIONS

## Manual Tool Changers | RDN-25 Series Disconnect Housings | Dimensions



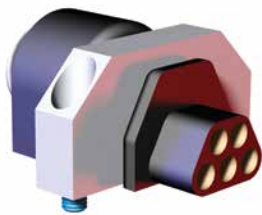
### 5 Pin Connectors for Housing - Standard Pin Configurations



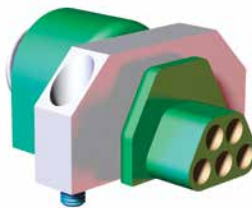
3-Pin to 5-Pin Connector	
A-Side	3-Pin, Single Key
B-Side	5-Pin, Male Plug, Female Socket

4-Pin to 5-Pin Connector	
A-Side	4-Pin, Single Key
B-Side	5-Pin, Male Plug, Female Socket

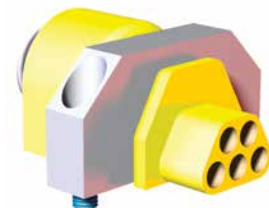
5-Pin to 5-Pin Connector	
A-Side	5-Pin, Single Key
B-Side	5-Pin, Male Plug, Female Socket



**MODEL NUMBER**  
**CPI-RDH-F5S-3B3**



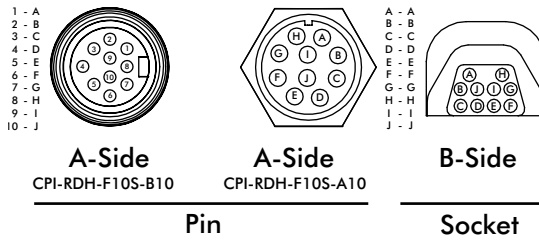
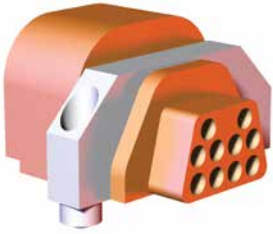
**MODEL NUMBER**  
**CPI-RDH-F5S-4B4**



**MODEL NUMBER**  
**CPI-RDH-F5S-5B5**

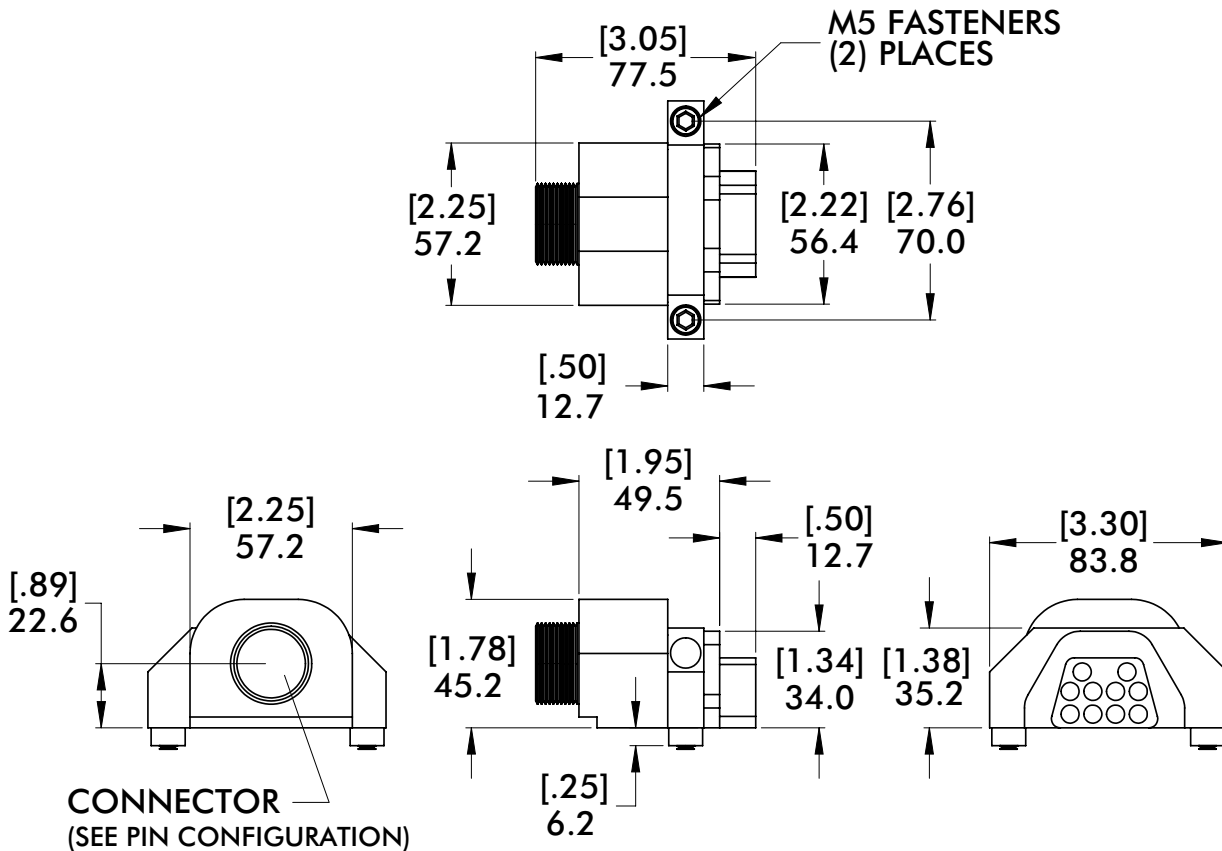
# ELECTRICAL CONNECTIONS

## Manual Tool Changers | RDN-25 Series Disconnect Housings | Dimensions



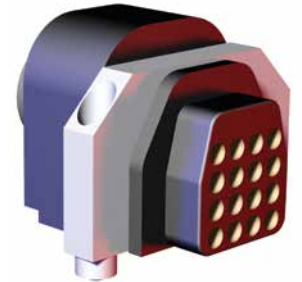
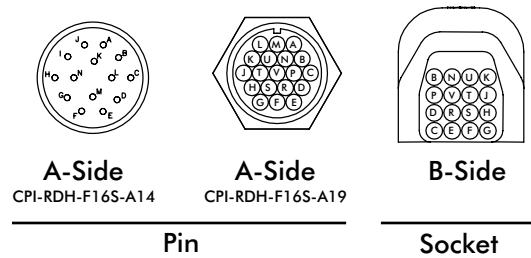
### 10 Pin Configuration

Model Number	A-Side	B-Side
<b>CPI-RDH-F10S-A10</b>	10-Pin	10-Pin, Male Plug, Female Socket
<b>CPI-RDH-F10S-B10</b>	10-Pin	



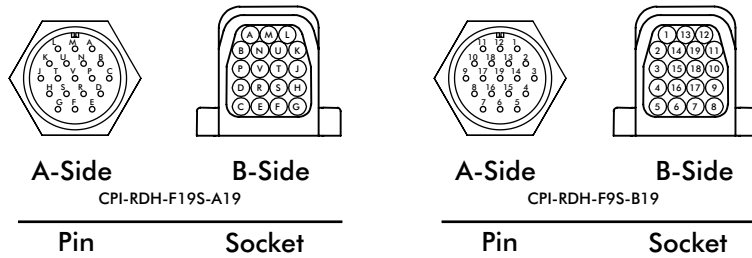
# ELECTRICAL CONNECTIONS

## Manual Tool Changers | RDN-25 Series Disconnect Housings | Dimensions



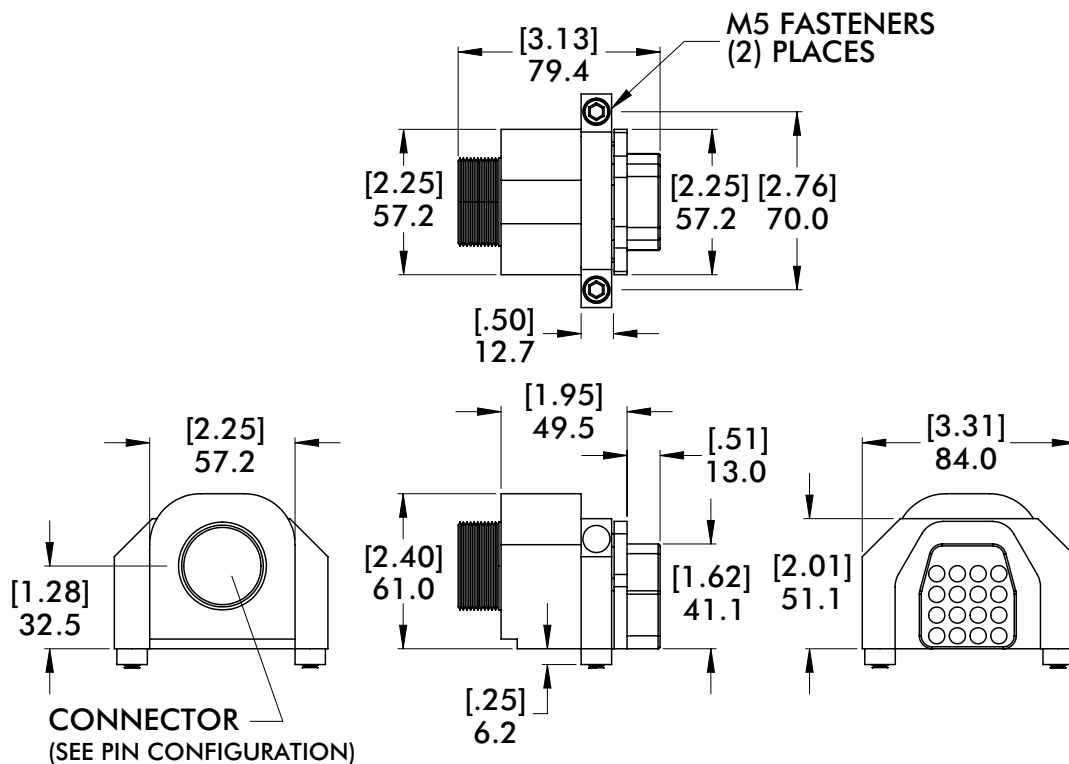
### 16 Pin Configuration

Model Number	A-Side	B-Side
<b>CPI-RDH-F16S-A19</b>	19-Pin	16-Pin, Male Plug, Female Socket
<b>CPI-RDH-F16S-A14</b>	14-Pin	



### 19 Pin Configuration

Model Number	A-Side	B-Side
<b>CPI-RDH-F19S-A19</b>	19-Pin	19-Pin, Male Plug, Female Socket
<b>CPI-RDH-F19S-B19</b>	19-Pin	



# RDC SERIES BAYONETS

Manual Tool Changers | 2.5"/60mm Diameter Booms | Product Overview

## Features:

- Used in conjunction with the Quick Disconnect Housing to provide an efficient mode of changing tools manually.
- (2) Hardened alignment pins allows quick and accurate installation into the housing.
- Optional "EL10" machined surface for large electrical connectors.

## Specifications:

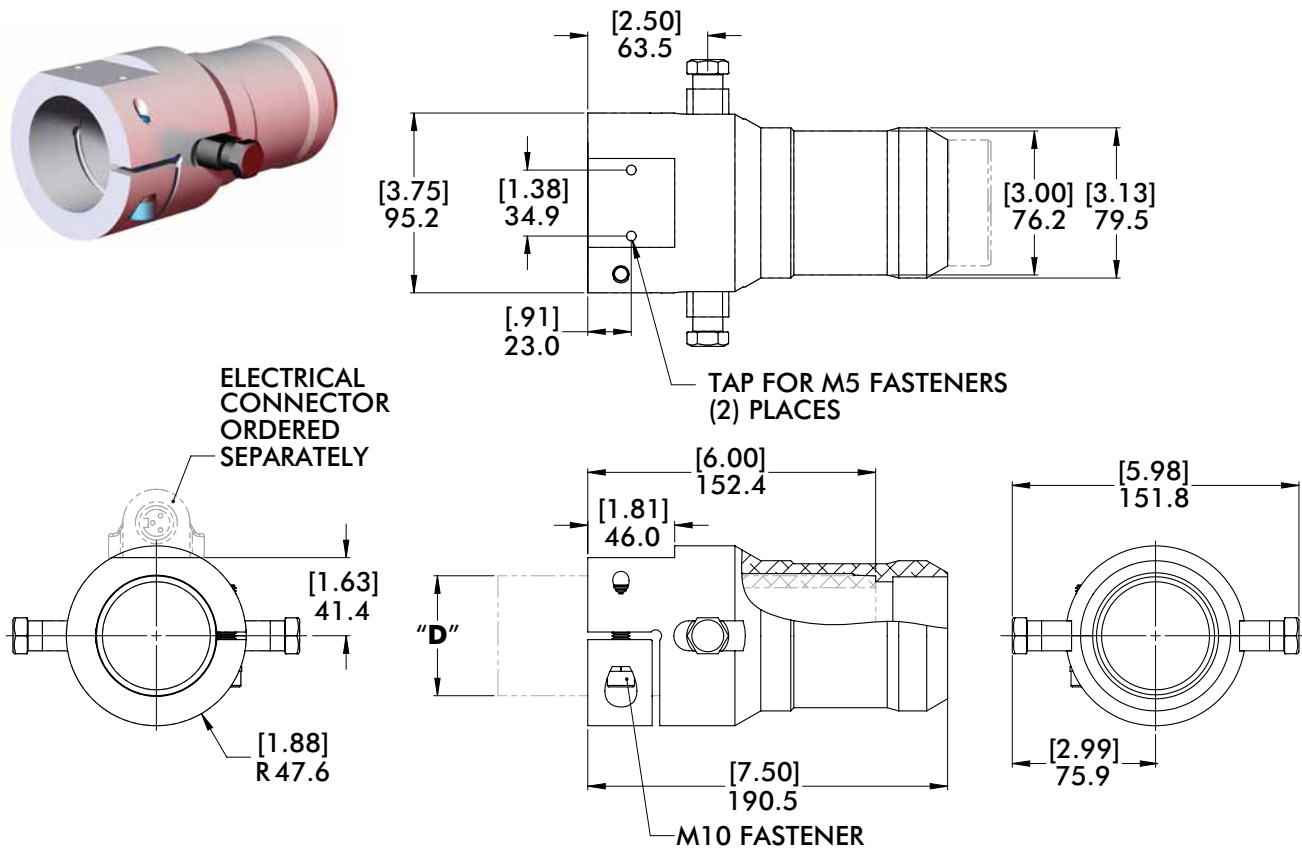
**Max. Static Product Load:**  
678 N\*m [500 ft-lb]

**Material:**  
Body: Aluminum  
Pins: Steel

**Weight:**  
1.6 kg [3.5 lb]



## Dimensions



## How To Order

	Model	Boom/Tube (Ø) "D"	Version	Air Port Connection	Electrical Mounting
<b>CPI</b>	<b>RDC</b>	<b>25</b>	<b>2</b>	<b>A3</b>	<b>EL10</b>
	"RDC" Quick Disconnect Bayonet	"25" 2.50" (in) "60" 60mm	"2" Version 2	"A3" 3-Port "A6" 6-Port	<b>Mounting for Large Connectors</b> (Leave blank for Standard Mounting)

# RDC SERIES BAYONETS

Manual Tool Changers | 2.50"/60mm Diameter High Torque Booms | Product Overview

## Features:

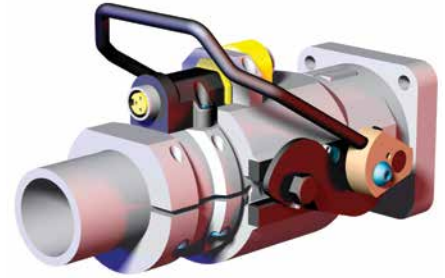
- Extended clamp area increases the holding surface and torque capacity for high speed applications.
- (2) Hardened alignment pins allows quick and accurate installation into the bayonet.
- Optional "EL10" machined surface for large electrical connectors.

## Specifications:

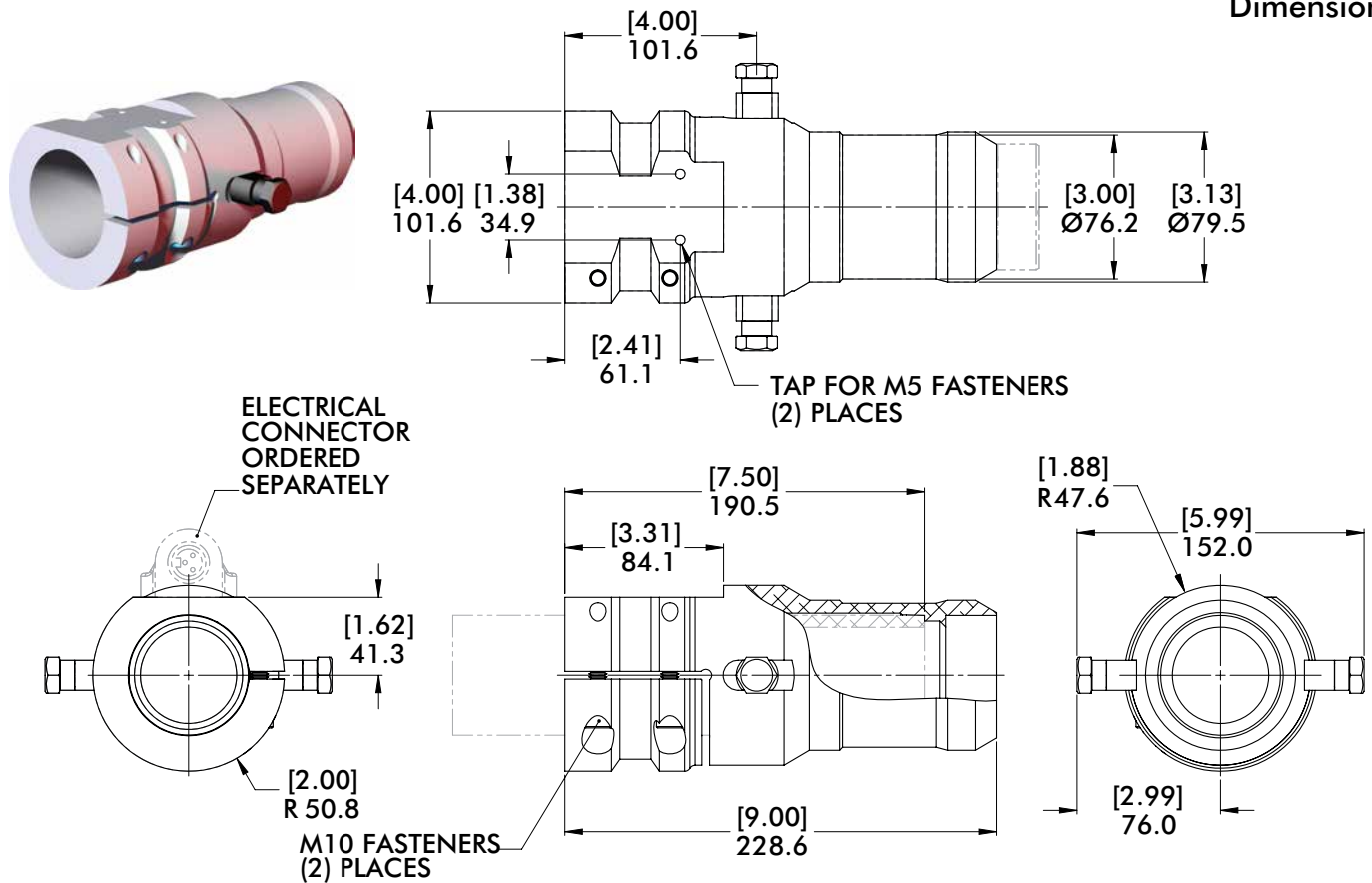
**Max. Static Product Load:**  
949 N\*m [700 ft-lb]

**Material:**  
Body: Aluminum  
Pins: Steel

**Weight:**  
2.1 kg [4.7 lb]



## Dimensions



## How To Order

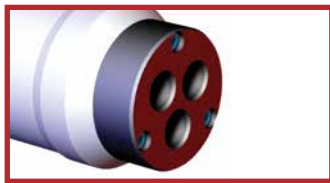
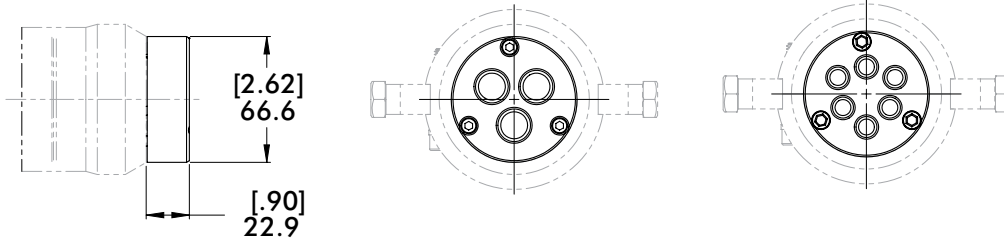
CPI	Model	Boom/Tube (Ø) "D"	Version	Air Port Connection	Electrical Mounting
—	<b>RDC</b>	—	<b>25</b>	—	<b>EL10</b>
	"RDC"	"25" 2.50"(in)	"2HT"	"A3" 3-Port	Mounting for Large Connectors
	Quick Disconnect Bayonet	"60" 60mm	Version 2 Hi-Torque	"A6" 6-Port	(Leave blank for Standard Mounting)



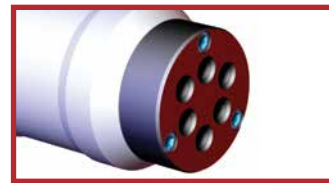
# AIR PORTS AND ELECTRICAL CONNECTIONS

Manual Tool Changers | RDC-25/60 Series Bayonets | Dimensions

## A3 3-Port/A6 6-Port Internal Air Connection



"A3" 3-Port Internal Air Connection



"A6" 6-Port Internal Air Connection

### REPLACEMENT PART

**CPI-BC-250-3-U38** (3/8 NPT ports)

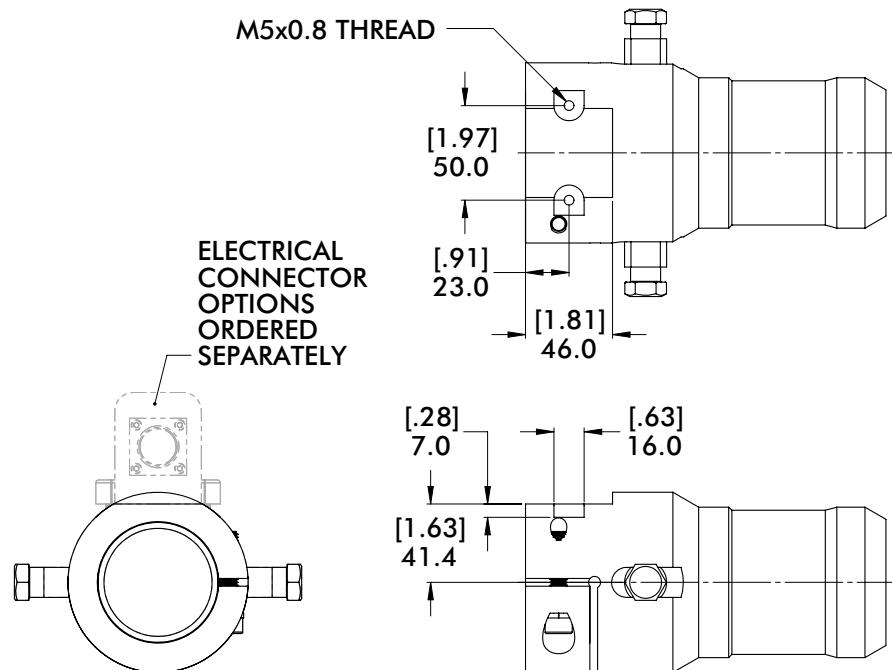
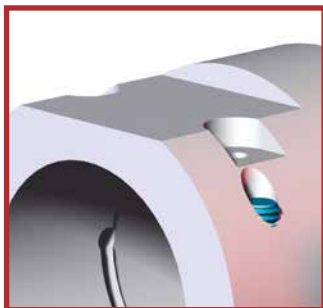
**CPI-BC-60-3-G38** (G3/8 ports)

### REPLACEMENT PART

**CPI-BC-250-6-U18** (1/8 NPT ports)

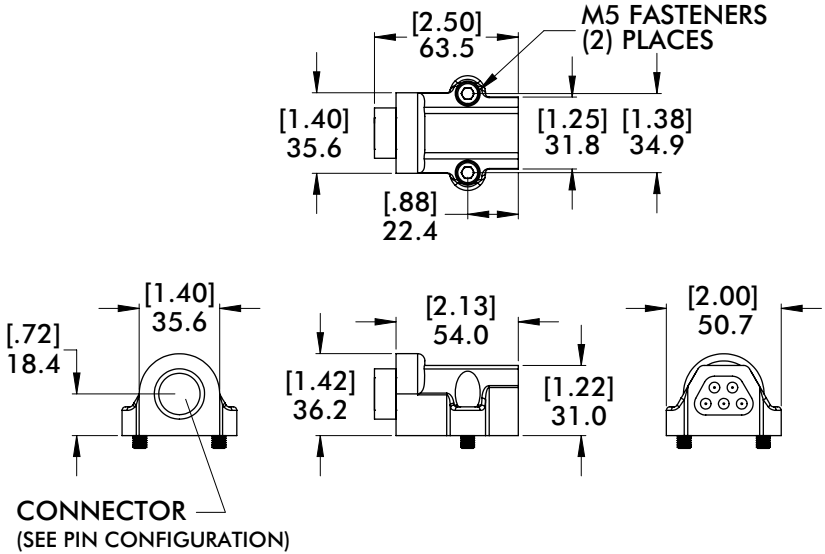
**CPI-BC-60-6-G18** (G1/8 ports)

## EL10 Mounting for Large Electric Connection

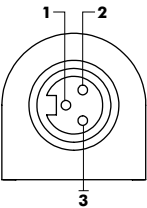


# ELECTRICAL CONNECTIONS

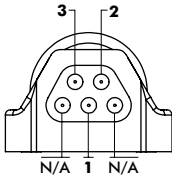
Manual Tool Changers | RDC-25/60 Series Bayonets | Dimensions



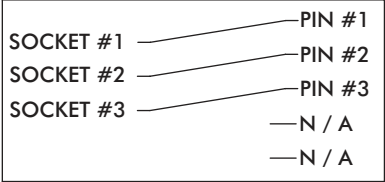
## 5 Pin Connectors for Bayonet (Tool Side)- Standard Pin Configurations



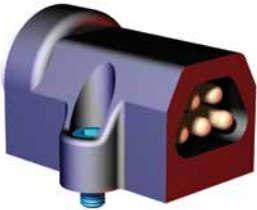
A-Side Socket



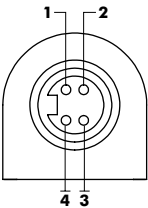
B-Side Pin



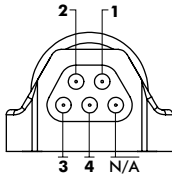
3-Pin to 5-Pin Connector	
A-Side	3-Pin, Single Key
B-Side	5-Pin, Male Pin, Female Plug



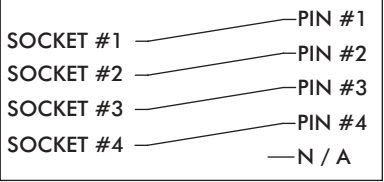
**MODEL NUMBER**  
**CPI-RDB-M5P-3B3**



A-Side Socket



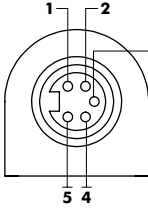
B-Side Pin



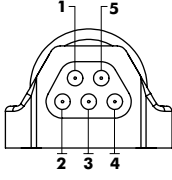
4-Pin to 5-Pin Connector	
A-Side	4-Pin, Single Key
B-Side	5-Pin, Male Pin, Female Plug



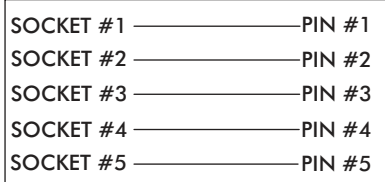
**MODEL NUMBER**  
**CPI-RDB-M5P-4B4**



A-Side Socket



B-Side Pin



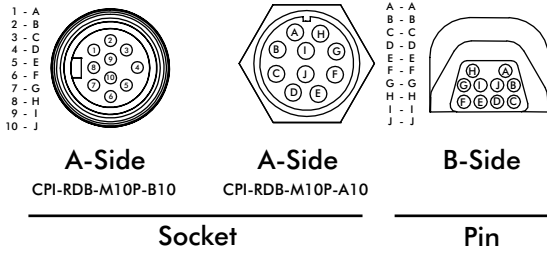
5-Pin to 5-Pin Connector	
A-Side	5-Pin, Single Key
B-Side	5-Pin, Male Pin, Female Plug



**MODEL NUMBER**  
**CPI-RDB-M5P-5B5**

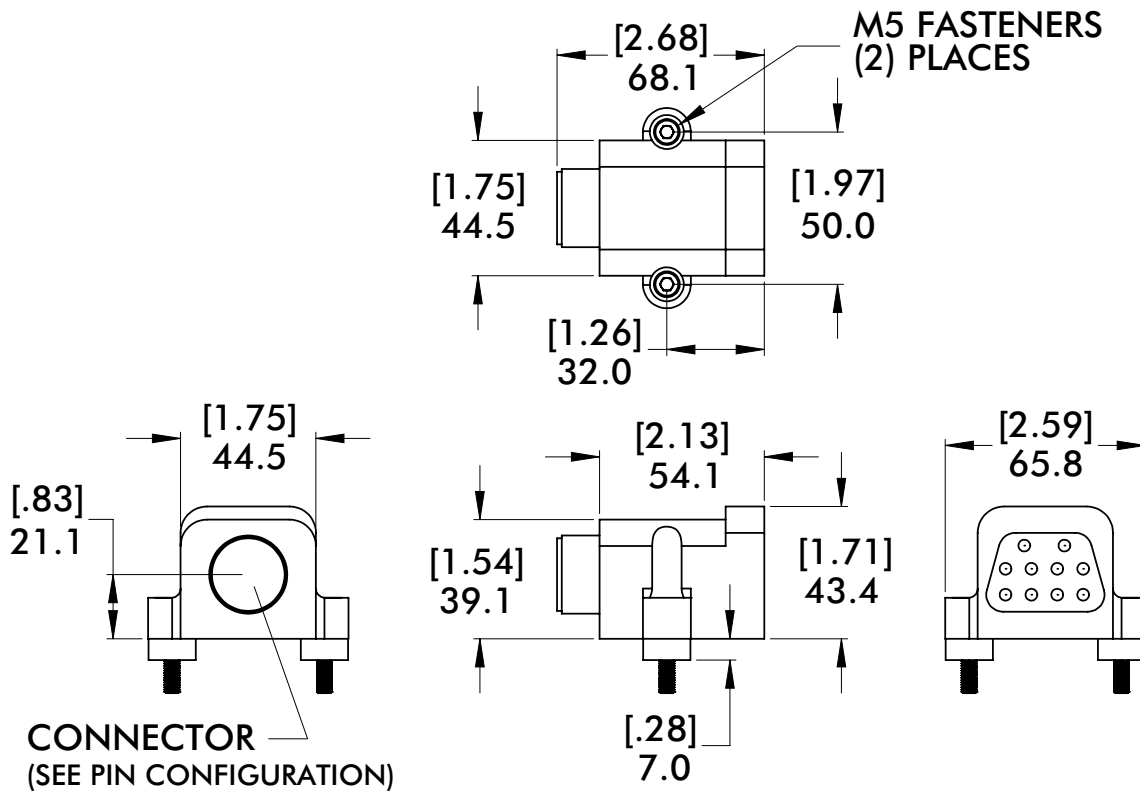
# ELECTRICAL CONNECTIONS

Manual Tool Changers | RDC-25/60 Series Bayonets | Dimensions



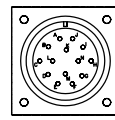
## 10 Pin Configuration

Model Number	A-Side	B-Side
<b>CPI-RDB-M10P-A10</b>	10-Pin	10-Pin, Male Pin,
<b>CPI-RDB-M10P-B10</b>	10-Pin	Female Plug

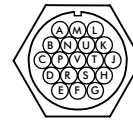


# ELECTRICAL CONNECTIONS

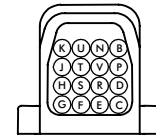
## Manual Tool Changers | RDC-25/60 Series Bayonets | Dimensions



A-Side  
CPI-RDB-M16P-A14



A-Side  
CPI-RDB-M16P-A19



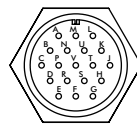
B-Side

Socket

Pin

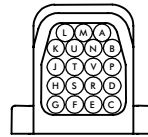
### 16 Pin Configuration

Model Number	A-Side	B-Side
<b>CPI-RDB-M16P-A19</b>	19-Pin	16-Pin, Male Pin, Female Plug
<b>CPI-RDB-M16P-A14</b>	14-Pin	



A-Side

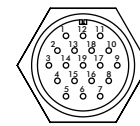
CPI-RDB-M19P-A19



B-Side

Socket

Pin



A-Side

CPI-RDB-M19P-B19

Socket

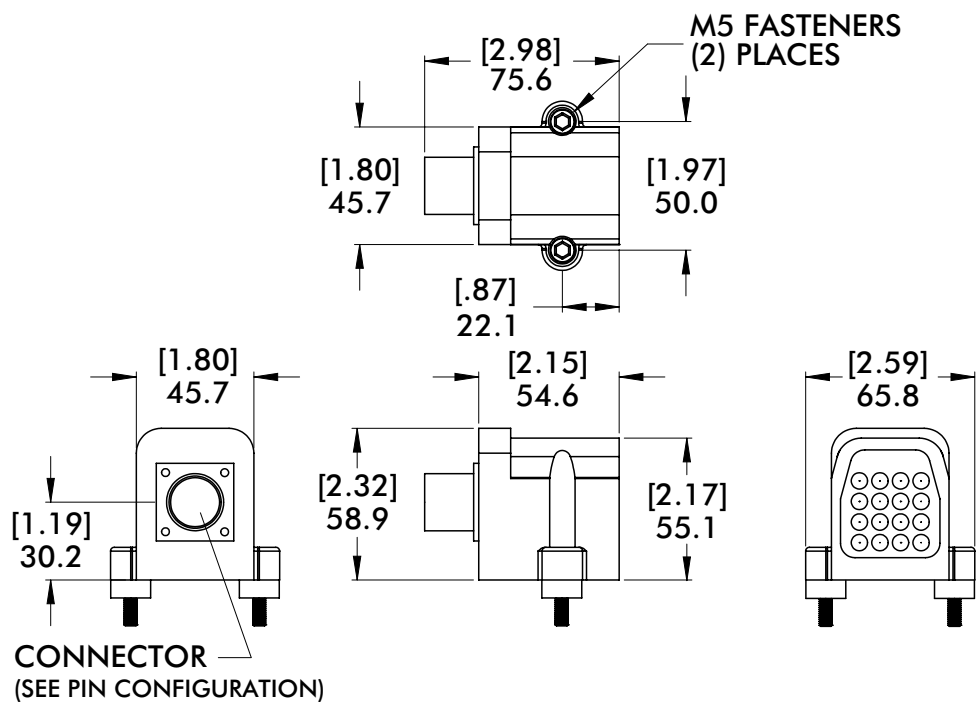


B-Side

Pin

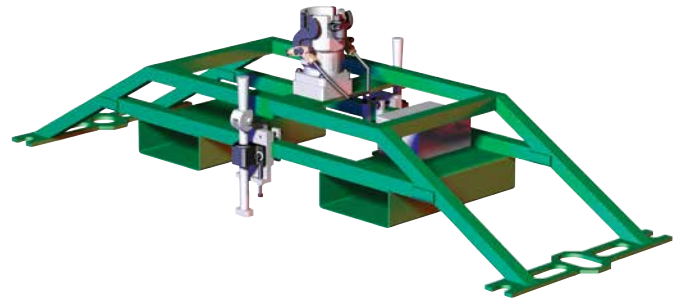
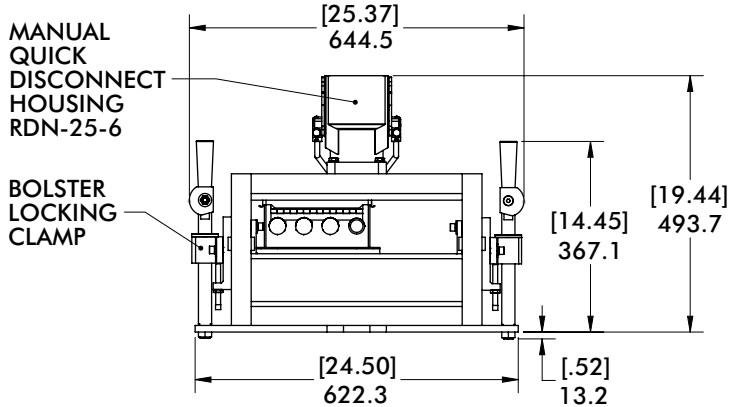
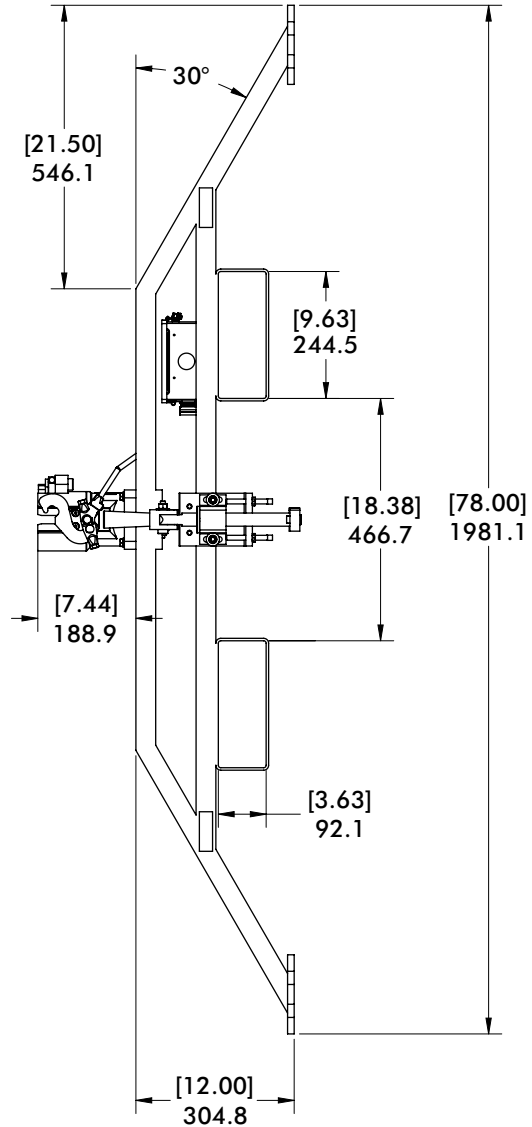
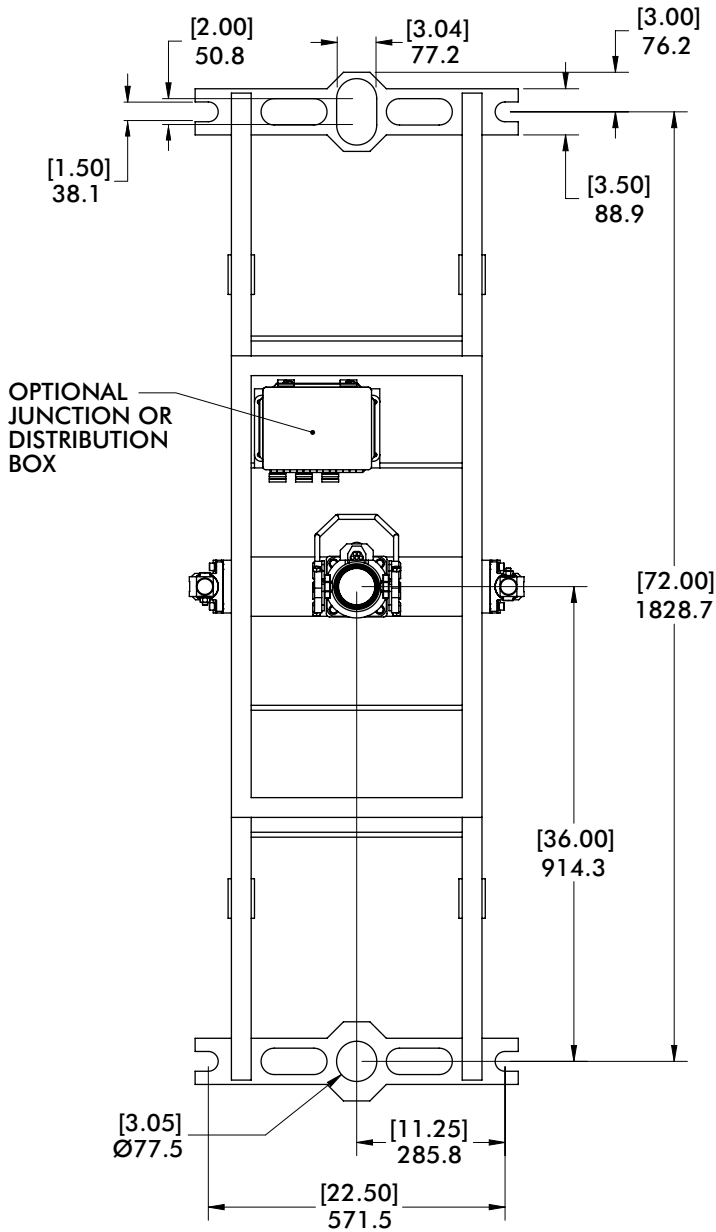
### 19 Pin Configuration

Model Number	A-Side	B-Side
<b>CPI-RDB-M19P-A19</b>	19-Pin	19-Pin, Male Pin, Female Plug
<b>CPI-RDB-M19P-B19</b>	19-Pin	

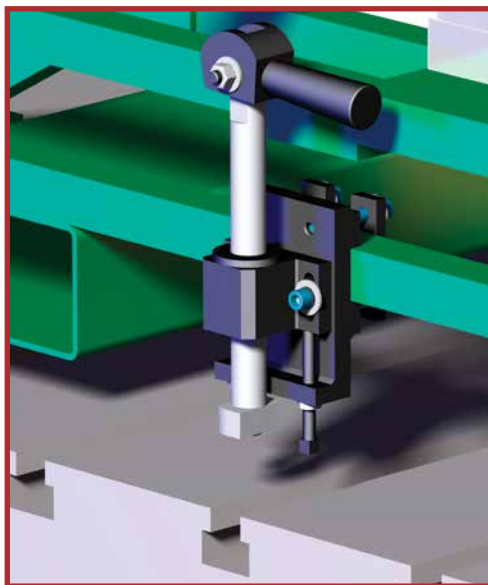
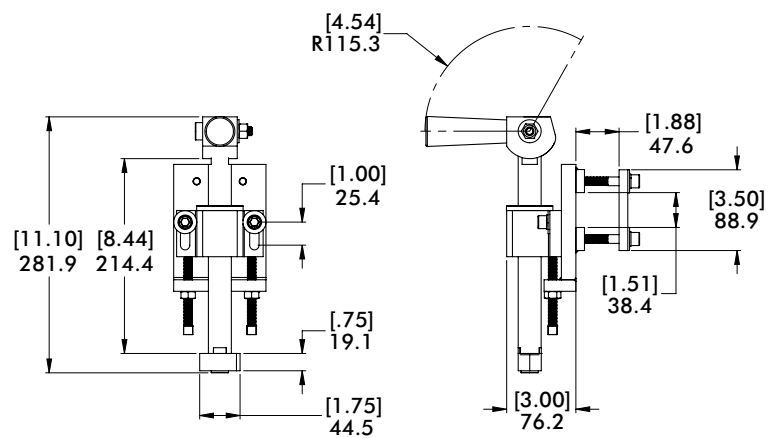
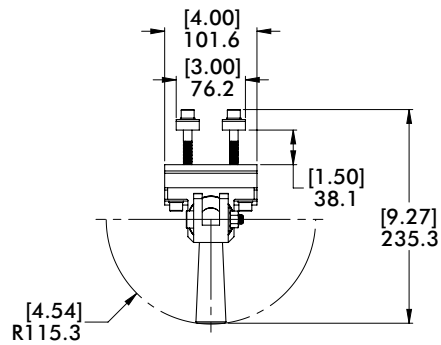


# IDLE STATION

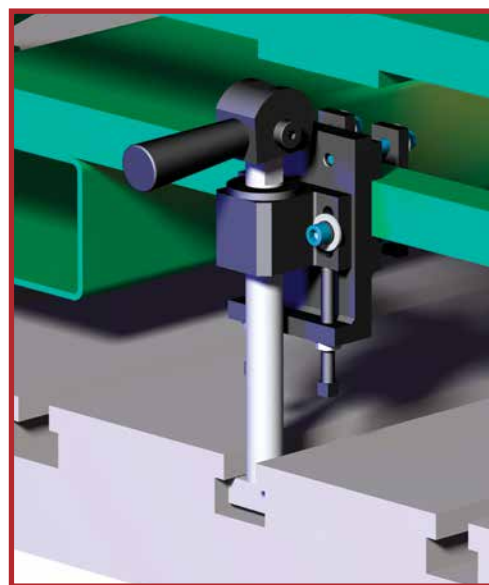
Automation Adaptors | (1) RDN-25-6 Disconnect Housings with Ability to be Fixed to Bolster | Dimensions



MODEL NUMBER	WEIGHT
CPI-PNS-ASSY	85.41 kg [188.30 lb]



Stored Position



In Use, Locked into Bolster

**MODEL NUMBER**

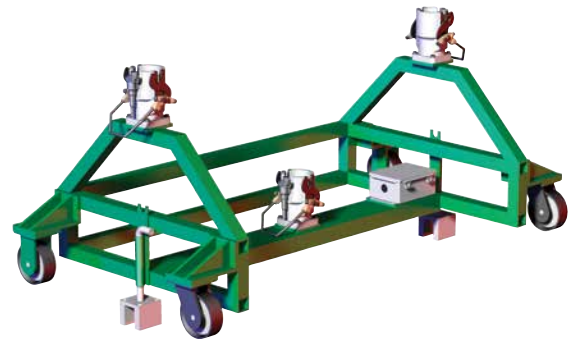
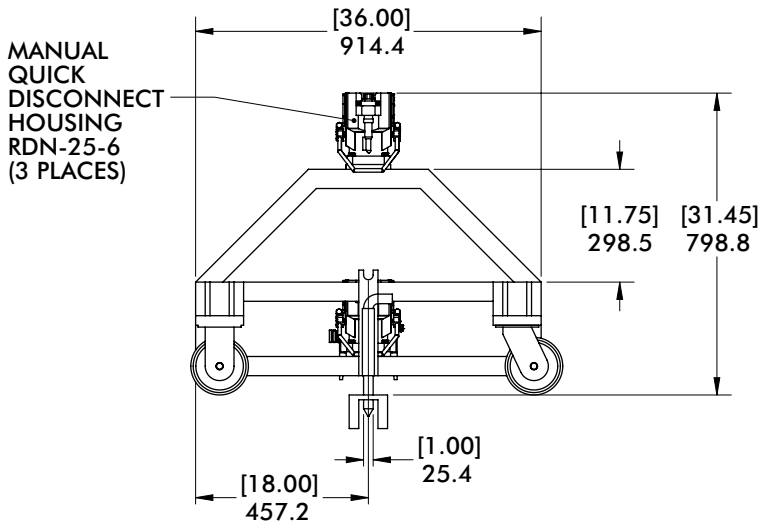
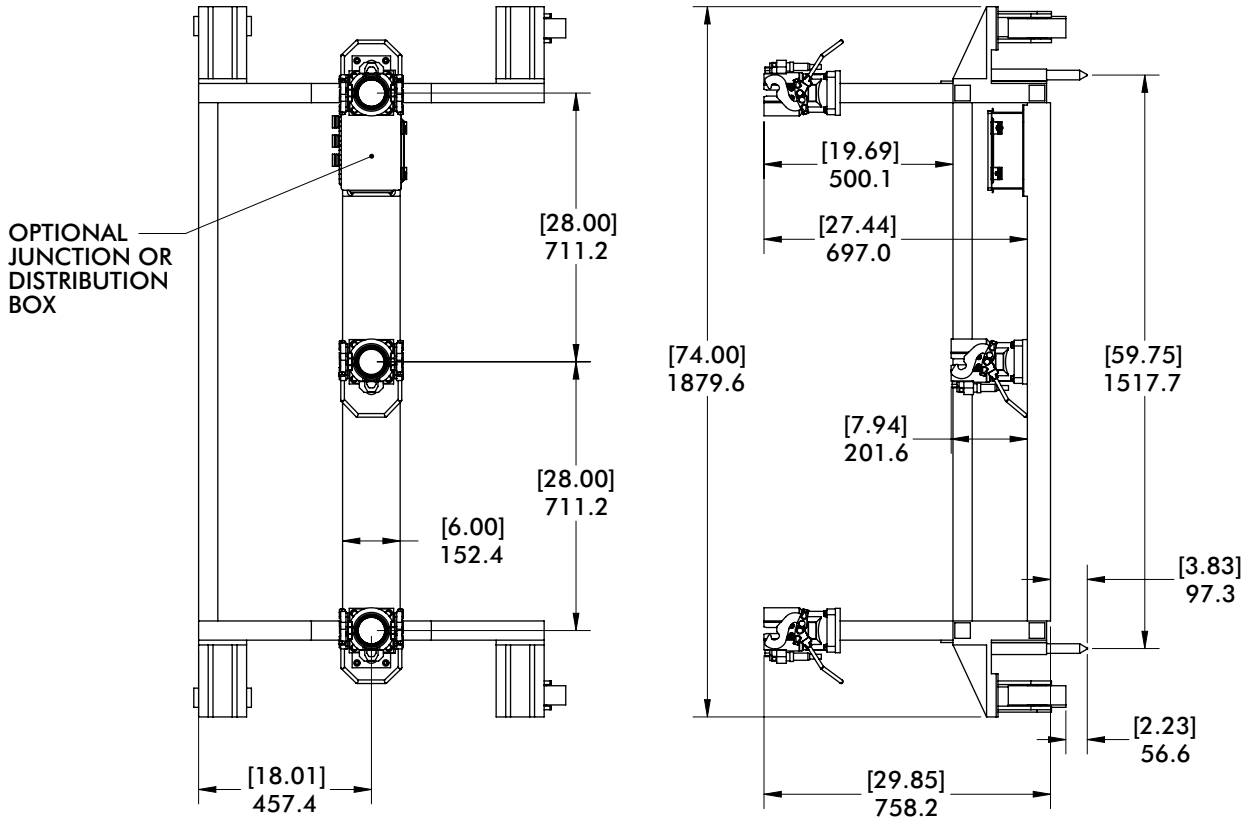
**WEIGHT**

**CPI-BLC-100-15-6**

5.50 kg [12.12 lb]

# IDLE STATION

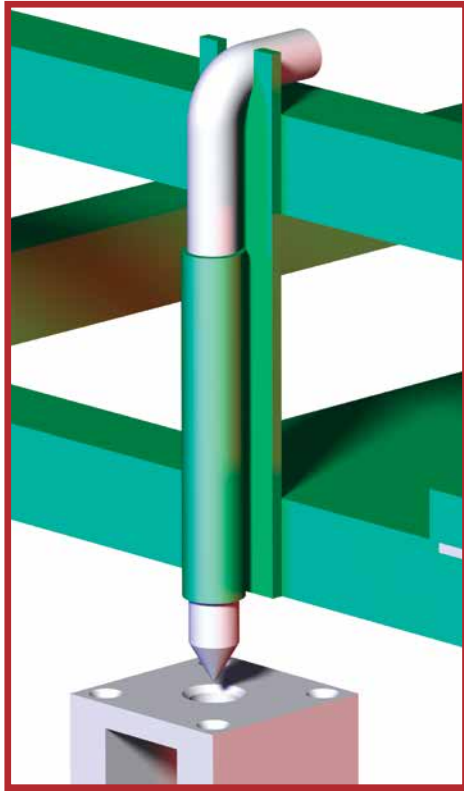
Automation Adaptors | (3) RDN-25-6 Disconnect Housings and Mobile Flexibility | Dimensions



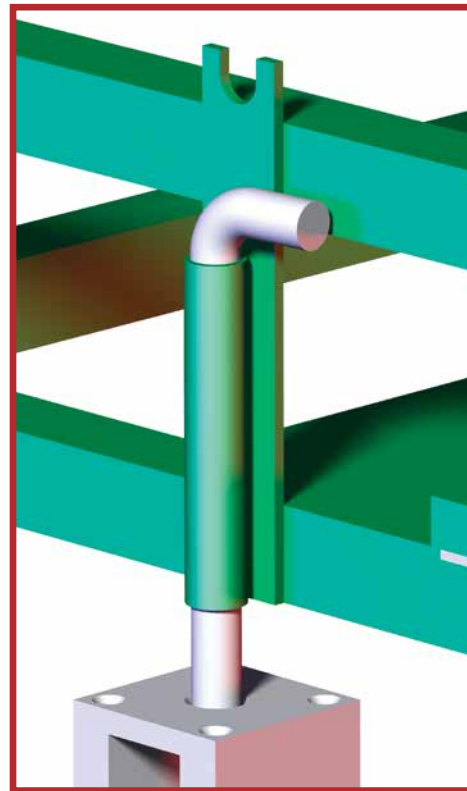
MODEL NUMBER	WEIGHT
CPI-INS-ASSY	182.67 kg [402.73 lb]

# LOCKING PINS IDLE STATIONS

Automation Adaptors | Locking Pin | Operating Procedure



Stored Position



Engaged Position