

DIE STORAGE BLOCKS, BASES AND ROLLERS

Die Components | Product Overview

DESTACO has developed special urethane compounds that have been incorporated into die storage blocks that were previously made using all steel construction. The use of DESTACO Urethane Die Storage Blocks greatly reduces scratching and damage to parts and die surfaces. Our Storage Blocks can mount directly to the die or, as an option, use our steel, double-hinge, swing-away bases.



Ball Bearing Cushion Rollers

DESTACO Rollers are designed to meet the high performance needs of the industrial market. Available in cushion design where maximum protection from shock loads is required and noise, scratch and dent free service is a necessity. Rollers are made of oil and cut resistant neoprene and nitrile material, molded in four color coded durometers and are offered with or without stud mounting. DESTACO rollers protect your products!



Standard
Roller



Roller
with Bolt

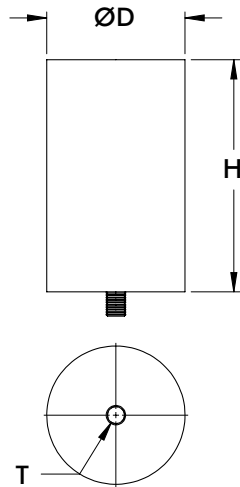
DIE STORAGE BLOCKS AND BASES

Die Components | Dimensions | Technical Specifications

Die Storage Blocks

Features:

- Made of long-lasting 80 durometer red urethane
- Can remain in place when die is used
- Imperial and metric threads available

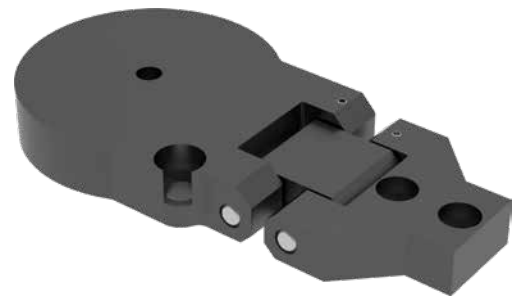
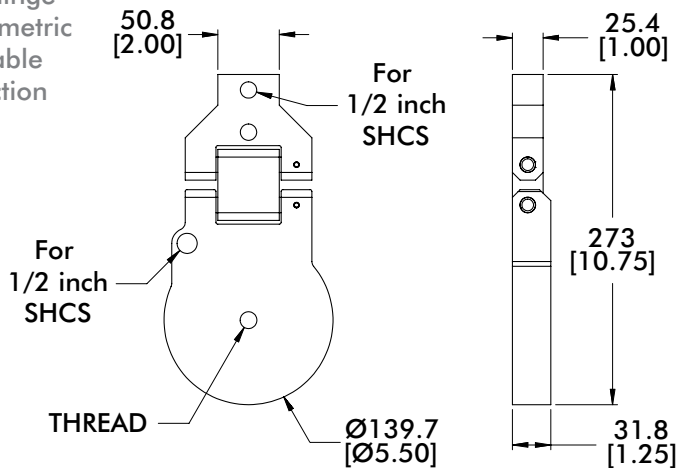


Model Number	D mm [in]	H mm [in]	T	Compressed Diameter mm [in]	Compressed Height mm [in]	Load Measured † [T]
CPI-50-400-20M	101.6 [4.00]	127.0 [5.00]	M20-2.5	120.7 [4.75]	79.5 [3.13]	4.5 [5.0]
CPI-55-450-A	114.3 [4.50]	139.7 [5.50]	5/8-11	130.2 [5.13]	101.6 [4.00]	6.8 [7.5]
CPI-65-350-20M	88.9 [3.50]	165.1 [6.50]	M20-2.5	114.3 [4.50]	127.0 [5.00]	4.5 [5.0]
CPI-65-450-20M	114.3 [4.50]		5/8-11	130.3 [5.13]	101.6 [4.00]	6.8 [7.5]
CPI-65-450-A	88.9 [3.50]	203.2 [8.00]	M16-2	Data Not Available	Data Not Available	Data Not Available
CPI-M-1443	114.3 [4.50]			Data Not Available	Data Not Available	Data Not Available

Die Storage Base

Features:

- Swing-out capability with double-hinge
- Imperial and metric threads available
- Steel construction



Model Number	Description	Thread
CPI-65-450-BASE-DH	Swing Away Base Double Hinged Only	5/8-11
CPI-65-450-BASE-DH-20M	Swing Away Base Double Hinged 20mm	M20-2.5

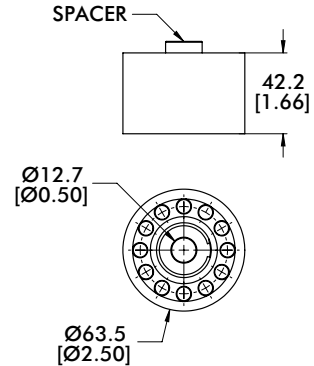
BALL BEARING CUSHION ROLLERS

Die Components | Dimensions | Technical Specifications

Ball Bearing Cushion Roller

Features:

- DESTACO Cushion Rollers are assembled with free rolling ball bearings so they can be mounted per customer application.
- The cushion design dissipates shock to avoid damaging fragile parts.
- One size with four color coded durometers are available for your applications.

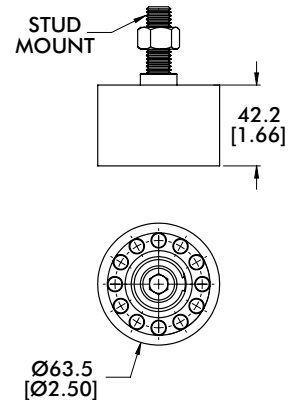


Model Number	Durometer	Color	Material Hardness	Normal Kg [lb]	Maximum Kg [lb]	Material	Weight g [lb]
CA-250-15	15	Tan	Soft	2.3 [5]	4.5 [10]	Neoprene	136 [0.3]
CA-250-30	30	Green	↕	4.5 [10]	9.1 [20]	Nitrile	
CA-250-45	45	Red		6.8 [15]	13.6 [30]		
CA-250-60	60	Black	Hard	9.1 [20]	18.1 [40]		

Ball Bearing Cushion Roller with Stud Mount

Features:

- DESTACO Stud Mounted Cushion Rollers are assembled with a bolt, nut and spacer for mounting to accessory brackets.



Model Number	Durometer	Color	Material Hardness	Recommended Load		Material	Weight g [lb]
				Normal Kg [lb]	Maximum Kg [lb]		
CPI-CA-250-15	15	Tan	↕	2.3 [5]	4.5 [10]	Neoprene	316 [0.7]
CPI-CA-250-15-ME	15						159 [0.35]
CPI-CA-250-15-NB	15	Green	↕	4.5 [10]	9.1 [20]	Nitrile	316 [0.7]
CPI-CA-250-30	30						
CPI-CA-250-45	45						
CPI-CA-250-60	60	Black	Hard	9.1 [20]	18.1 [40]		

Model Number	Spacer	Bolt	Nut	
CPI-CA-250-15	3/4 in. OD x 1/2 in. ID x 3/4 Length	SHCS 1/2-13 x 2 3/4	1/2-13 Locknut	
CPI-CA-250-15-ME		SHCS M12-1.75 x 90mm	M12 Hex Nylock	
CPI-CA-250-15-NB		No Bolt	No Nut	
CPI-CA-250-30				
CPI-CA-250-45			SHCS 1/2-13 x 2 3/4	1/2-13 Locknut
CPI-CA-250-60				

