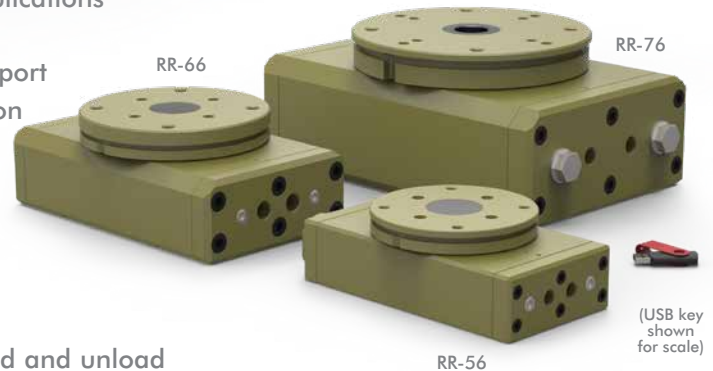


RR HEAVY-DUTY SERIES

Rotary Actuators | Features and Benefits | How To Order

Features:

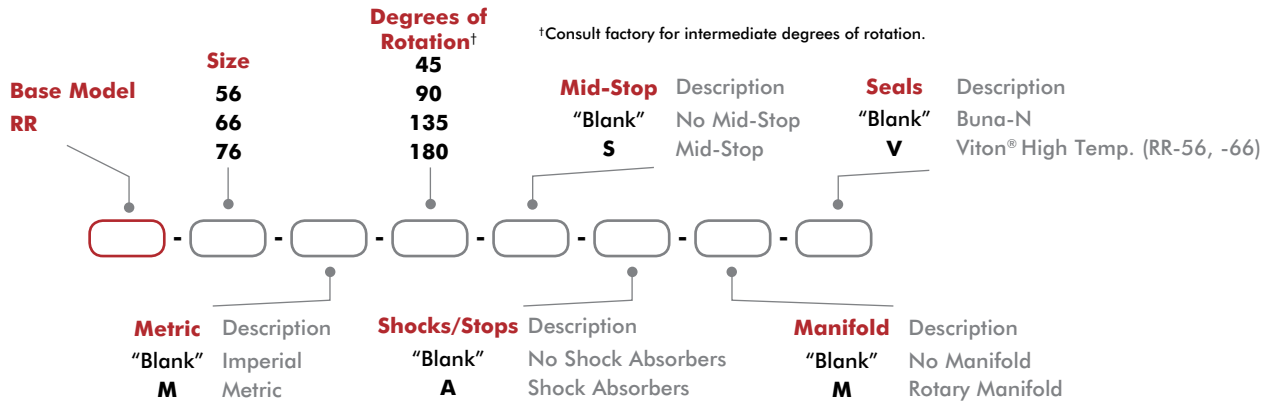
- Compact large capacity, high torque for tight space applications
- Use in heavy duty industrial and foundry applications
- Mount payload directly to flange without additional support
- Preloaded bearings for high repeatability rotary actuation
- Zero backlash & precision slip fit dowel pins
- Adjustable flow controls
- Optional manifold eliminates twisted airlines
- 3 position rotary with option mid-stop



Applications:

- Large torque application
- Foundry applications
- Load and unload

How To Order



Accessories

Sensor Accessories	Model Numbers	Part Number	Qty/Unit
Inductive Sensor Mounting Kit (mounts 2 sensors)	-56, -66	OSMK-075	1
Inductive Sensor Mounting Kit (mounts 2 sensors)	-76	OSMK-096	1
Magneto Resistive Sensor Mounting Kit (mounts 2 sensors)	-56, -66	OSMK-069	1
NPN Inductive Sensor with Quick Disconnect*	-56, -66	OISN-011	1-2
PNP Inductive Sensor with Quick Disconnect*	-56, -66	OISP-011	1-2
NPN Inductive Sensor with Quick Disconnect*	-76	OISN-017	1-2
PNP Inductive Sensor with Quick Disconnect*	-76	OISP-017	1-2
NPN Magneto Resistive Sensor with Quick Disconnect*	-56, -66	OHSN-017	1-2
PNP Magneto Resistive Sensor with Quick Disconnect*	-56, -66	OHSP-017	1-2
Quick Disconnect 2 Meter Cable Length*	-56, -66	CABL-010	1-2
Quick Disconnect 5 Meter Cable Length*	-56, -66	CABL-013	1-2
Quick Disconnect 2 Meter Cable Length*	-76	CABL-014	1-2
Quick Disconnect 5 Meter Cable Length*	-76	CABL-018	1-2

Pneumatic Accessories	Model Numbers	Part Number	Qty/Unit
1/4 NPT Flow Controls (Imperial)	-56	VLVF-009	2
G 1/4 BSPP Flow Controls	-56	VLVF-010	2
3/8 Flow Control (Imperial)	-66, -76	VLVF-011	2
G 3/8 BSPP Flow Control	-66, -76	VLVF-012	2
Adapter 1/8 NPT to G 1/8	-76	PLFT-028	1
Adapter 3/8 NPT to G 3/8	-76	PLFT-029	1

*Sensor and cable sold separately.

RR HEAVY-DUTY SERIES

Rotary Actuators | Technical Specifications

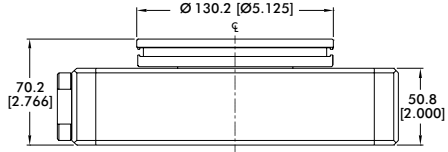
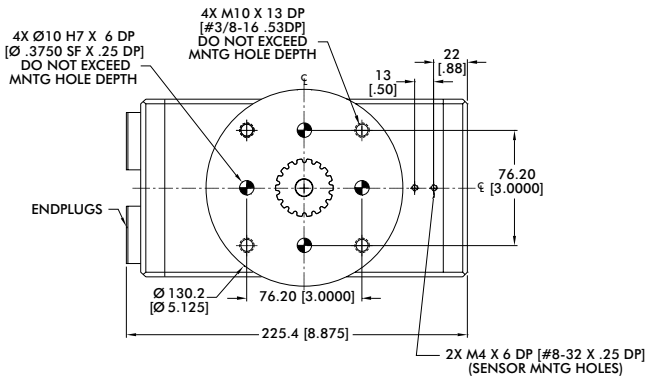
Specifications	Units	56	66	76
Maximum Payload [†]	kg [lb]	13.6 [30]	34 [75]	91 [200]
Maximum Payload Inertia [†]	Nm sec ² [in-lbs sec ²]	0.02880 [0.2549]	0.11584 [1.0251]	0.5596 [4.95]
Maximum Rotation		180°		
Maximum Torque Mid-Stroke @ 100psi/7 bar	Nm [lbs-in]	35 [311]	82 [728]	215 [1900]
Maximum Torque End-Stroke @ 100psi/7 bar	Nm [lbs-in]	17 [155]	41 [364]	107 [950]
Weight (base unit)	kg [lb]	5.3 [11.6]	11.8 [26]	24 [53]
Weight Adder for Mid-Position Stop	kg [lb]	0.82 [1.8]	0.82 [1.8]	3.8 [8.3]
Weight Adder for Rotary Manifold	kg [lb]	0.54 [1.2]	0.36 [0.82]	2.0 [4.2]
Pressure Range	bar [psi]	3-7 [40-100]		
Ingress Protection Class (IP)		IP55		
Displacement	cm ³ [in ³]	160.1 [9.77]	375 [22.8]	1026 [62.6]
Displacement of Mid-Position Stop	cm ³ [in ³]	90.16 [5.502]	60.32 [2.375]	885 [54]
Temperature Range (Buna-N seals)		0°~66° [-32°~150°]		
Temperature Range (Viton® seals)	°C [°F]	0°~66° [-32°~150°]		
Actuation Time (180° @ 100psi/7 bar)	sec	0.48	0.70	1.4
Actuation Time (90° @ 100psi/7 bar)	sec	0.40	0.50	0.8
End-Stop Repeatability		±0.02°		
Mid-Stop Repeatability		±0.5°		
End-Stop Adjustability*		30°	20°	
Over Travel (each end)		4°		
Valve required to actuate		4-way, 2-position		
Valve required to actuate Mid-Stop		3-way, 2-position		

[†] Max. payload based on -A shock option.

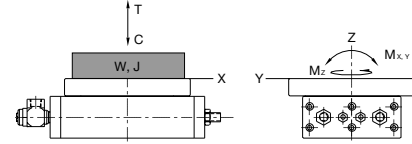
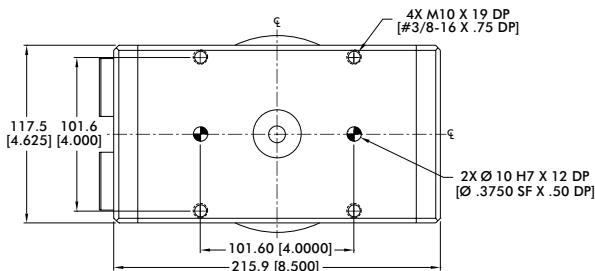
*Any adjustment of the End Stop Adjustment Screw must be accompanied by an equal adjustment of the Shock Absorbers to prevent bottoming of the pistons against the Shock Absorbers.

RR-56

Rotary Actuators | Dimensions and Technical Specifications

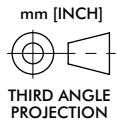
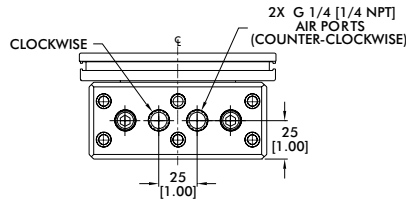


UNIT SHOWN IN 0° POSITION ROTATED FULLY CW



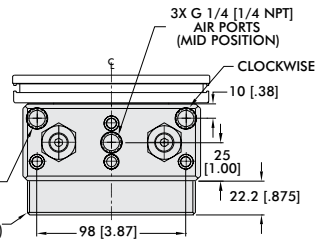
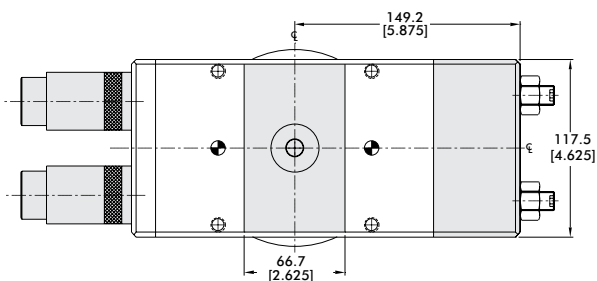
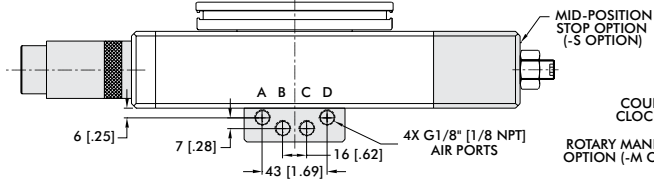
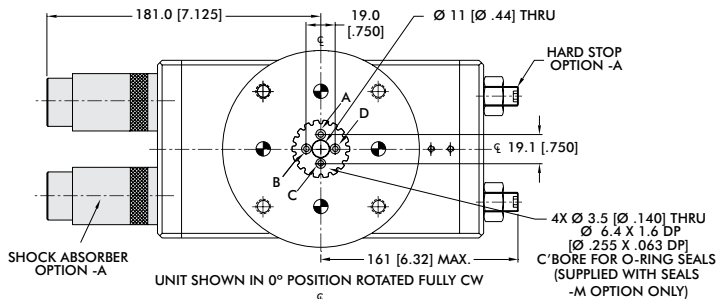
RR-56 Loading information	Static
Maximum Tensile T	3559 N [800 lbs]
Maximum Compressive C	8896 N [2000 lbs]
Maximum Moment M_x	113 Nm [1000 in-lbs]
Maximum Moment M_y	113 Nm [1000 in-lbs]
Maximum Payload W[†]	13.64 kg [30 lbs]
Maximum Inertia J[†]	0.0288 N-m-sec ² [0.2549 in-lbs-sec ²]

[†]Max. payload based on -A shock option.

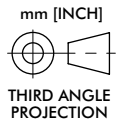


Base Unit Seal Repair Kits	Order #
Buna-N Seal Repair Kit	SLKT-124
Viton® Seal Repair Kit	SLKT-124V

Options Dimensions

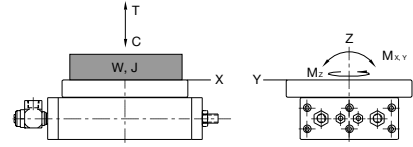


MID-POSITION STOP VIEW SHOWN



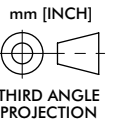
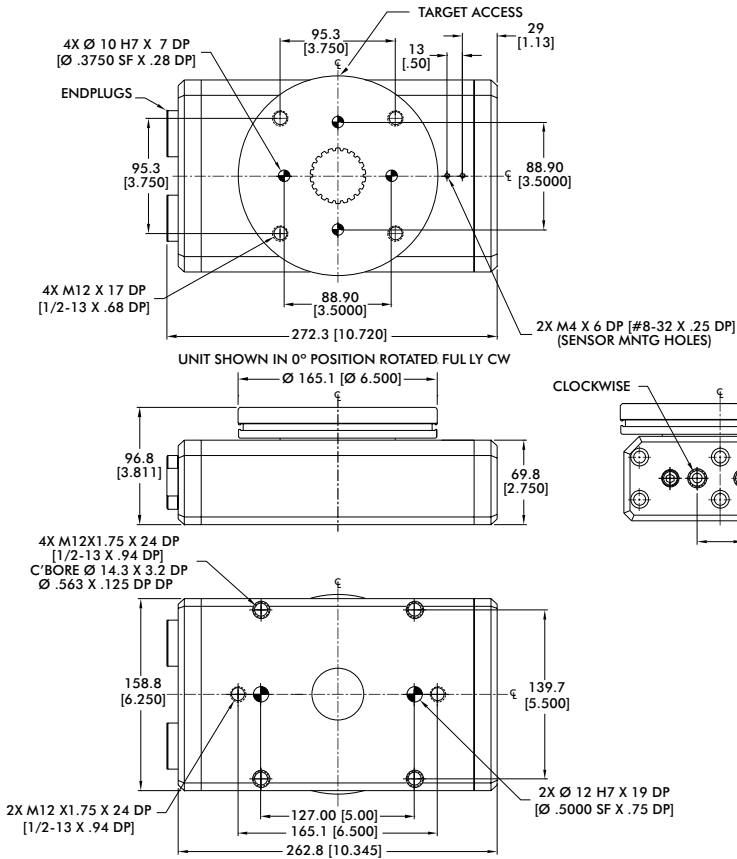
Options Seal Repair Kits		Order #
Buna-N Manifold Seal Repair Kit	-M	SLKT-126
Viton® Manifold Seal Repair Kit	-M-V	SLKT-126V
Buna-N Mid-Stop Seal Repair Kit	-S	SLKT-127
Viton® Mid-Stop Seal Repair Kit	-S-V	SLKT-127V
Buna-N Shock Seal Repair Kit	-A	SLKT-125
Viton® Shock Seal Repair Kit	-A-V	SLKT-125V

Rotary Actuators | Dimensions and Technical Specifications



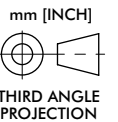
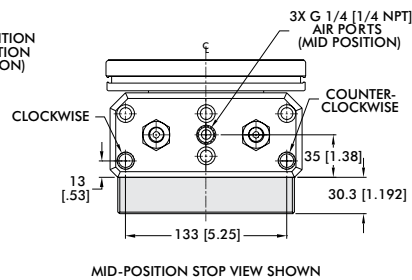
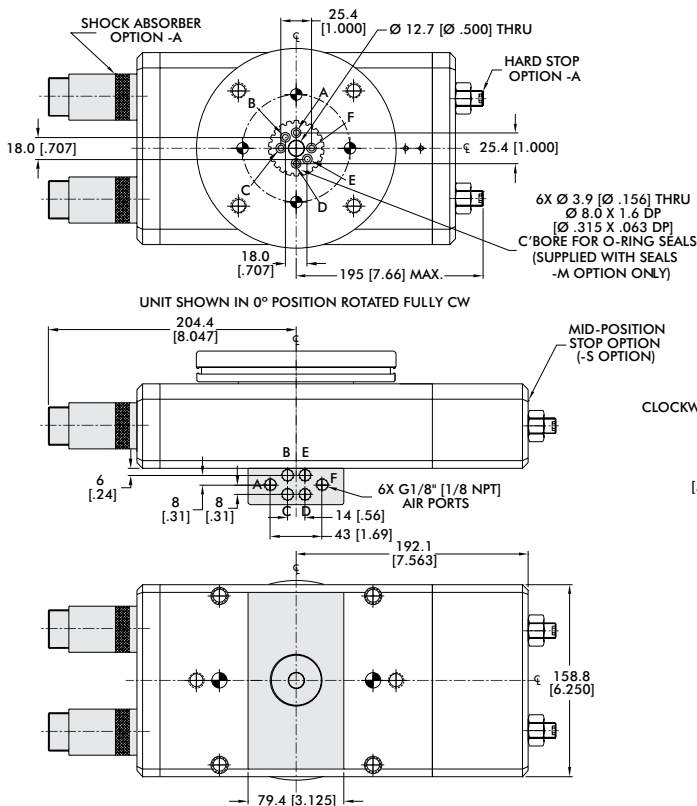
RR-66 Loading Information	Static
Maximum Tensile T	4448 N [1000 lbs]
Maximum Compressive C	15569 N [3500 lbs]
Maximum Moment M_x	226 Nm [2000 in-lbs]
Maximum Moment M_y	226 Nm [2000 in-lbs]
Maximum Payload W[†]	34 kg [75 lbs]
Maximum Inertia J[†]	0.1158 N-m-sec ² [1.025 in-lbs-sec ²]

[†]Max. payload based on -A shock option.



Base Unit Seal Repair Kits	Order #
Buna-N Seal Repair Kit	SLKT-128
Viton® Seal Repair Kit	SLKT-128V

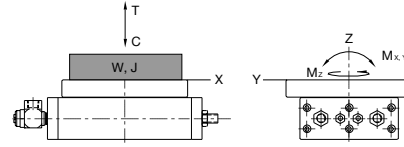
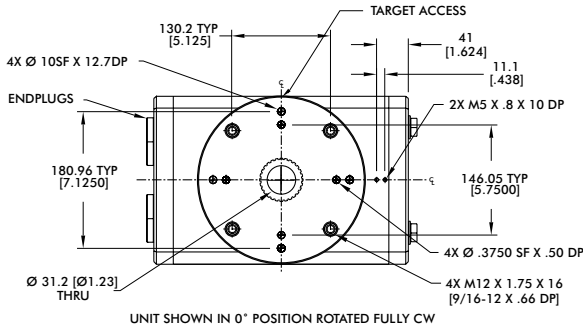
Options Dimensions



Options Seal Repair Kits	Order #	
Buna-N Manifold Seal Repair Kit	-M	SLKT-130
Viton® Manifold Seal Repair Kit	-M-V	SLKT-130V
Buna-N Mid-Stop Seal Repair Kit	-S	SLKT-131
Viton® Mid-Stop Seal Repair Kit	-S-V	SLKT-131V
Buna-N Shock Seal Repair Kit	-A	SLKT-129
Viton® Shock Seal Repair Kit	-A-V	SLKT-129V

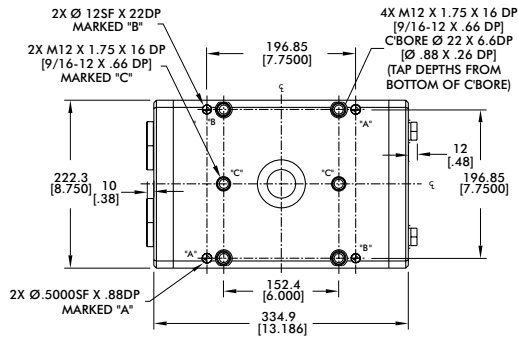
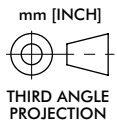
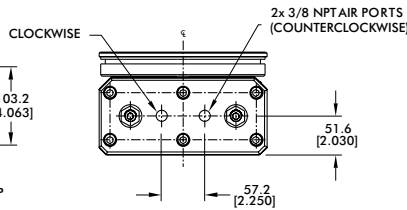
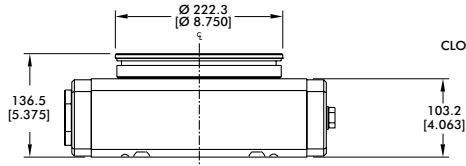
RR-76

Rotary Actuators | Dimensions and Technical Specifications



RR-76 Loading Information	Static
Maximum Tensile T	8896 N [2000 lbs]
Maximum Compressive C	20017 N [4500 lbs]
Maximum Moment M_x	452 Nm [4000 in-lbs]
Maximum Moment M_y	452 Nm [4000 in-lbs]
Maximum Payload Wⁱ	91 kg [200 lbs]
Maximum Inertia Jⁱ	0.5596 N-m-sec ² [4.952 in-lbs-sec ²]

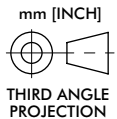
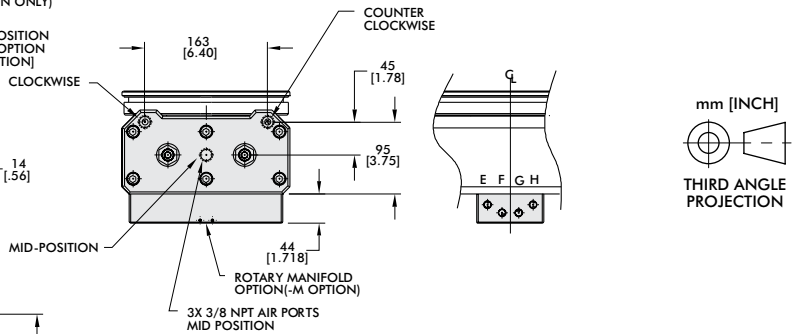
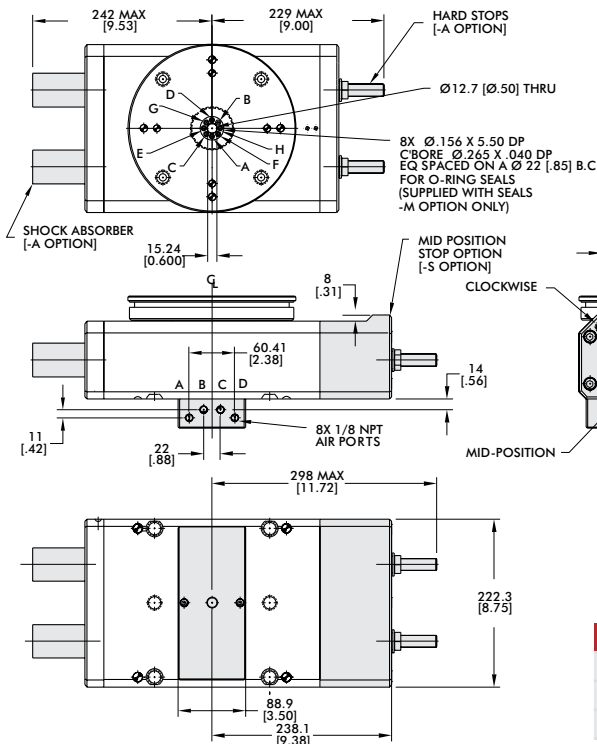
ⁱ Max. payload based on -A shock option.



Note: Shock Absorbers "Option -A" are recommended for all applications. All specifications provided are with this option.

Base Unit Seal Repair Kits	Order #
Viton® Seal Repair Kit	SLKT-167V

Options Dimensions



Options Seal Repair Kits	Order #
Viton® Manifold Seal Repair Kit	-M SLKT-169V
Viton® Mid-Stop Seal Repair Kit	-S SLKT-168V
Buna-N Shock Seal Repair Kit	-A SLKT-179