

DRF SERIES

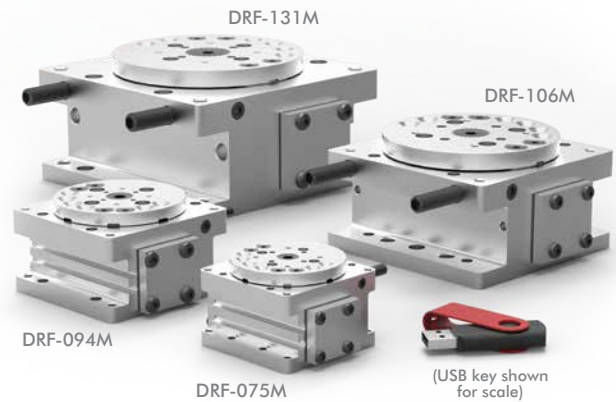
Rotary Actuators | Features and Benefits | How To Order

Features:

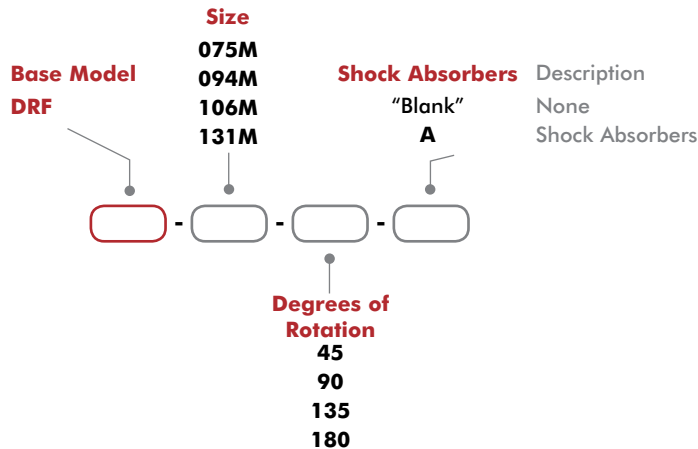
- Use for precision end stop positioning applications
- Zero Backlash Applications
- Full Torque at end of stroke
- Multiple turntable options for tool mounting
- Rotational adjustments of 45°, 90°, 135°, 180°
- Extremely rugged design for long term reliability
- Optional shock absorbers for end stop deceleration

Applications:

- Product loading
- Part orientation
- Heavy payloads compact space



How To Order



Accessories

Turntable Accessories	Model Numbers	Part Number	Qty/Unit
Blank Turntable	See Datasheet		1
DIRECTCONNECT™ Turntable	See Datasheet		1

Sensor Accessories	Model Numbers	Part Number	Qty/Unit
NPN Magneto Resistive Sensor with Quick Disconnect*	All Models	OHSN-017	1-2
PNP Magneto Resistive Sensor with Quick Disconnect*	All Models	OHSP-017	1-2
NPN Magneto Resistive Sensor 90° Barrel with Quick Disconnect*	All Models	OHSN-011	1-2
PNP Magneto Resistive Sensor 90° Barrel with Quick Disconnect*	All Models	OHSP-011	1-2
Quick Disconnect 2 Meter Cable Length*	All Models	CABL-010	1-2
Quick Disconnect 5 Meter Cable Length*	All Models	CABL-013	1-2

Pneumatic Accessories	Model Numbers	Part Number	Qty/Unit
Fitting Push-in Straight G1/8, 6mm O.D. Tube	131M	PLFT-038	1-2
Fitting Push-in Straight G1/8, 8mm O.D. Tube	131M	PLFT-045	1-2
Flow Control Push-in 90° Elbow M5-6mm O.D. Tube**	075M, 094M, 106M	VLVF-008	1-2
Flow Control Push-in 90° Elbow G1/8-6mm O.D. Tube**	131M	VLVF-005	1-2

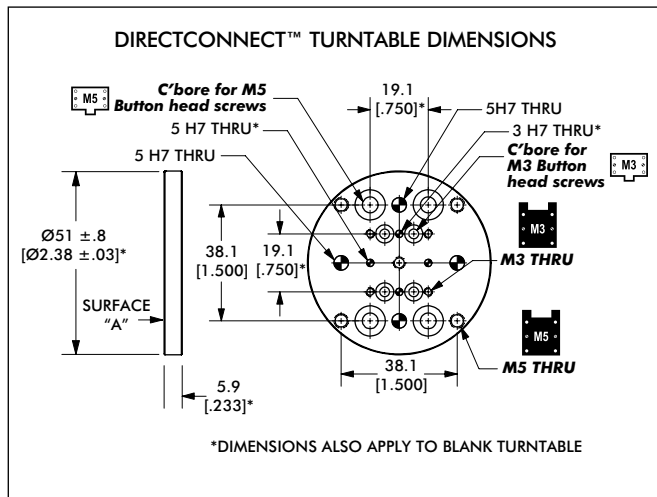
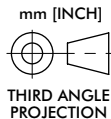
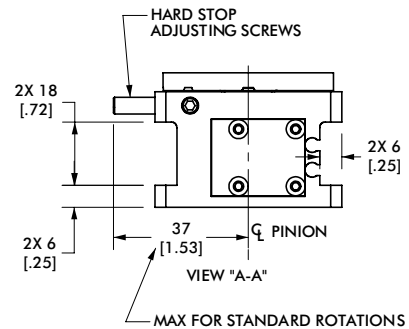
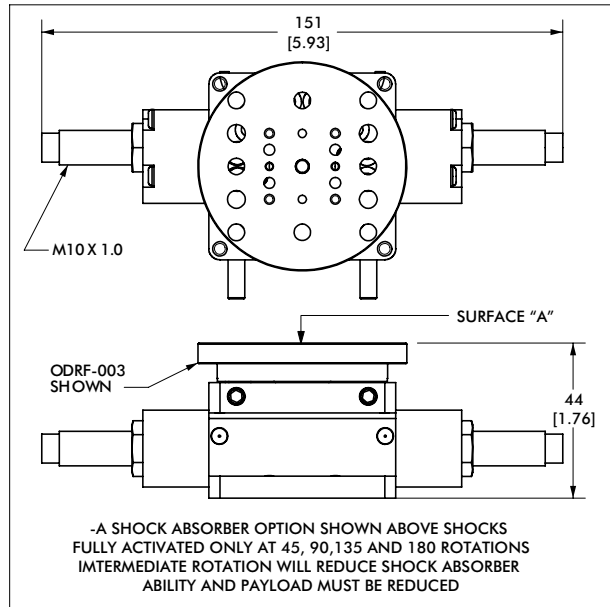
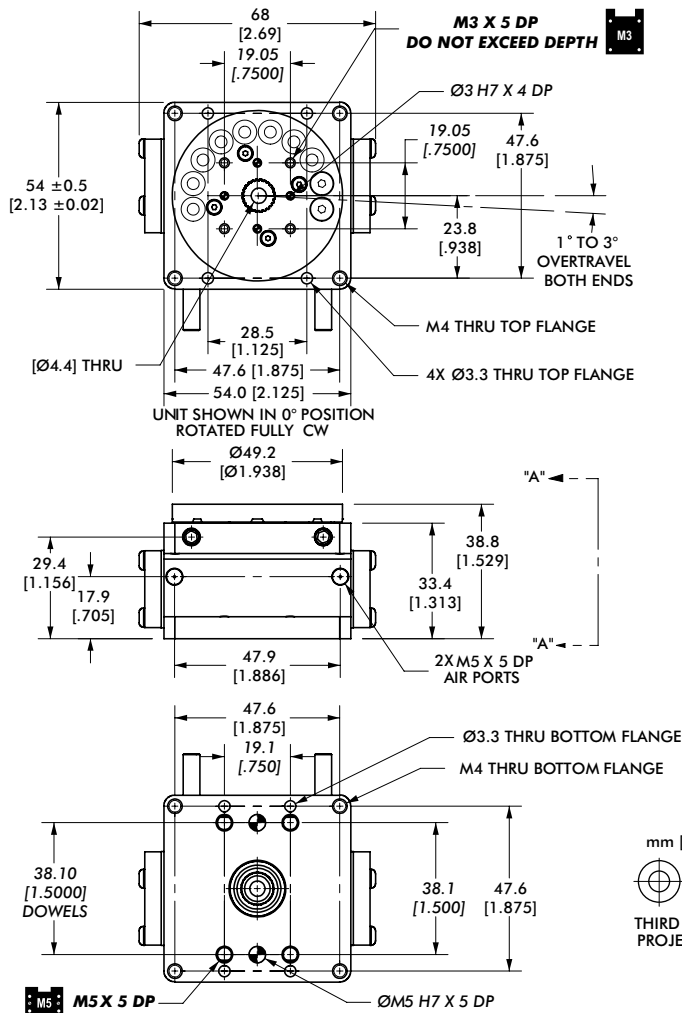
* Sensor and cable sold separately. **Flow Controls recommended for most applications

Specifications	Units	075M	094M
Maximum Payload with Shocks (-A option)	kg [lb]	0.45 [1.0]	1.4 [3.0]
Maximum Payload without Shocks	kg [lb]	0.23 [0.5]	0.68 [1.5]
Maximum Payload Inertia with Shocks (-A option)	Nm sec ² [in-lbs sec ²]	1.8 X 10 ⁴ [0.0016]	1.3 X 10 ³ [0.0111]
Maximum Payload Inertia without Shocks	Nm sec ² [in-lbs sec ²]	9.0 X 10 ⁵ [0.0008]	6.3 X 10 ⁴ [0.0056]
Maximum Torque @ 100psi/7 bar	Nm [lbs-in]	0.9 [8.3]	1.9 [17.3]
Maximum Rotation		180°	
Pitch Diameter of Pinion	mm [in]	9.5 [0.375]	12.7 [0.500]
Weight with Shocks (-A option)	kg [lb]	0.34 [0.72]	0.64 [1.4]
Weight without Shocks	kg [lb]	0.24 [0.54]	0.50 [1.1]
Pressure Range	bar [psi]	3-7 [40-100]	
Ingress Protection Class (IP)		IP54	
Displacement (180°)	cm ³ [in ³]	5.1 [0.31]	9.0 [0.55]
Actuation Time (180° @ 100psi/7 bar)	sec	0.38	
Actuation Time (90° @ 100psi/7 bar)	sec	0.29	
Over Travel (each end)		1°-3°	
Temperature Range with Shocks (-A option)	°C [°F]	-0°~66° [-32°~150°]	
Temperature Range without Shocks	°C [°F]	-35°~82° [-30°~180°]	
End Stop Adjustability (each end)		23°	
Repeatability		±0.02°	
Valve required to actuate		4-way, 2-position	

Specifications	Units	106M	131M
Maximum Payload with Shocks (-A option)	kg [lb]	3.6 [8.0]	6.8 [15]
Maximum Payload without Shocks	kg [lb]	1.8 [4.0]	3.4 [7.5]
Maximum Payload Inertia with Shocks (-A option)	Nm sec ² [in-lbs sec ²]	4.7 X 10 ³ [0.0414]	1.1 X 10 ² [0.0970]
Maximum Payload Inertia without Shocks	Nm sec ² [in-lbs sec ²]	2.3 X 10 ³ [0.0207]	5.5 X 10 ³ [0.0485]
Maximum Torque @ 100psi/7 bar	Nm [lbs-in]	3.8 [33.2]	7.6 Nm [67.6]
Maximum Rotation		180°	
Pitch Diameter of Pinion	mm [in]	19.1 [0.750]	25.4 [1.000]
Weight with Shocks (-A option)	kg [lb]	1.4 [3.1]	3.1 [6.8]
Weight without Shocks	kg [lb]	1.1 [2.5]	2.9 [6.3]
Pressure Range	bar [psi]	3-7 [40-100]	
Ingress Protection Class (IP)		IP54	
Displacement (180°)	cm ³ [in ³]	19.0 [1.16]	34.6 [2.11]
Actuation Time (180° @ 100psi/7 bar)	sec	0.60	0.87
Actuation Time (90° @ 100psi/7 bar)	sec	0.45	0.68
Over Travel (each end)		1°-3°	
Temperature Range with Shocks (-A option)	°C [°F]	-0°~66° [-32°~150°]	
Temperature Range without Shocks	°C [°F]	-35°~82° [-30°~180°]	
End Stop Adjustability (each end)		23°	
Repeatability		±0.02°	
Valve required to actuate		4-way, 2-position	

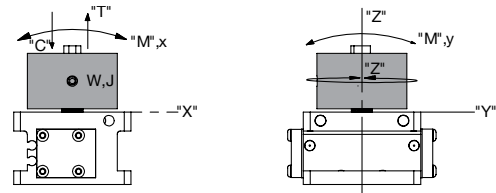


Rotary Actuators | Dimensions and Technical Specifications



Rotary Accessories	Order #
Blank Turntable	ODRF-002
DIRECTCONNECT™ Turntable	ODRF-004

Seal Repair Kits	Order #
Buna-N Seal Repair Kit	SLKT-210
Buna-N Shock Seal Repair Kit	SLKT-214



DRF-075M Loading Information	Static
Maximum Tensile T	44 N [10 lbs]
Maximum Compressive C	89 N [20 lbs]
Maximum Moment M_x	2.3 Nm [20 in-lbs]
Maximum Moment M_y	2.3 Nm [20 in-lbs]
Maximum Payload W	0.45 kg [1.0 lbs]
Maximum Inertia J	$1.8 \times 10^{-4} \text{ N-m-sec}^2$ [0.0016 in-lbs-sec ²]

Note: Higher payloads and inertia possible with external shocks and stops.

