

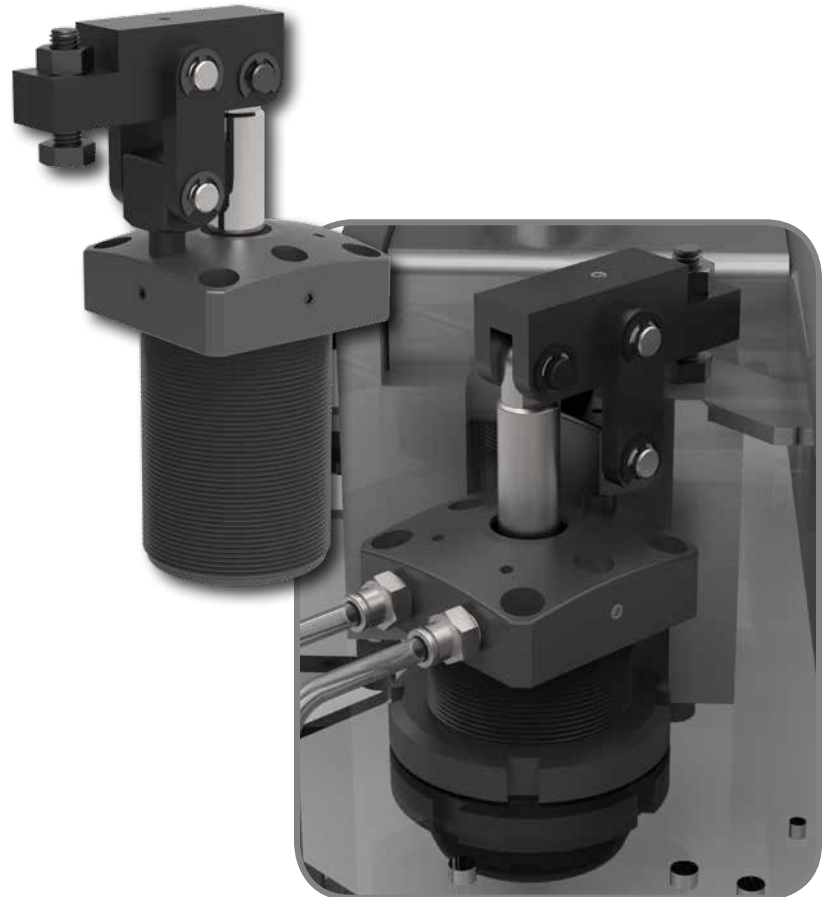
The Right Clamp for Tight Spaces

8700 Series Pneumatic Lever Clamps

DESTACO's new 8700 series pneumatic lever clamp is a lightweight, space-saving alternative to traditional pneumatic toggle and swing clamps, giving fixture builders a reliable option for tight spaces.

While it delivers up to 25 percent more clamping force than comparably sized swing clamps, the 8700 series lever clamp does not lock like a toggle clamp. This means it can accommodate materials with differing thicknesses. The clamp's lever design provides a consistent clamping force on materials that have up to 3.8 mm of variation, depending on clamp size.

The 8700 series lever clamp fills a gap in DESTACO's previous line of industry-leading workholding products, offering versatility, a compact profile and a lightweight body.



Product Highlights/Options

- Alloy steel pivot points with anti-rotate feature
- Self-lubricating bearings at pivot points
- Four bore sizes are available for virtually any application

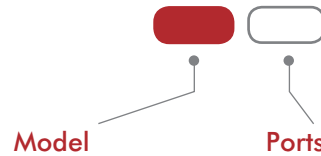
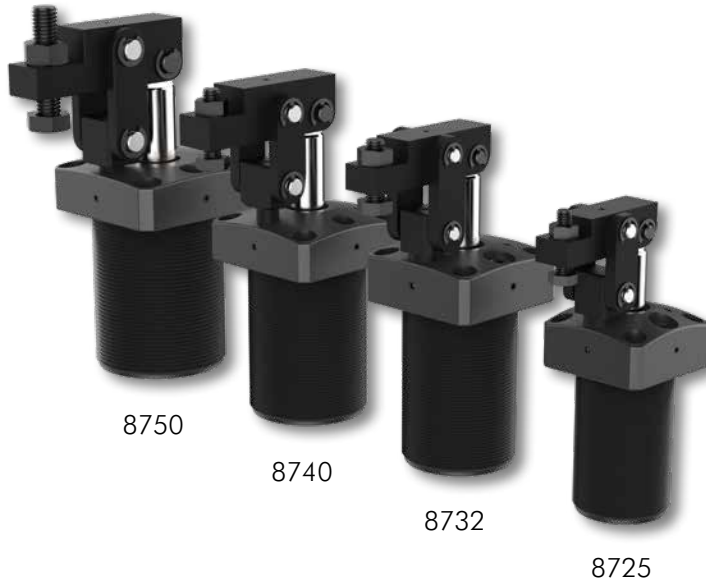


HOLD DOWN

Features, Markets and Applications

<p>INTERCHANGEABLE</p>	<ul style="list-style-type: none"> • Lever arm can be positioned left, forward, or right within the same clamp body • Convenient mounting using the upper flange or through a clearance hole using optional jam nuts 	<p>INDUSTRIAL</p>	<p>ASSEMBLY</p>
<p>PERFORMANCE</p>	<ul style="list-style-type: none"> • Consistent clamping force over a range of part thickness • Up to 25% more clamping force than comparably sized swing clamps 	<p>CONSUMER GOODS</p>	<p>FIXTURE AND TEST</p>
<p>COMPACT SIZE</p>	<ul style="list-style-type: none"> • Clamp arm arcs up and out of the way in a single plane • Clamp arm remains completely within the clamp's footprint while in the open position 	<p>TRANSPORTATION</p>	<p>WELDING</p> <p>CNC MACHINING</p>

8700 Series Pneumatic Lever Clamps



Model	Ports
8725 25mm bore	Blank Standard ports
8732 32mm bore	G G-1/8 ports
8740 40mm bore	
8750 50mm bore	

Clamping Motion



The 8700 series pneumatic lever clamp features an arm that arcs up and out of the way on a single plane. Since the arm does not rotate to the side like a swing clamp, it remains completely within the clamp's footprint while in the open position. This helps to eliminate interference with adjacent components on crowded fixtures.

Adjustable Arm Positions



The 8700 series' lever arm can be positioned facing left, right or forward within the same clamp body for flexibility.

Upper Flange Mount



The 8700 series lever clamp also features standard mounting holes on the upper flange for traditional mounting.

Threaded Body Mount†



The threaded body provides the option to thread the clamp through an opening in the fixture with optional mounting nuts for easy height adjustment.

†Shown with optional mount nuts

Dimensions and technical information are subject to change without notice.

GERMANY
+49-6171-705-0
europe@destaco.com

FRANCE
Tel: +33-4-7354-5001
france@destaco.com

UNITED KINGDOM
+44-1902-797980
uk@destaco.com

SPAIN
+34-936361680
spain@destaco.com

NETHERLANDS
+31-297285332
benelux@destaco.com

CHINA
+86-21-6081-2888
china@destaco.com

THAILAND
+66-2-326-0812
asia@destaco.com

INDIA
+91-80-41123421-426
india@destaco.com

USA
+1-888-DESTACO
+1-248-836-6700
northamerica@destaco.com