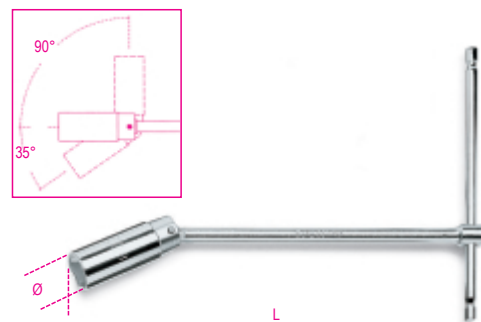


ISO 11168



art.	art.	mm - "	D mm	L mm	g
009570000	957 16	16	21,4	275	300
009570001	957 20,8	20,8	27,0	275	340